

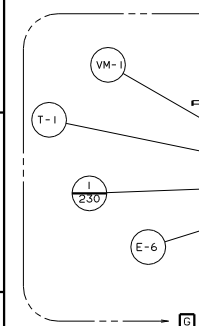
DWG NO	UNIT	
127080-01	G32W0	G
127080-02	F32W0	F

- SHOWER INSTL-ENCLOSURE 126586-05-000
- 126586-06-000
- DRAIN 120981-01-CHT (US)
- STRAINER-TUB 66729-01-000 (CAN)
- STRAINER-TUB 66729-01-000
- SEALER 69640-01-000
- NUT-SLIP 66436-01-000
- WASHER 69735-01-000
- TAIL-PIECE 11069-02-000

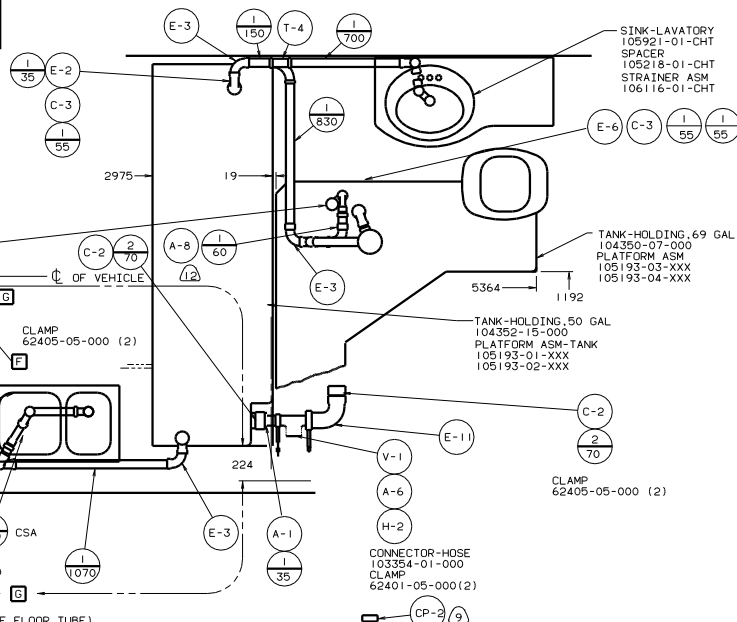
- SINK-SST, DOUBLE 110654-01-CHT (US/CAN)
- 104113-01-000 (US/CAN)
- STRAINER 92303-01-000 (2)
- SEAL 69640-01-000
- RETAINER 105497-01-000 (2)
- 105497-02-000 (4)
- SCREW 667-06-10U (22)

- CLAMP 62405-05-000 (2)
- TANK-HOLDING, 69 GAL 104350-07-000
- PLATFORM ASM 105193-01-XXX
- 105193-04-XXX
- CONNECTOR-HOSE 103354-01-000
- CLAMP 62401-05-000 (2)

FRONT AXLE



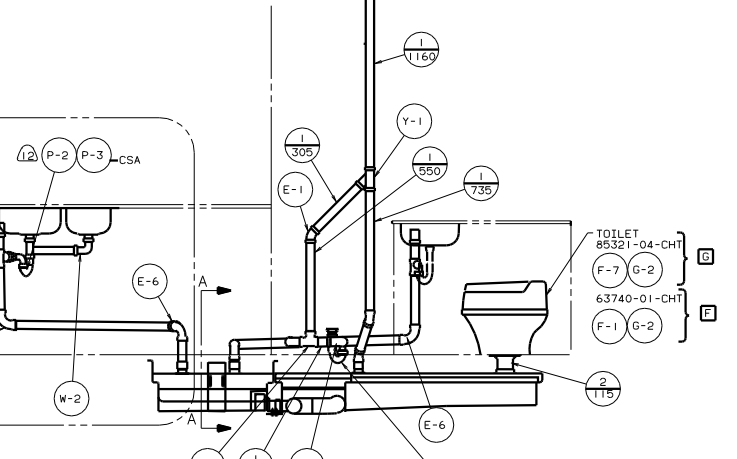
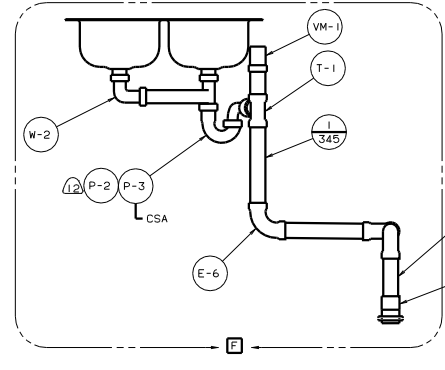
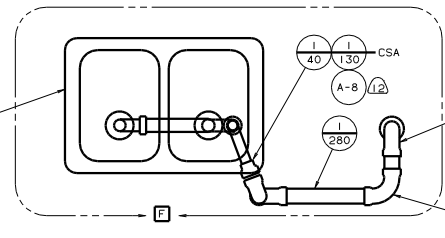
- TRIM P-TRAP EXTENSION TO FIT.
- SECURE VENT TUBES TO FLOOR WITH BRACKET 95061-01-000 (2), CLAMP 62401-02-000, PLATE COVER 94346-03-000, SCREW 667-10-12B (2), AND STAPLE 5403-03-000.
- VENT PIPE MUST PROJECT 51 MM MIN AND 63.5 MM MAX ABOVE ROOF FOR PROPER FIT AND FUNCTION.
- SEE DWG 61607-01-000 FOR INSTL OF GROMMETS.
- SEAL ALL AROUND SHOWER WITH SILICONE.
- FOR CAN UNITS EACH HOLDING TANK SHALL HAVE A CSA APPROVAL STAMPED NEAR THE IAMPO APPROVAL.
- EXPOSED PIPE ABOVE ROOF TO BE PAINTED 37163-01-000.
- ALL EXTERIOR OPENINGS AROUND PIPE TO BE SEALED WITH 110744-01-000.
- ALL PIPE AND FITTINGS TO BE ASSEMBLED WITH SOLVENT 4020-01-000.
- SLOPE OF TRAP ARM MUST BE 6 PER 305.
- SLOPE OF HORIZONTAL PIPING TO BE 6 PER 305 MIN.



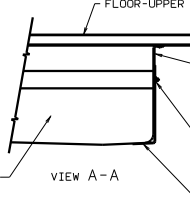
- SINK-SST, DOUBLE 104113-01-000 (US/CAN)
- STRAINER 95303-01-000 (2)
- SEAL 69640-01-000
- RETAINER 105497-01-000 (2)
- 105497-02-000 (4)
- SCREW 667-06-10U (22)

- TANK-HOLDING, 69 GAL 104350-07-000
- PLATFORM ASM 105193-01-XXX
- 105193-04-XXX
- CLAMP 62405-05-000 (2)

- CONNECTOR-HOSE 103354-01-000
- CLAMP 62401-05-000 (2)

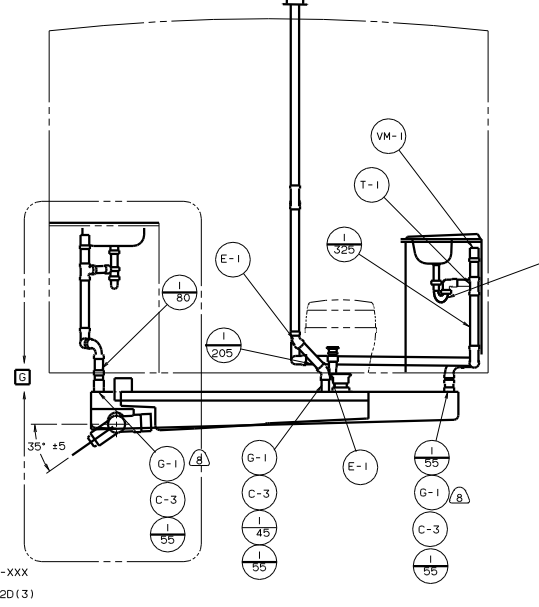


- TOILET 85321-04-CHT
- 63740-01-CHT
- F-1 G-2
- F-7 G-2



VIEW A-A

- BRACKET 94756-03-XXX
- SCREW 639-10-12D (3)
- NUT D39-05-00B (2)
- BRACKET-SUPPORT 111316-01-000

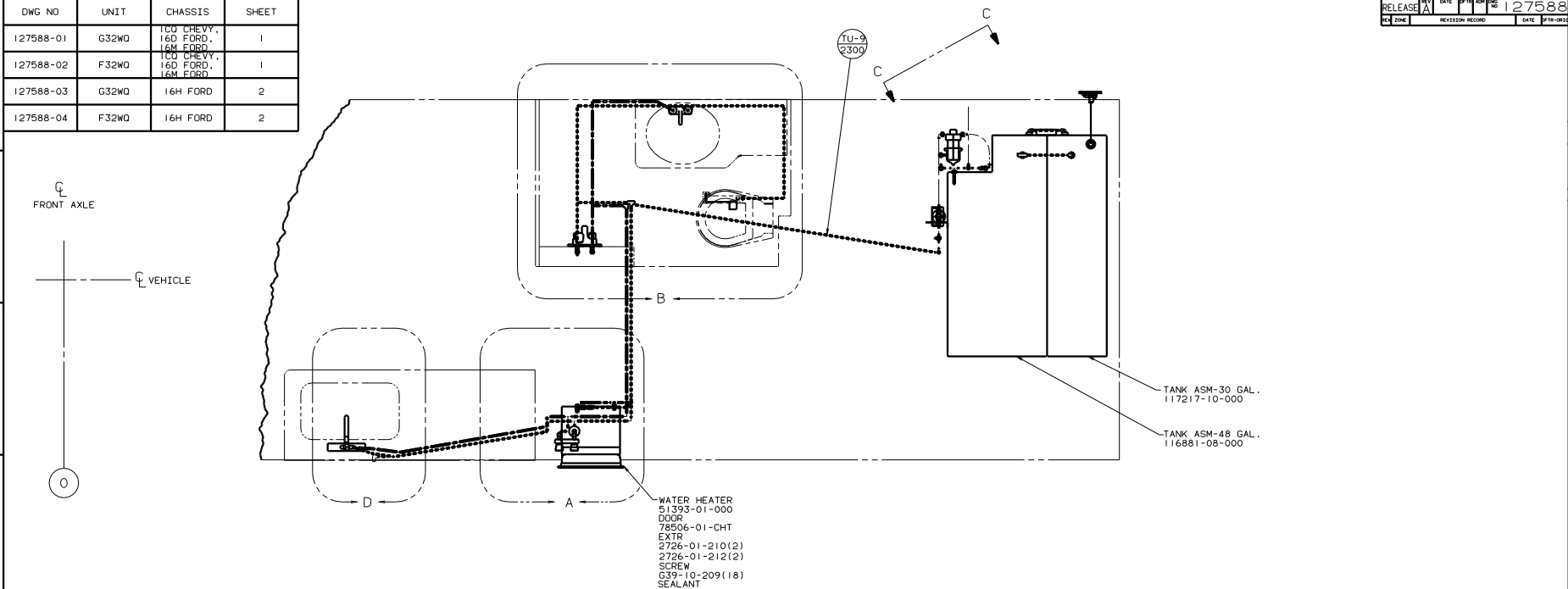


FOR DRAINAGE CALLOUTS SEE DWG NO. 116229-01-000

WINNEBAGO		98 F&G32W0	
DATE	DATE	UNDESIGNED TOLERANCES ARE:	MATERIAL
DATE	DATE	WHOLE DIM (3)	
DATE	DATE	ONE-PLACE (16.2)	
DATE	DATE	TWO-PLACE (16.2)	
DATE	DATE	MILL	
DATE	DATE	TWO PLACE	
DATE	DATE	THIRD WHOLE	
DATE	DATE	PRODUCTION	

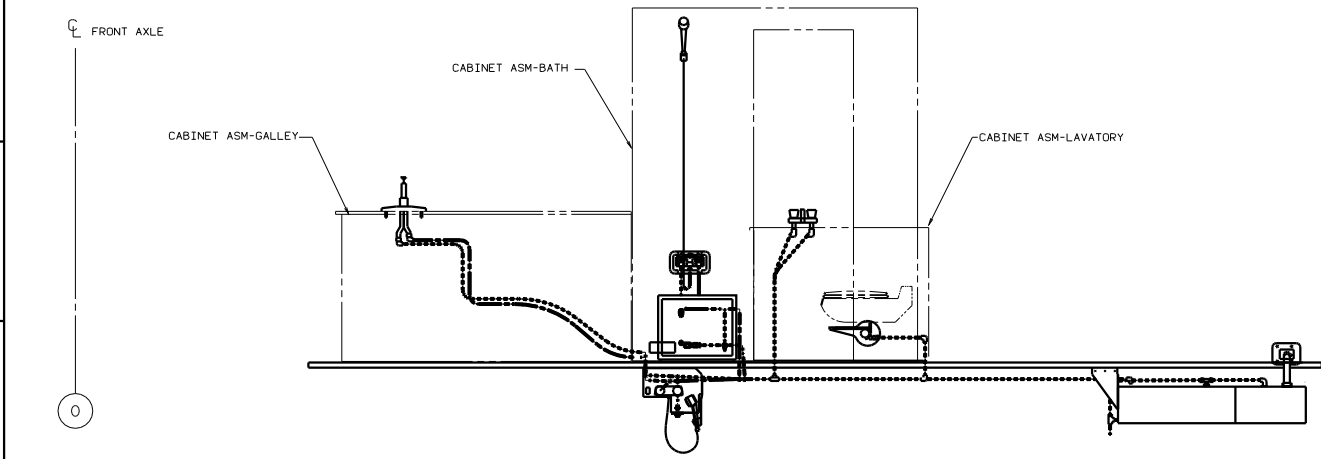
DWG NO: G32W08
 TITLE: DRAINAGE SYSTEM INSTL
 SHEET 1 OF 1
 REF: 115921 K 1
 DATE: 127080

DWG NO	UNIT	CHASSIS	SHEET
127588-01	G32WD	1CU CHEVY. 16H FORD.	1
127588-02	F32WD	1CU CHEVY. 16H FORD.	1
127588-03	G32WD	16H FORD	2
127588-04	F32WD	16H FORD	2



WATER HEATER
 51393-01-000
 DOOR
 78506-01-CHT
 EXTR
 2726-01-210(2)
 2726-01-212(2)
 SCREW
 G39-10-209(18)
 SEALANT

TANK ASM-30 GAL.
 117217-10-000
 TANK ASM-48 GAL.
 116881-08-000



- 6) LOCATE CUTOUT TO SUPPORT WATER HEATER.
 - 5) BRACKET FLANGE TO BE FLUSH WITH TOP OF CHASSIS RISERS.
 - 4) CLAMP MUST BE ON BARBS.
3. ALL TUBING TO BE SECURED AT 1200 INTERVALS MAX WITH CLAMP 10495-01-000 OR CLIP 91951-01-000 AND SCREW G67-10-12B.
2. TUBING TO BE INSTALLED WITH SUFFICIENT SLOPE TO PROVIDE DRAINAGE TO NEAREST VALVE.
1. PLASTIC FITTINGS TO BE SEALED WITH SEALANT 84456-01-000.

LEGEND

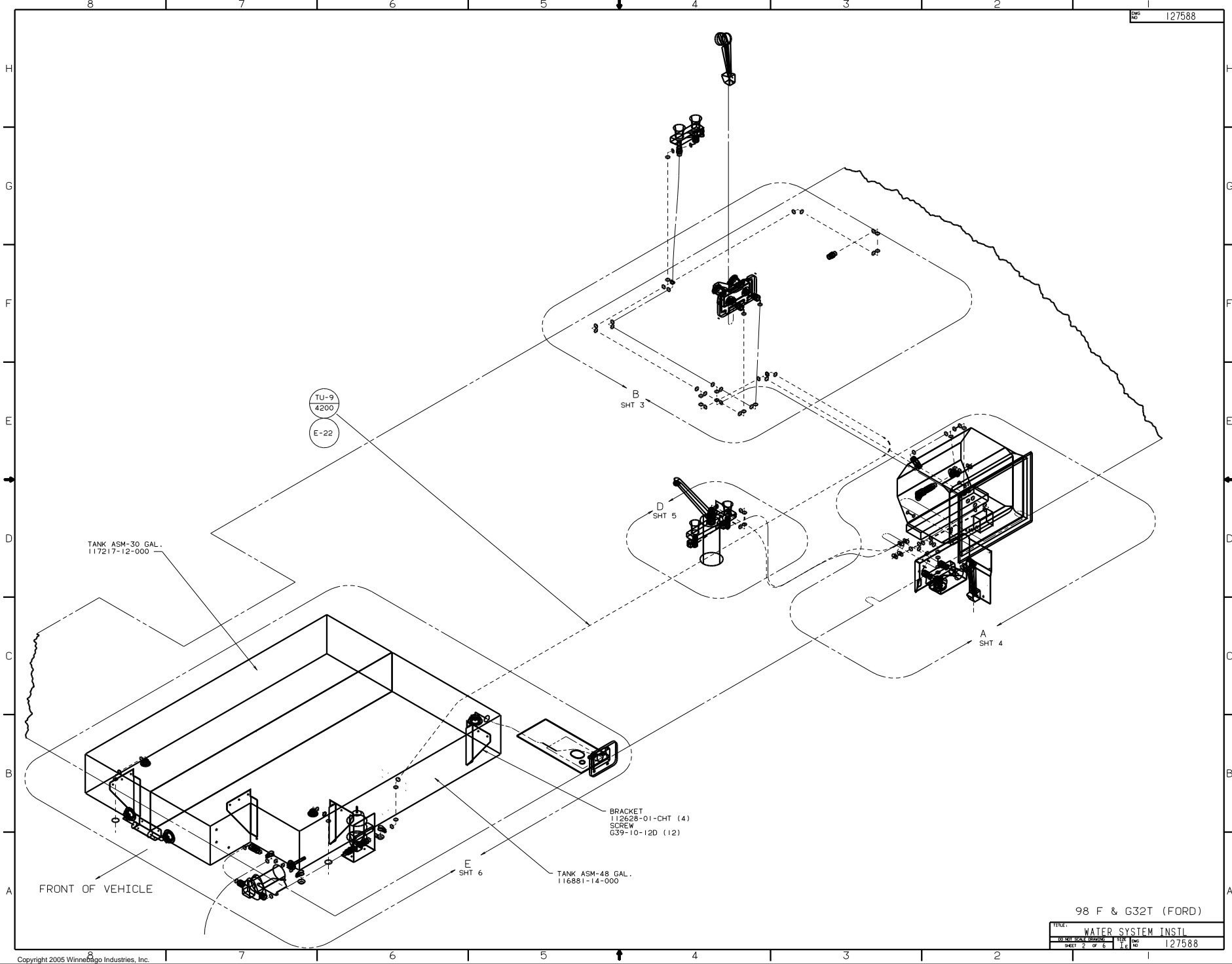
HOT	-----
COLD	-----

FOR WATER CALLOUTS SEE DWG NO. 116230-01-000

OF 10	DATE	UNSPECIFIED TOLERANCES ARE:	MATERIAL
DRW	DATE	WHOLE DIM (IN)	
DYE	DATE	ONE-PLACE (IN, IN)	
D/E	DATE	TWO-PLACE (IN, IN)	
CDRW	DATE	MILL	
	DATE	THIRD-PLACE (IN, IN)	
	DATE	FOURTH-PLACE (IN, IN)	

WINNEBAGO 98 F&G32WD (GM)

LAUNCH F32WD TITLE: WATER SYSTEM INSTL
 100% SCALE: 1:1 1/2
 ALL DIMENSIONS ARE IN MILLIMETERS SHEET 1 OF 6 DWG NO 127588



TU-9
4200
E-22

TANK ASM-30 GAL.
117217-12-000

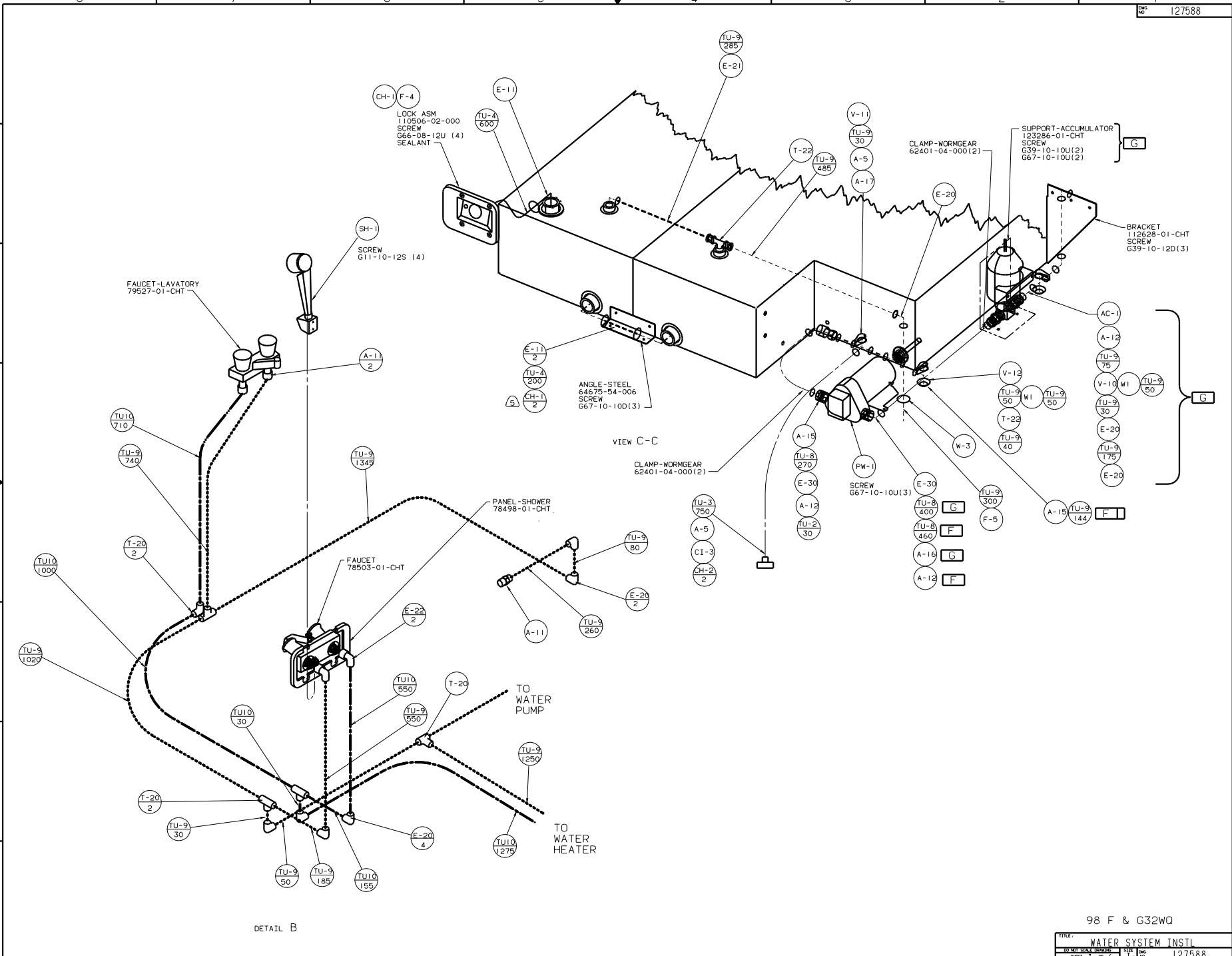
BRACKET
112628-01-CHT (4)
SCREW
G39-10-12D (12)

TANK ASM-48 GAL.
116891-14-000

FRONT OF VEHICLE

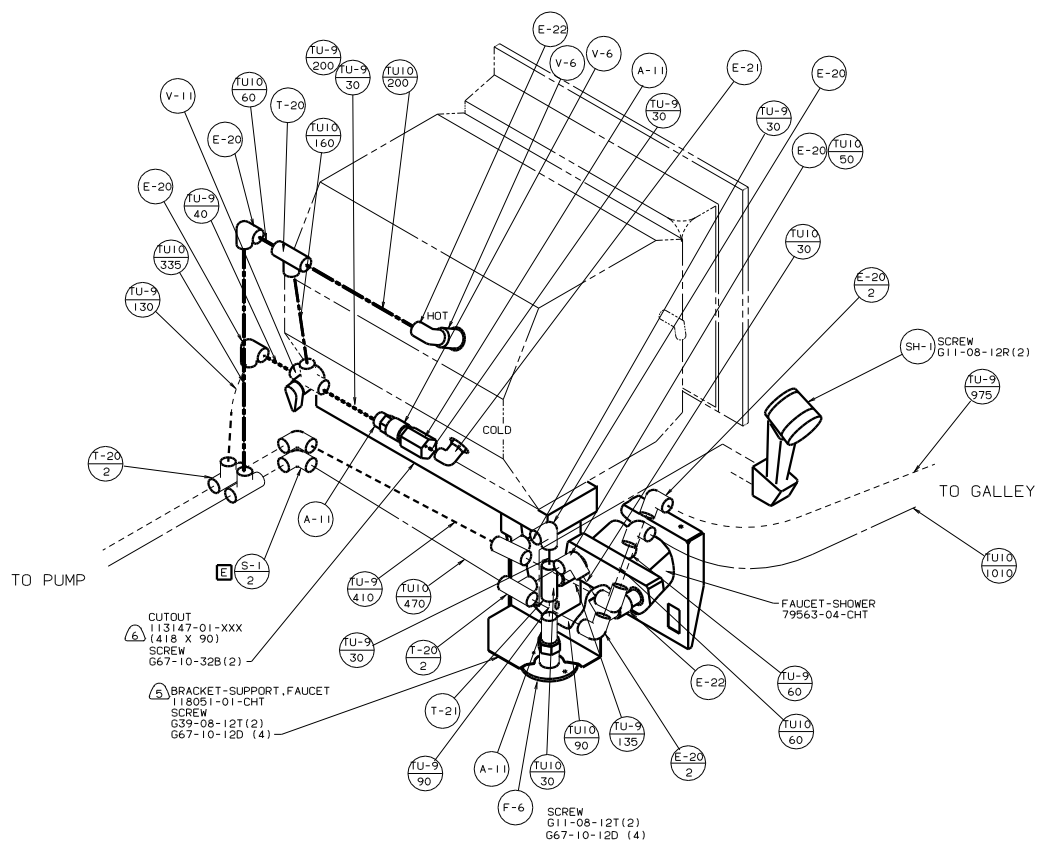
98 F & G32T (FORD)

TITLE: WATER SYSTEM INSTL	
TO SHEET NO. 2 OF 6	REV. NO. 127588



98 F & G32WQ

TITLE	WATER SYSTEM INSTL	
NO. OF SHEETS	3 OF 6	REV. NO.
SHEET	3 OF 6	127588



DETAIL A

CUTOUT
113147-01-XXX
(418 X 90)
SCREW
G67-10-32B (2)

BRACKET-SUPPORT, FAUCET
118051-01-CHT
SCREW
G39-08-12T (2)
G67-10-12D (4)

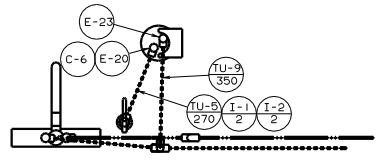
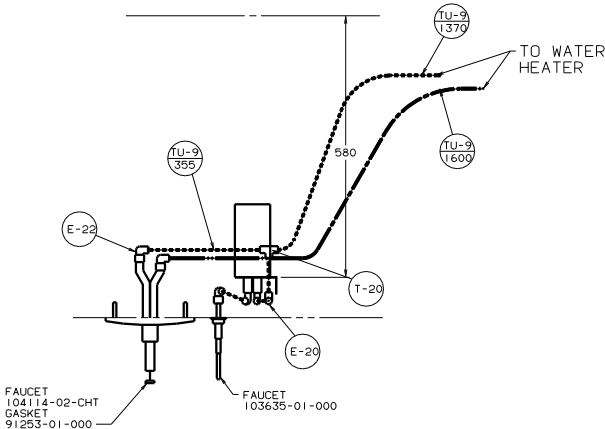
SCREW
G11-08-12T (2)
G67-10-12D (4)

FAUCET-SHOWER
79563-04-CHT

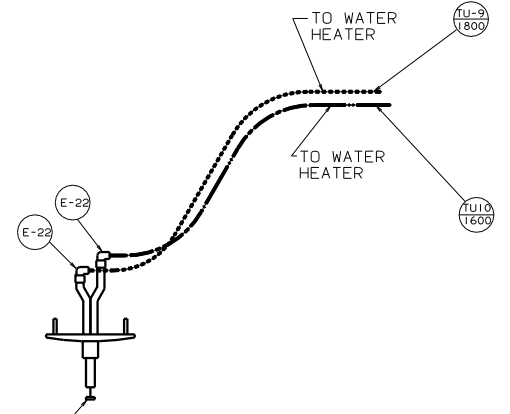
SCREW
G11-08-12R (2)

TO GALLEY

TO PUMP



VIEW D-D
SINGLE CONTROL FAUCET
WITH PURIFIER



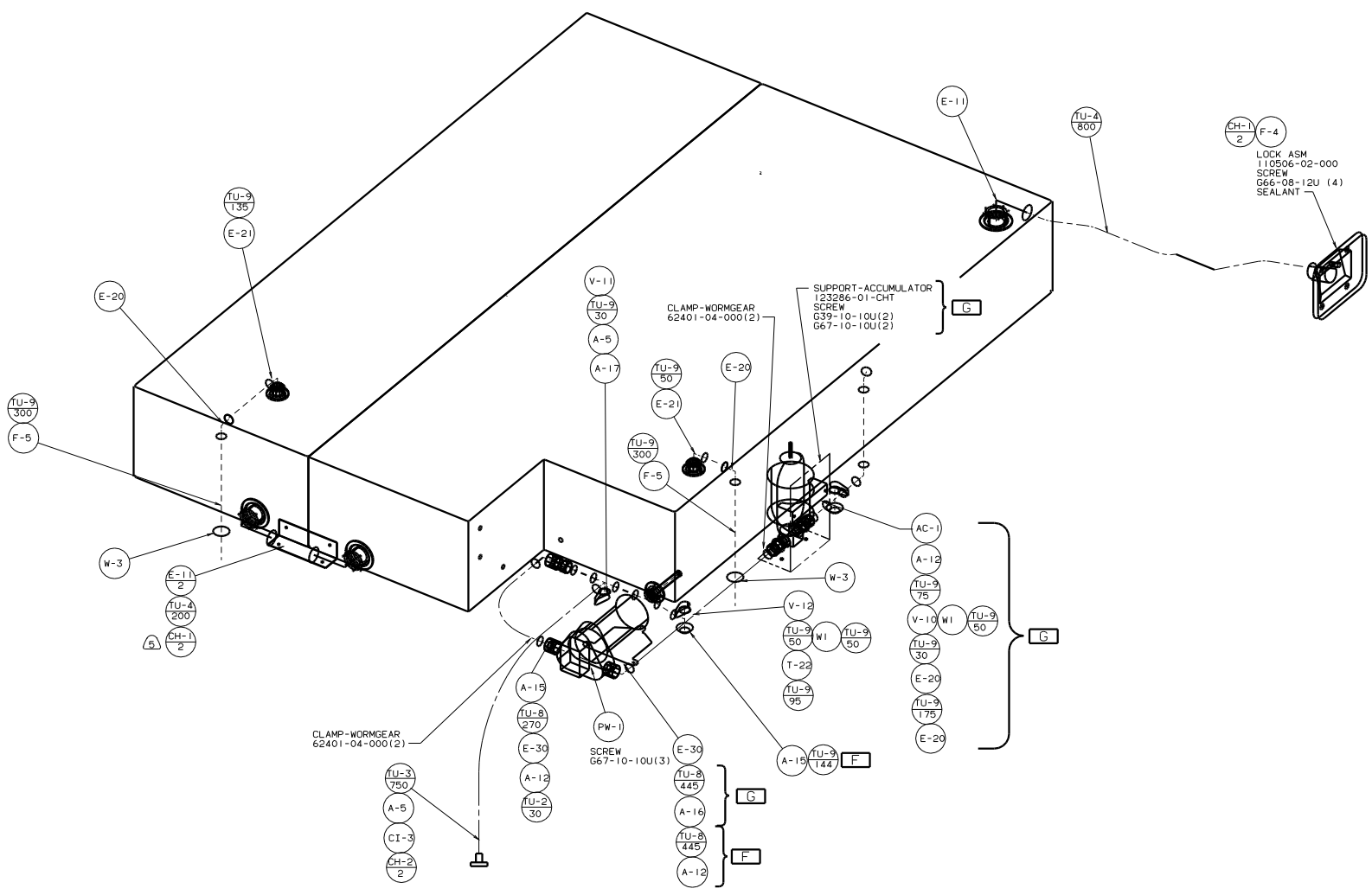
FAUCET 104114-02-CHT
GASKET 91253-01-000

VIEW D-D
SINGLE CONTROL FAUCET
WITHOUT PURIFIER



98 F&G32WQ

TITLE: WATER SYSTEM INSTL	
DATE: 5/06	REV: 1
SHEET: 5 OF 6	DWG NO: 127588



DETAIL E