

SHOWER INSTL-ENCLOSURE
 121582-01-000
 STRAINER
 66729-01-000
 SEALANT
 10
 NUT
 WASHER-RUBBER
 127440-02-CHT
 TAILPIECE
 11069-02-000

VENT
 83558-03-000 (8)
 SCREW
 G57-10-12B(6)
 SEALANT

SINK
 96927-01-CHT
 TAILPIECE
 11069-02-000

TOILET
 67487-01-000 (W0)
 67487-02-000 (DD)

TANK
 122006-02-000
 PLATFORM ASM
 122992-05-000
 122992-06-000

TANK
 122027-02-000
 PLATFORM ASM
 122992-07-000

SINK-DOUBLE
 104113-01-000 (W0)
 110654-01-000 (DD)
 SEALANT
 RETAINER
 105497-01-000 (4) (W0)
 RETAINER
 105497-01-000 (DD)
 105497-02-000 (5) (DD)
 SCREW
 G67-06-10U(18)
 STRAINER
 92303-01-000 (2)

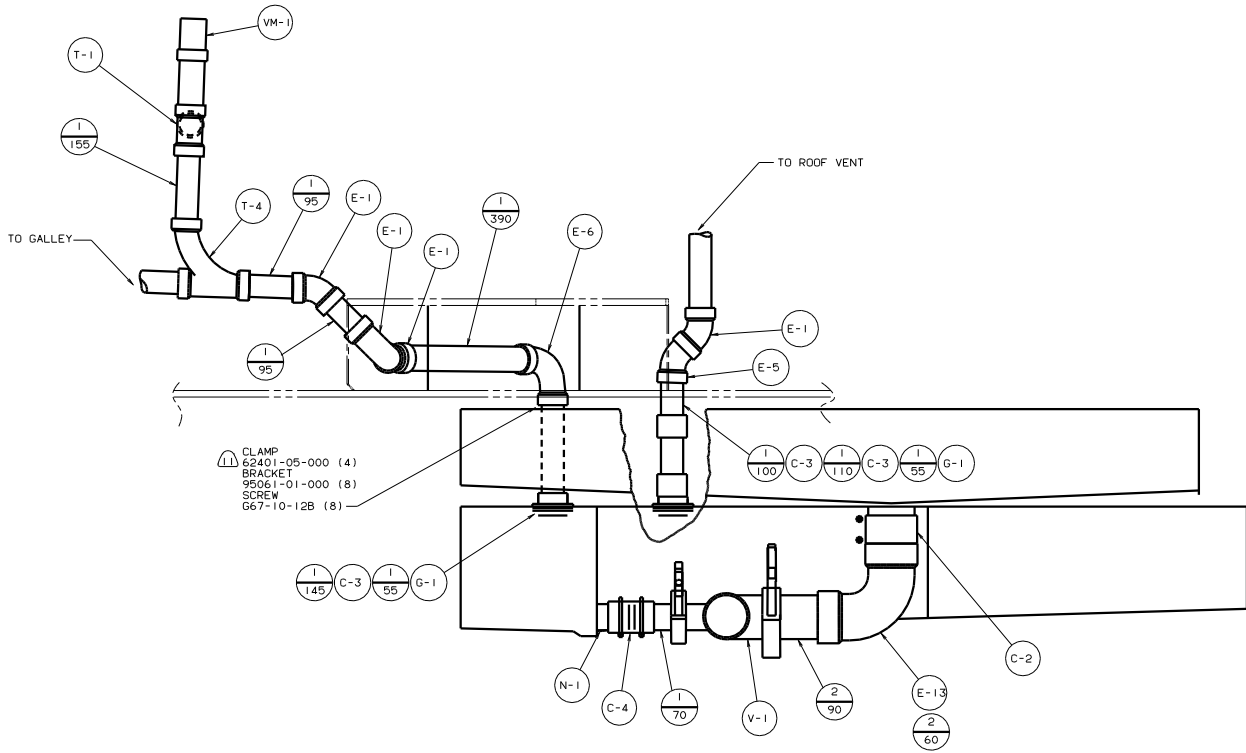
- (1) SECURE DRAIN TUBES TO FLOOR.
 (12) INCLUDED WITH GALLEY STRAINER.
 (9) NOT USED ON CANADIAN UNITS.
 (8) VENT PIPE MUST PROJECT 51 MIN TO 64 MAX ABOVE ROOF FOR PROPER FIT AND FUNCTION.
 (7) SEE DWG 61607-01-000 FOR INSTL OF GROMMET.
 (6) SEAL ALL AROUND SHOWER PAN WITH SILICONE 78474-01-CHT.
 5. FOR CANADIAN UNITS EACH HOLDING TANK SHALL HAVE A CSA APPROVAL STAMPED NEAR THE IAPMO APPROVAL.
 4. ALL EXTERIOR OPENINGS AROUND PIPE TO BE SEALED WITH 69637-01-000.
 3. ALL PIPE AND FITTINGS TO BE ASSEMBLED WITH SOLVENT 4020-01-000.
 2. SLOPE OF TRAP MUST BE 6 PER 300 MINIMUM.
 1. SLOPE OF HORIZONTAL PIPING TO BE 6 PER 300 MINIMUM.

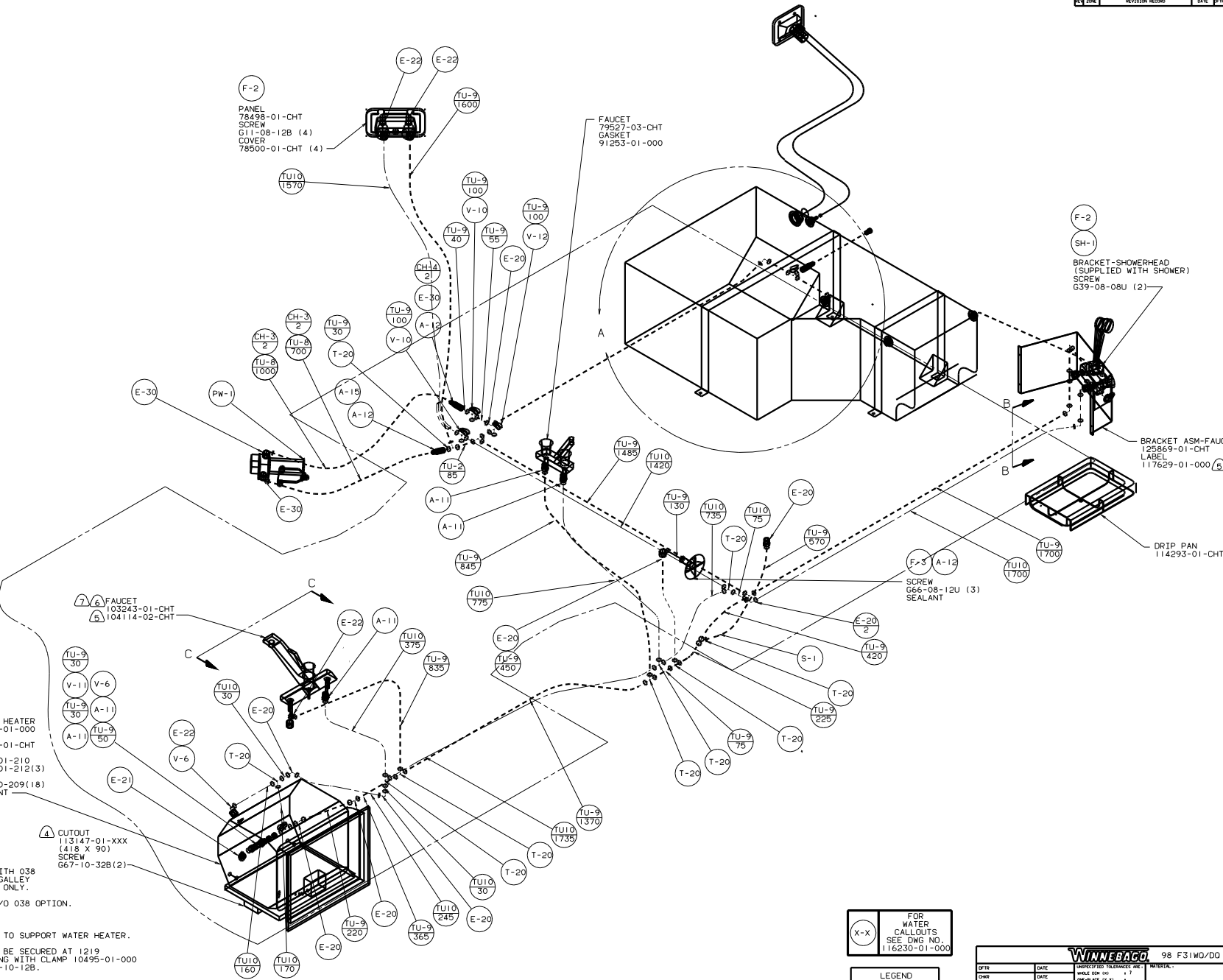
(X-X)
 FOR DRAINAGE CALLOUTS SEE DWG NO. 116229-01-000

WINNEBAGO 98 F31W0/DD

OF IN	DATE	UNSPECIFIED TOLERANCES ARE	MATERIAL
CHP	DATE	ONE-PLACE (X.X1)	
PIE	DATE	TWO-PLACE (X.XX)	
D/E	DATE	THREE-PLACE (X.XXX)	
CDR	DATE	INDIC. WHOLE INCHES	

LAYOUT NO. F31W0 TITLE: DRAINAGE SYSTEM INSTL
 REV # SCALE: NONE DO NOT SCALE DRAWING SHEET 1 OF 2
 ALL DIMENSIONS ARE IN MILLIMETERS





F-2
 PANEL 78498-01-CHT
 SCREW 611-08-12B (4)
 COVER 78500-01-CHT (4)

FAUCET 79527-03-CHT
 GASKET 91253-01-000

F-2
 SH-1
 BRACKET-SHOVERHEAD
 (SUPPLIED WITH SHOWER)
 SCREW 639-08-08U (2)

BRACKET ASM-FAUCET
 125869-01-CHT
 LABEL 117629-01-000 (3)

DRIP PAN
 114293-01-CHT

7 FAUCET 103243-01-CHT
 8 104114-02-CHT

WATER HEATER 51393-01-000
 DOOR 78506-01-CHT
 EXTR 2726-01-210
 2726-01-212(3)
 SCREW 639-10-209(18)
 SEALANT

4 CUTOFF 113147-01-XXX
 (418 X 90)
 SCREW 667-10-32B(2)

- 7 USE WITH WD WITH 038 SINGLE LEVER GALLEY FAUCET OPTION ONLY.
 - 8 USE WITH WD W/O 038 OPTION.
 - 4 USE WITH DD.
 - 4 LOCATE CUTOFF TO SUPPORT WATER HEATER.
3. ALL TUBING TO BE SECURED AT 1219 MAXIMUM SPACING WITH CLAMP 10495-01-000 AND SCREW 667-10-12B.
 2. PLASTIC FITTING TO BE SEALED WITH SEALANT 84456-01-000.
 1. TUBING TO BE INSTALLED WITH SUFFICIENT SLOPE TO PROVIDE DRAINAGE TO NEAREST VALVE.

NOTES:

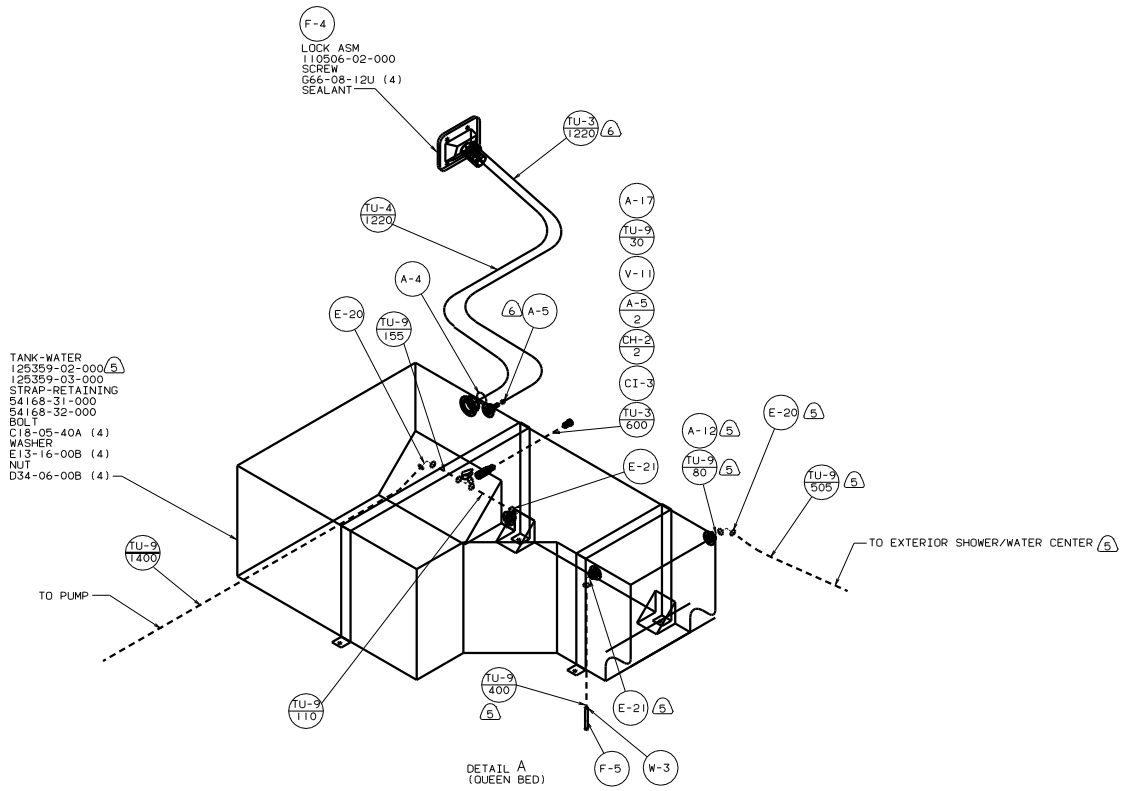
(X-X) FOR WATER CALLOUTS SEE DWG NO. 116230-01-000

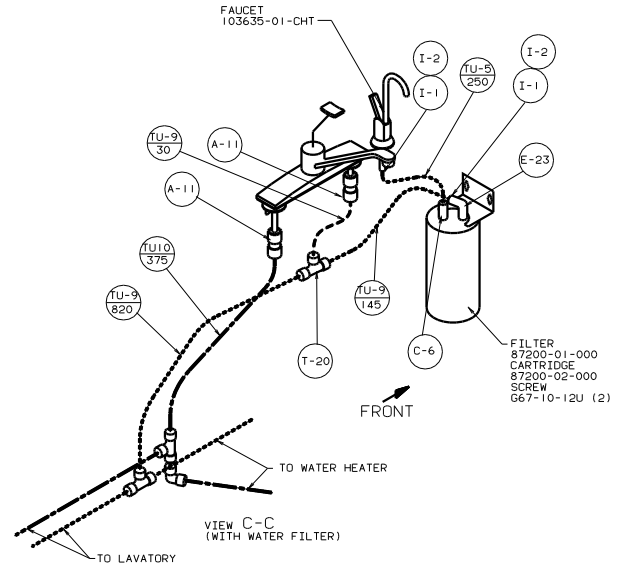
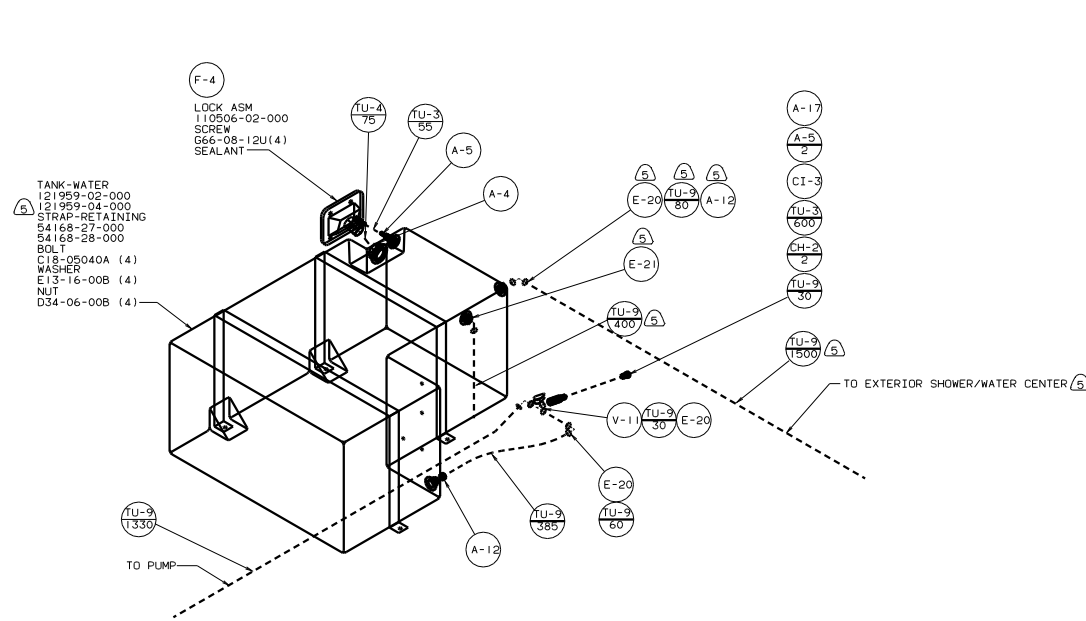
LEGEND
 HOT - - - - -
 COLD - - - - -

DATE		UNAPPROVED TOLERANCES ARE:		MATERIAL	
DATE	DATE	WHOLE DIM (IN)	1/4"		
DATE	DATE	ONE-PLACE (IN.XI)	1/8"		
DATE	DATE	TWO-PLACE (IN.XX)	1/16"		
DATE	DATE	THIRD WHOLE PRODUCTION			

WINNEGAGO 98 F31WO/DD

LAYOUT NO. 98F31WO TITLE WATER SYSTEM INSTL
 SHEET 1 OF 3





DETAIL A
(TWIN BEDS)

