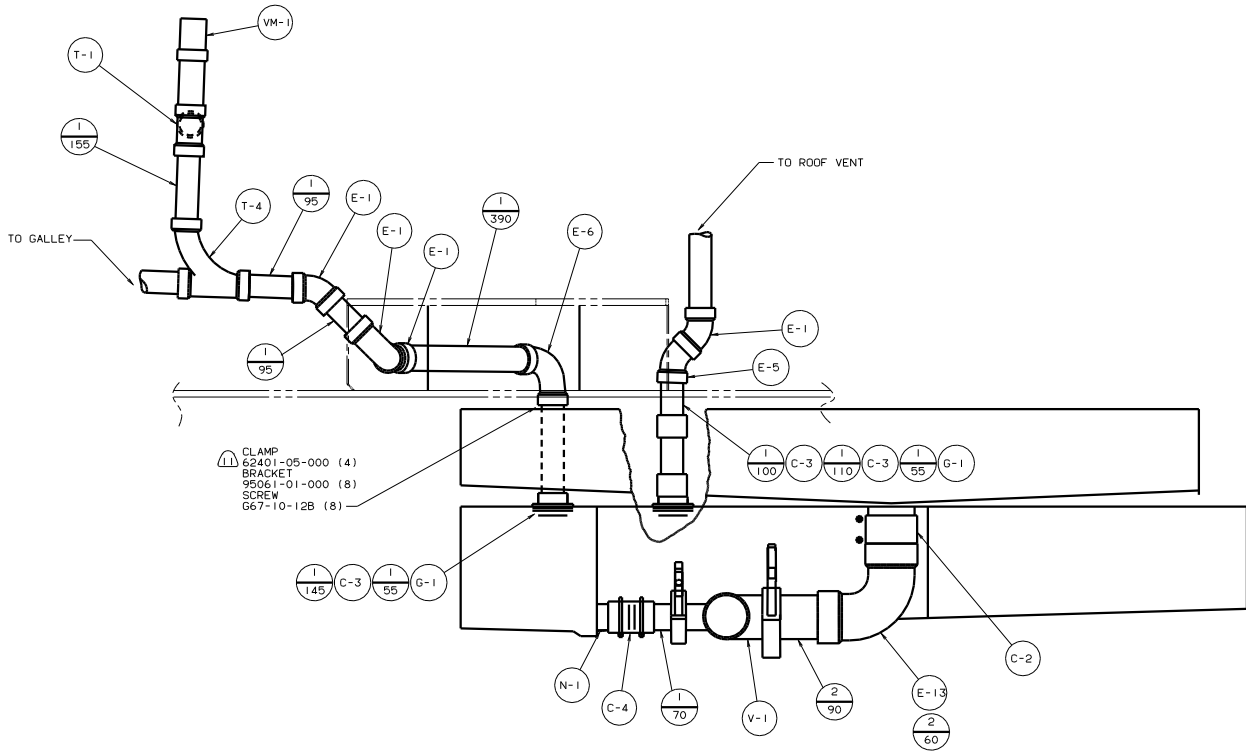


- NOTES:
1. SECURE DRAIN TUBES TO FLOOR.
 2. INCLUDED WITH GALLEY STRAINER.
 3. NOT USED ON CANADIAN UNITS.
 4. VENT PIPE MUST PROJECT 51 MIN TO 64 MAX ABOVE ROOF FOR PROPER FIT AND FUNCTION.
 5. SEE DWG 61607-01-000 FOR INSTL OF GROMMET.
 6. SEAL ALL AROUND SHOWER PAN WITH SILICONE 78474-01-CHT.
 7. FOR CANADIAN UNITS EACH HOLDING TANK SHALL HAVE A CSA APPROVAL STAMPED NEAR THE IAPMO APPROVAL.
 8. ALL EXTERIOR OPENINGS AROUND PIPE TO BE SEALED WITH 69637-01-000.
 9. ALL PIPE AND FITTINGS TO BE ASSEMBLED WITH SOLVENT 4020-01-000.
 10. SLOPE OF TRAP MUST BE 6 PER 300 MINIMUM.
 11. SLOPE OF HORIZONTAL PIPING TO BE 6 PER 300 MINIMUM.

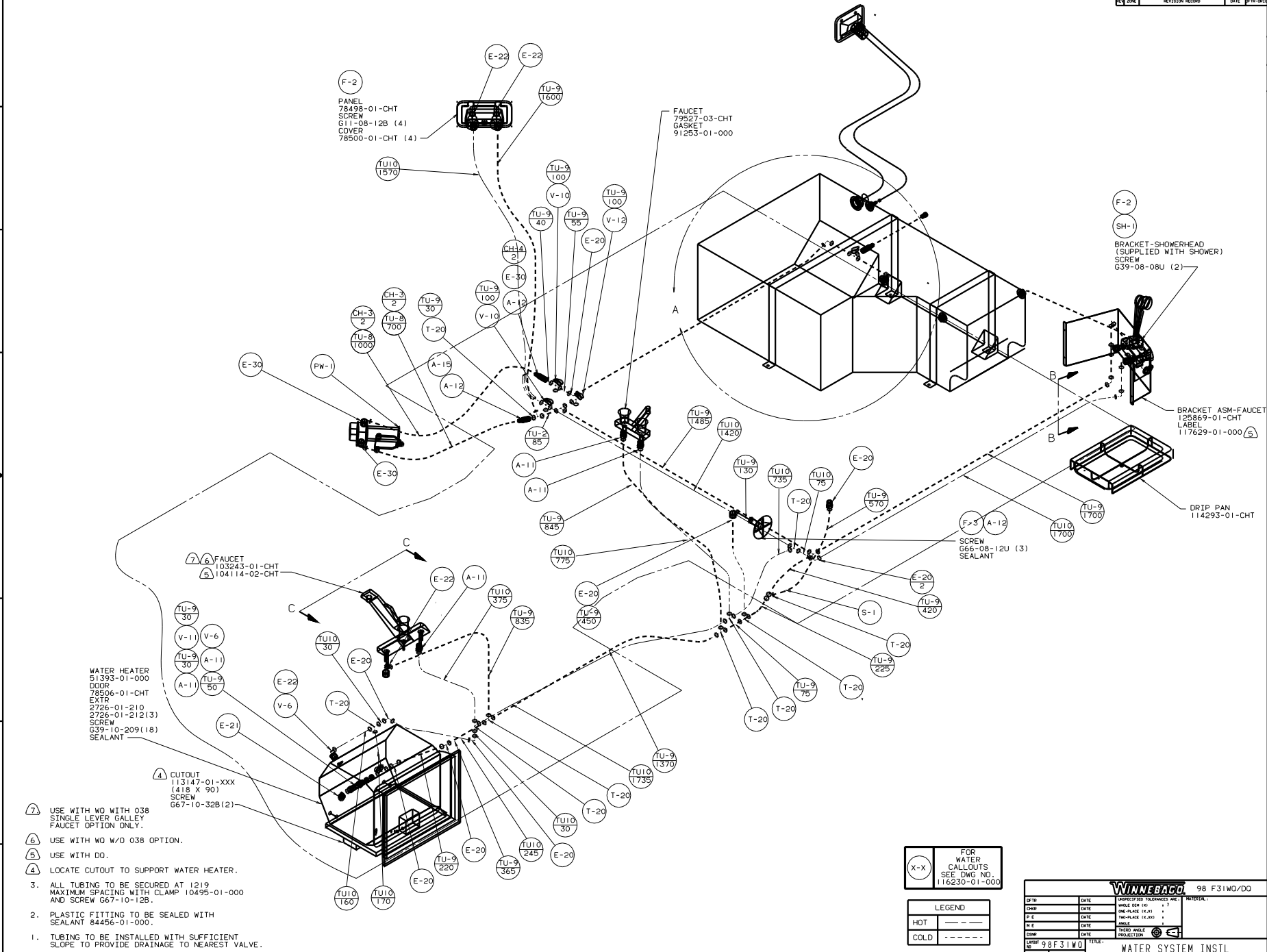
(X-X) FOR DRAINAGE CALLOUTS SEE DWG NO. 116229-01-000

WINNEBAGO		98 F31WO/DO	
OF IN	DATE	UNSPECIFIED TOLERANCES ARE:	MATERIAL
CHP	DATE	HALF DIM (1:1)	
PIE	DATE	ONE-PLACE (1:1)	
D/E	DATE	TWO-PLACE (1:1)	
CDR	DATE	THIRD-PLACE (1:1)	
DRW	DATE	FOUR-PLACE (1:1)	
APP	DATE	FIVE-PLACE (1:1)	
CHK	DATE	SIX-PLACE (1:1)	
APP	DATE	SEVEN-PLACE (1:1)	
APP	DATE	EIGHT-PLACE (1:1)	
APP	DATE	NINE-PLACE (1:1)	
APP	DATE	TEN-PLACE (1:1)	
APP	DATE	ELEVEN-PLACE (1:1)	
APP	DATE	TWELVE-PLACE (1:1)	
APP	DATE	THIRTEEN-PLACE (1:1)	
APP	DATE	FOURTEEN-PLACE (1:1)	
APP	DATE	FIFTEEN-PLACE (1:1)	
APP	DATE	SIXTEEN-PLACE (1:1)	
APP	DATE	SEVENTEEN-PLACE (1:1)	
APP	DATE	EIGHTEEN-PLACE (1:1)	
APP	DATE	NINETEEN-PLACE (1:1)	
APP	DATE	TWENTY-PLACE (1:1)	
APP	DATE	TWENTY-ONE PLACE (1:1)	
APP	DATE	TWENTY-TWO PLACE (1:1)	
APP	DATE	TWENTY-THREE PLACE (1:1)	
APP	DATE	TWENTY-FOUR PLACE (1:1)	
APP	DATE	TWENTY-FIVE PLACE (1:1)	
APP	DATE	TWENTY-SIX PLACE (1:1)	
APP	DATE	TWENTY-SEVEN PLACE (1:1)	
APP	DATE	TWENTY-EIGHT PLACE (1:1)	
APP	DATE	TWENTY-NINE PLACE (1:1)	
APP	DATE	THIRTY PLACE (1:1)	
APP	DATE	THIRTY-ONE PLACE (1:1)	
APP	DATE	THIRTY-TWO PLACE (1:1)	
APP	DATE	THIRTY-THREE PLACE (1:1)	
APP	DATE	THIRTY-FOUR PLACE (1:1)	
APP	DATE	THIRTY-FIVE PLACE (1:1)	
APP	DATE	THIRTY-SIX PLACE (1:1)	
APP	DATE	THIRTY-SEVEN PLACE (1:1)	
APP	DATE	THIRTY-EIGHT PLACE (1:1)	
APP	DATE	THIRTY-NINE PLACE (1:1)	
APP	DATE	FOURTY PLACE (1:1)	
APP	DATE	FOURTY-ONE PLACE (1:1)	
APP	DATE	FOURTY-TWO PLACE (1:1)	
APP	DATE	FOURTY-THREE PLACE (1:1)	
APP	DATE	FOURTY-FOUR PLACE (1:1)	
APP	DATE	FOURTY-FIVE PLACE (1:1)	
APP	DATE	FOURTY-SIX PLACE (1:1)	
APP	DATE	FOURTY-SEVEN PLACE (1:1)	
APP	DATE	FOURTY-EIGHT PLACE (1:1)	
APP	DATE	FOURTY-NINE PLACE (1:1)	
APP	DATE	FIFTY PLACE (1:1)	



- ⚠ CLAMP 62401-05-000 (4)
- BRACKET 95061-01-000 (8)
- SCREW G67-10-12B (8)

VIEW A-A



- 7 USE WITH WD WITH 038 SINGLE LEVER GALLEY FAUCET OPTION ONLY.
- 8 USE WITH WD W/O 038 OPTION.
- 9 USE WITH DD.
- 10 LOCATE CUTOUT TO SUPPORT WATER HEATER.
3. ALL TUBING TO BE SECURED AT 12" MAXIMUM SPACING WITH CLAMP 10495-01-000 AND SCREW 667-10-12B.
2. PLASTIC FITTING TO BE SEALED WITH SEALANT 84456-01-000.
1. TUBING TO BE INSTALLED WITH SUFFICIENT SLOPE TO PROVIDE DRAINAGE TO NEAREST VALVE.

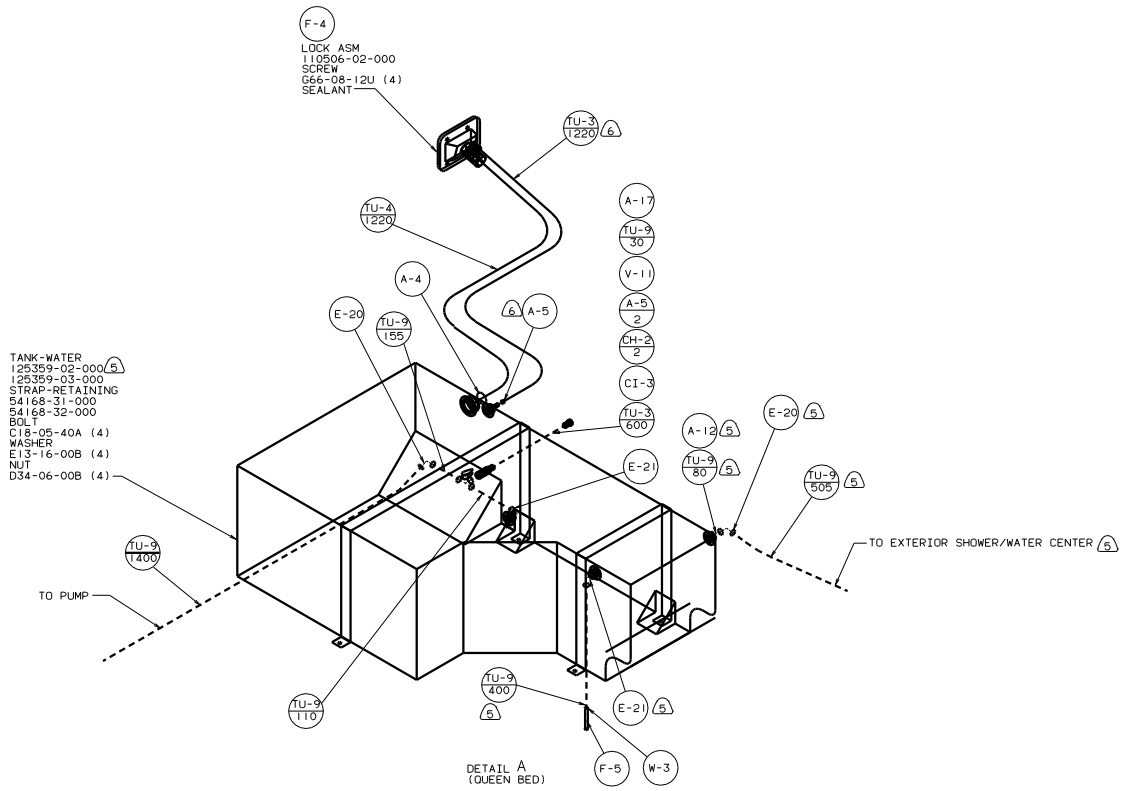
X-X FOR WATER CALLOUTS SEE DWG NO. 116230-01-000

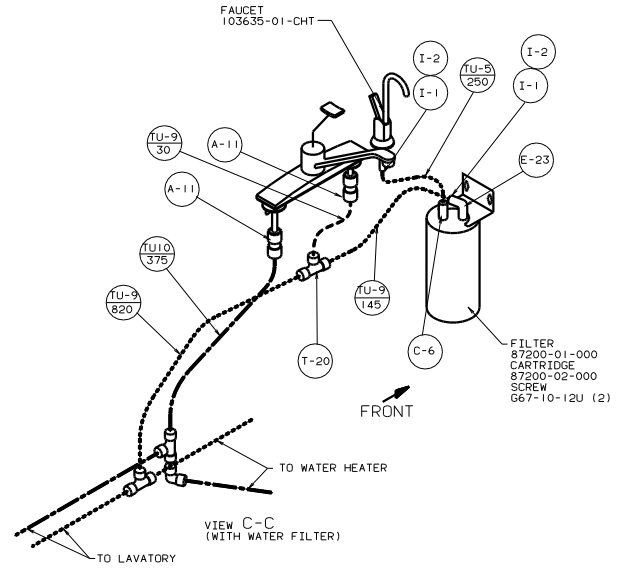
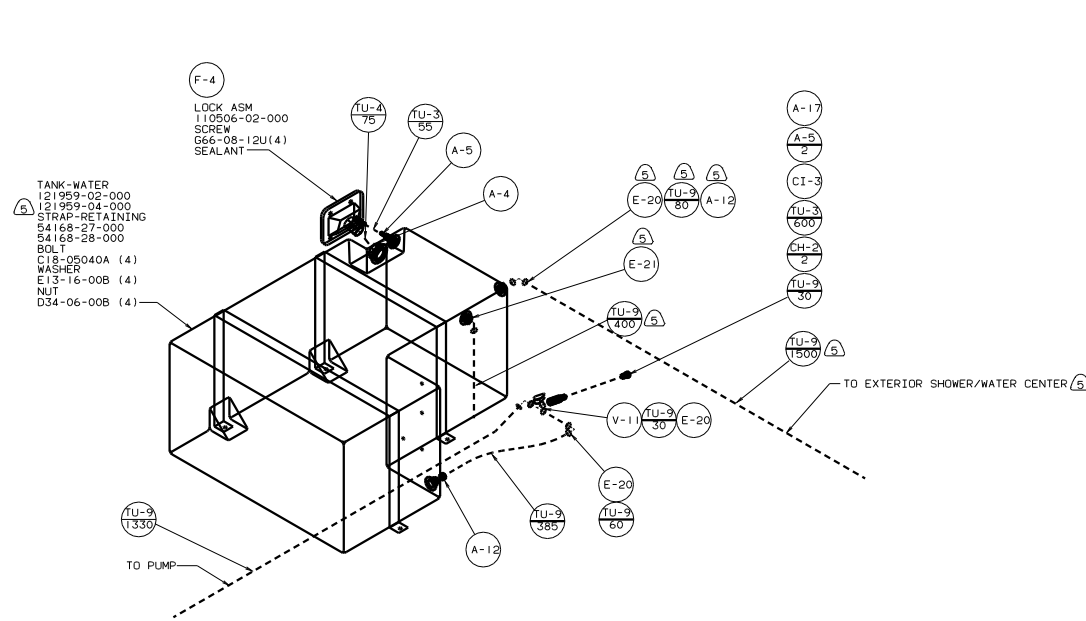
LEGEND	
HOT	----
COLD	----

WINNEBAGO 98 F31WO/DD

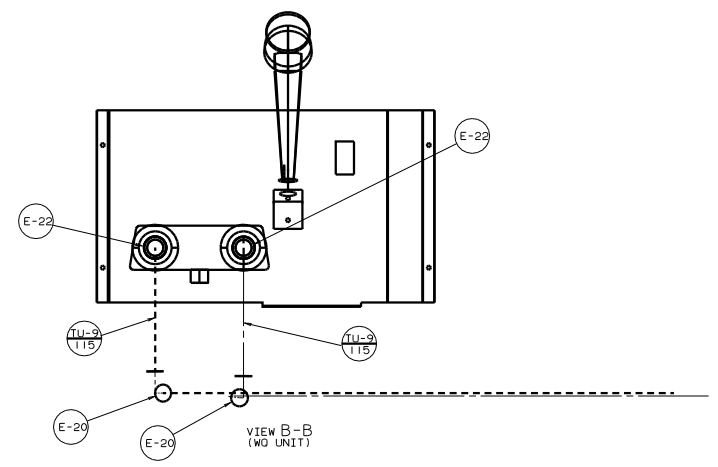
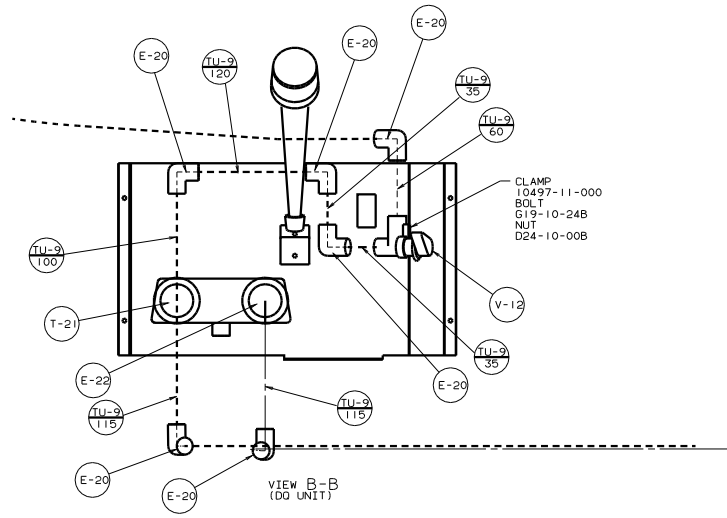
OP. NO.	DATE	UNSPECIFIED TOLERANCES ARE:	MATERIAL
CHP	DATE	WHOLE OR 1/16"	
DFE	DATE	ONE-PLACE (1/32")	
D/E	DATE	TWO-PLACE (1/64")	
DATE	DATE	MIG	
DATE	DATE	INDUS. WELD	
DATE	DATE	PRODUCTION	

LAYOUT NO. 98F31WO TITLE: WATER SYSTEM INSTL
 SHEET 1 OF 3
 REF: 122166L





DETAIL A
 (TWIN BEDS)



98 F31WO/DO	
TITLE: WATER SYSTEM INSTL	
30 100 100 100	100 100 100 100
SHEET 3 OF 3	FIG 1 E NO 125861