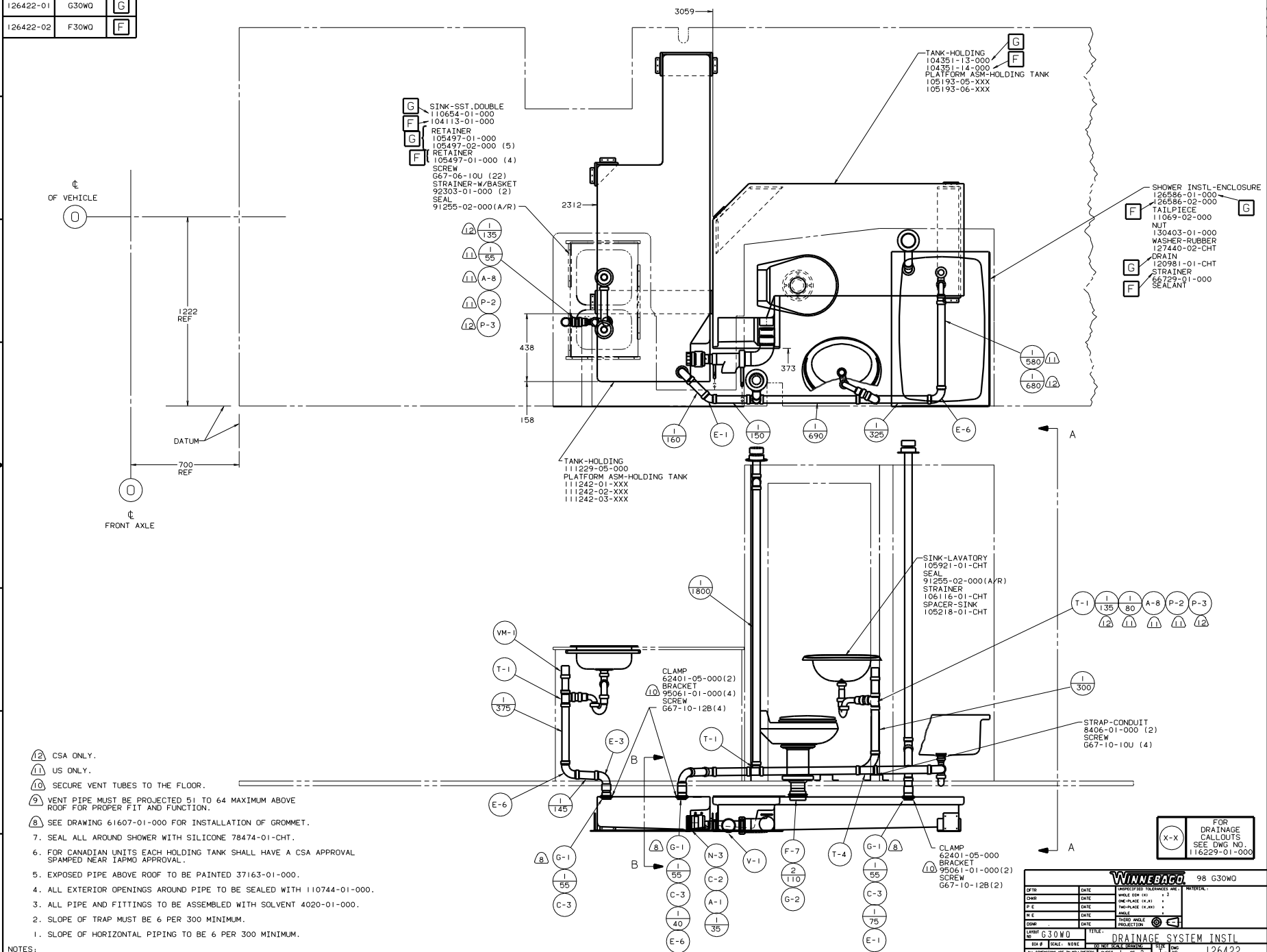


DWG NO	---	---
126422-01	G30WD	G
126422-02	F30WD	F



- ⑫ CSA ONLY.
- ⑪ US ONLY.
- ⑩ SECURE VENT TUBES TO THE FLOOR.
- ⑨ VENT PIPE MUST BE PROJECTED 51 TO 64 MAXIMUM ABOVE ROOF FOR PROPER FIT AND FUNCTION.
- ⑧ SEE DRAWING 61607-01-000 FOR INSTALLATION OF GROMMET.
- 7. SEAL ALL AROUND SHOWER WITH SILICONE 78474-01-CHT.
- 6. FOR CANADIAN UNITS EACH HOLDING TANK SHALL HAVE A CSA APPROVAL STAMPED NEAR IAPMO APPROVAL.
- 5. EXPOSED PIPE ABOVE ROOF TO BE PAINTED 37163-01-000.
- 4. ALL EXTERIOR OPENINGS AROUND PIPE TO BE SEALED WITH 110744-01-000.
- 3. ALL PIPE AND FITTINGS TO BE ASSEMBLED WITH SOLVENT 4020-01-000.
- 2. SLOPE OF TRAP MUST BE 6 PER 300 MINIMUM.
- 1. SLOPE OF HORIZONTAL PIPING TO BE 6 PER 300 MINIMUM.

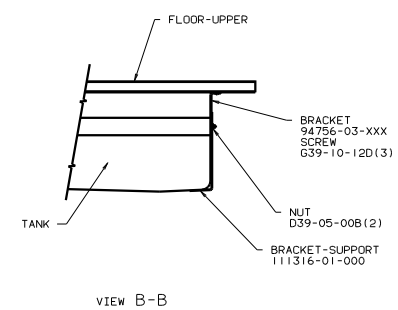
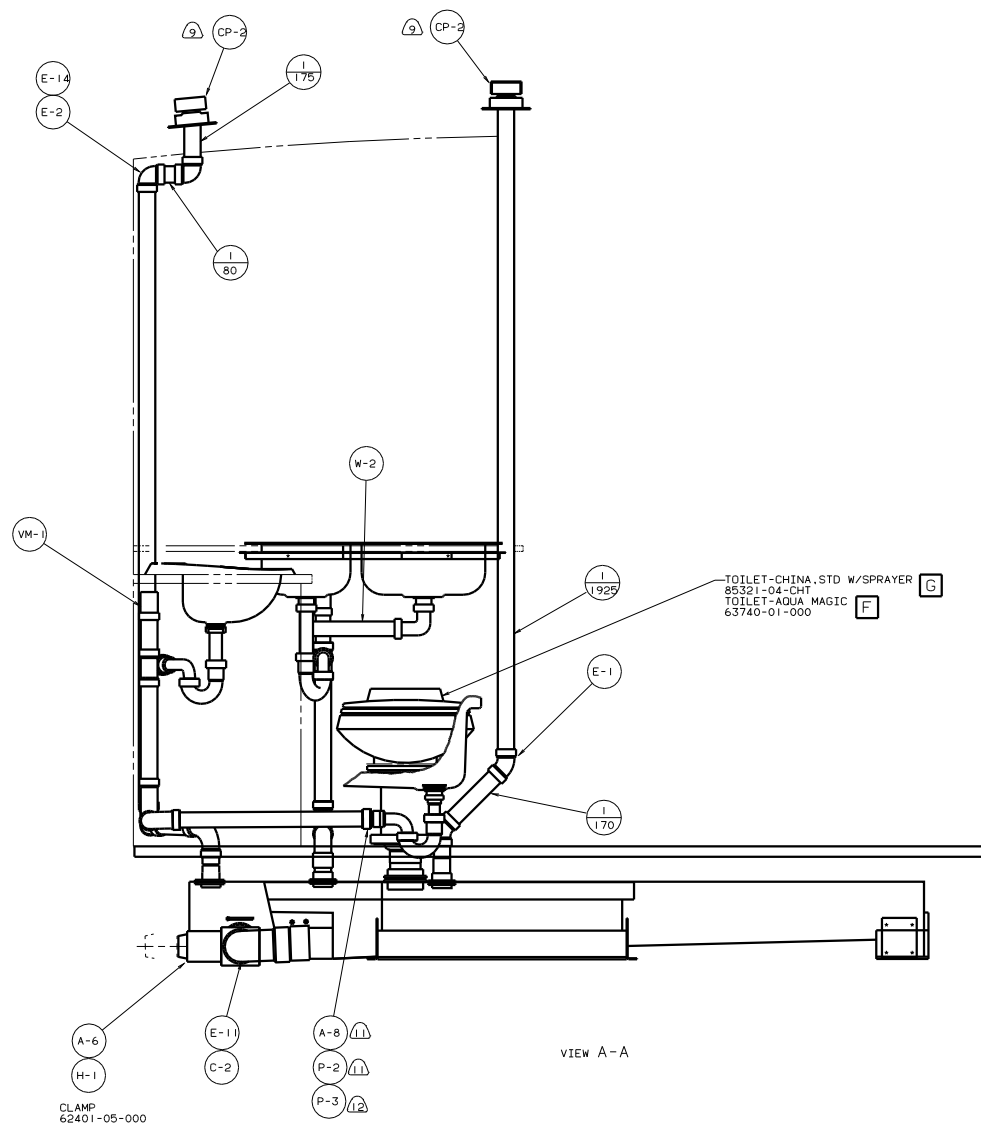
FOR DRAINAGE CALLOUTS SEE DWG NO. 116229-01-000

WINNEBAGO 98 G30WD

DATE	UNDESIGNED TOLERANCES ARE:	MATERIAL
DATE	WHOLE DIM (IN)	
DATE	ONE-PLACE (IN.X1)	
DATE	TWO-PLACE (IN.XXX)	
DATE	MIXED	
DATE	THIRD WHOLE INCHES	

DRAINAGE SYSTEM INSTL

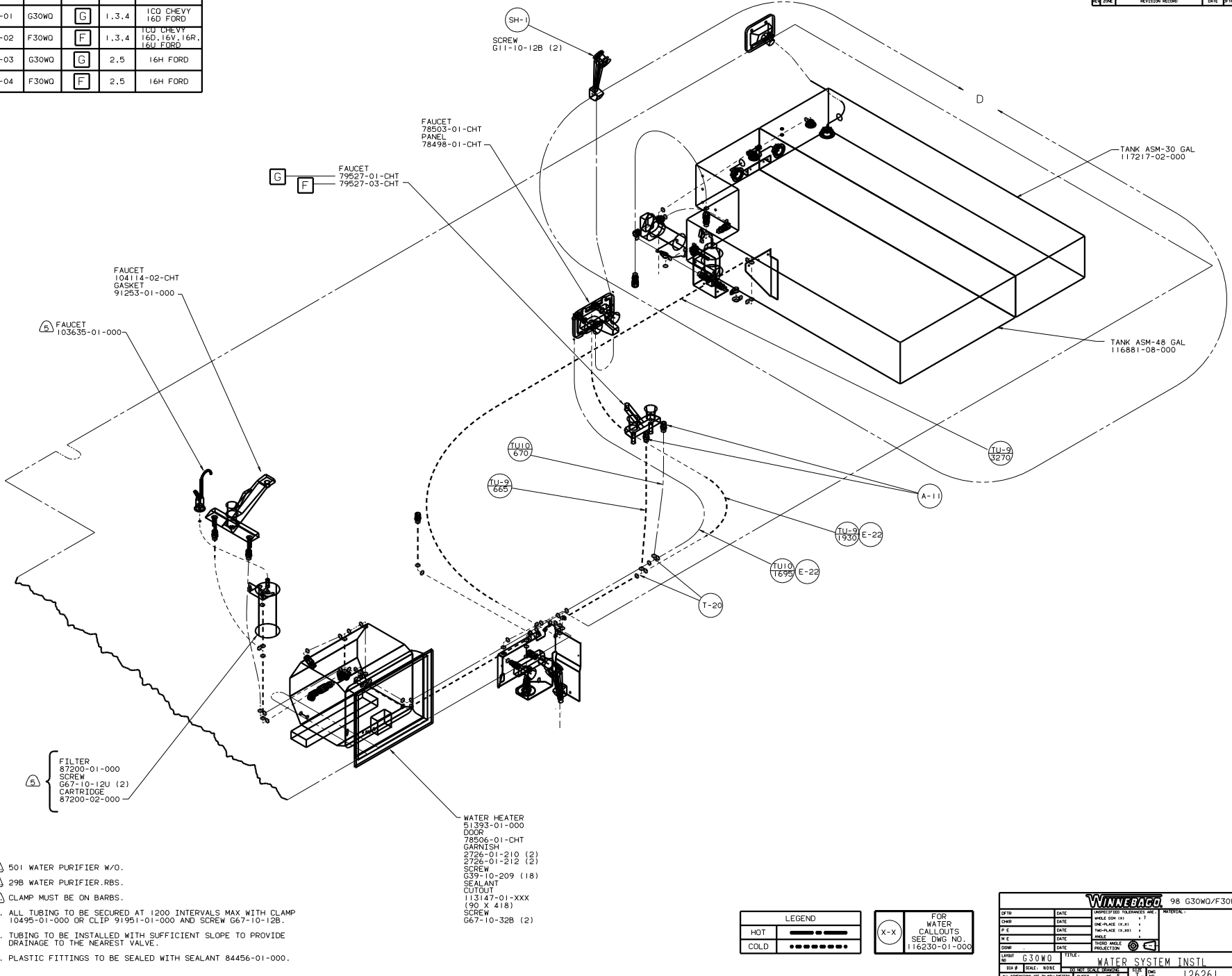
126422



VIEW A-A

DWG NO	----	----	SHEET	
126261-01	G30WD	G	1,3,4	100 CHEVY 16D FORD
126261-02	F30WD	F	1,3,4	100 CHEVY 16D, 16V, 16R, 16U FORD
126261-03	G30WD	G	2,5	16H FORD
126261-04	F30WD	F	2,5	16H FORD

RELEASE BY: DATE: 126261
 REVISION RECORD: DATE: 8/19/02



FAUCET 78503-01-CHT
 PANEL 78498-01-CHT

FAUCET 79527-01-CHT
 PANEL 79527-03-CHT

FAUCET 104114-02-CHT
 GASKET 91293-01-000

FAUCET 103635-01-000

FILTER 87200-01-000
 SCREW G67-10-12U (2)
 CARTRIDGE 87200-02-000

WATER HEATER 51393-01-000
 DOOR 78506-01-CHT
 GARNISH 2726-01-210 (2)
 2726-01-212 (2)
 SCREW G39-10-209 (18)
 SEALANT CUTOUT 113147-01-XXX
 (90 X 418)
 SCREW G67-10-32B (2)

- 501 WATER PURIFIER W/O.
- 29B WATER PURIFIER. RBS.
- CLAMP MUST BE ON BARBS.
- ALL TUBING TO BE SECURED AT 1200 INTERVALS MAX WITH CLAMP 10495-01-000 OR CLIP 91951-01-000 AND SCREW G67-10-12B.
- TUBING TO BE INSTALLED WITH SUFFICIENT SLOPE TO PROVIDE DRAINAGE TO THE NEAREST VALVE.
- PLASTIC FITTINGS TO BE SEALED WITH SEALANT 84456-01-000.

LEGEND

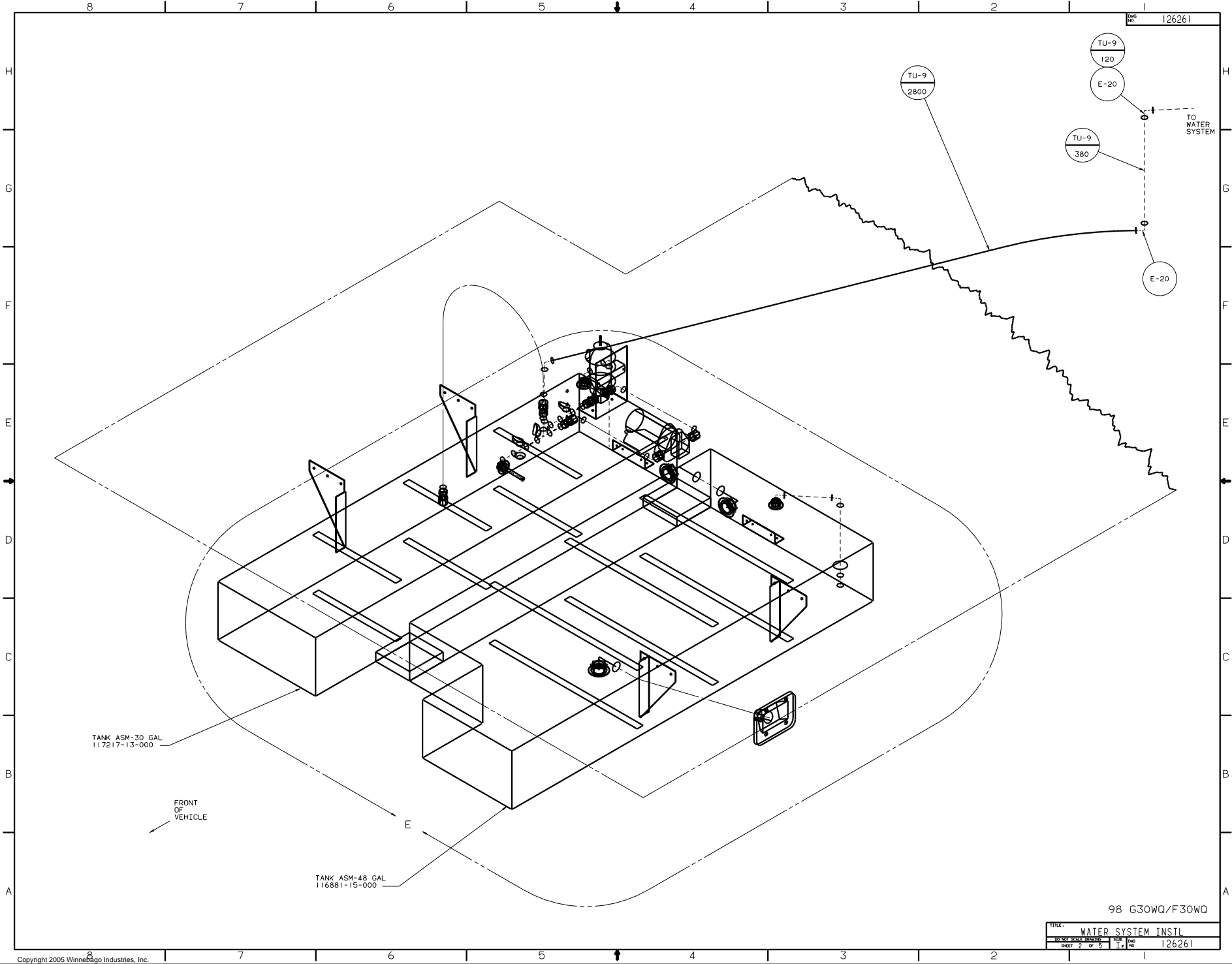
HOT [---] COLD [.....]

[X-X] FOR WATER CALLOUTS SEE DWG NO. 116230-01-000

WINNEBAGO 98 G30WD/F30WD

DATE	UNDESIGNED TOLERANCES ARE:	MATERIAL
DATE	WHOLE OR 1/16"	
DATE	ONE-PLACE (1/32)"	
DATE	TWO-PLACE (1/64)"	
DATE	THREE-PLACE (1/128)"	
DATE	FOUR-PLACE (1/256)"	
DATE	FIVE-PLACE (1/512)"	
DATE	SIX-PLACE (1/1024)"	
DATE	SEVEN-PLACE (1/2048)"	
DATE	EIGHT-PLACE (1/4096)"	
DATE	TEN-PLACE (1/10240)"	
DATE	TWELVE-PLACE (1/12288)"	

LANE NO. G30WD TITLE: WATER SYSTEM INSTL
 REF: 122104 H 124461 A
 SHEET 1 OF 5



TANK ASM-30 GAL
117217-13-000

FRONT
OF
VEHICLE

TANK ASM-48 GAL
116881-15-000

TU-9
2800

TU-9
380

TU-9
120

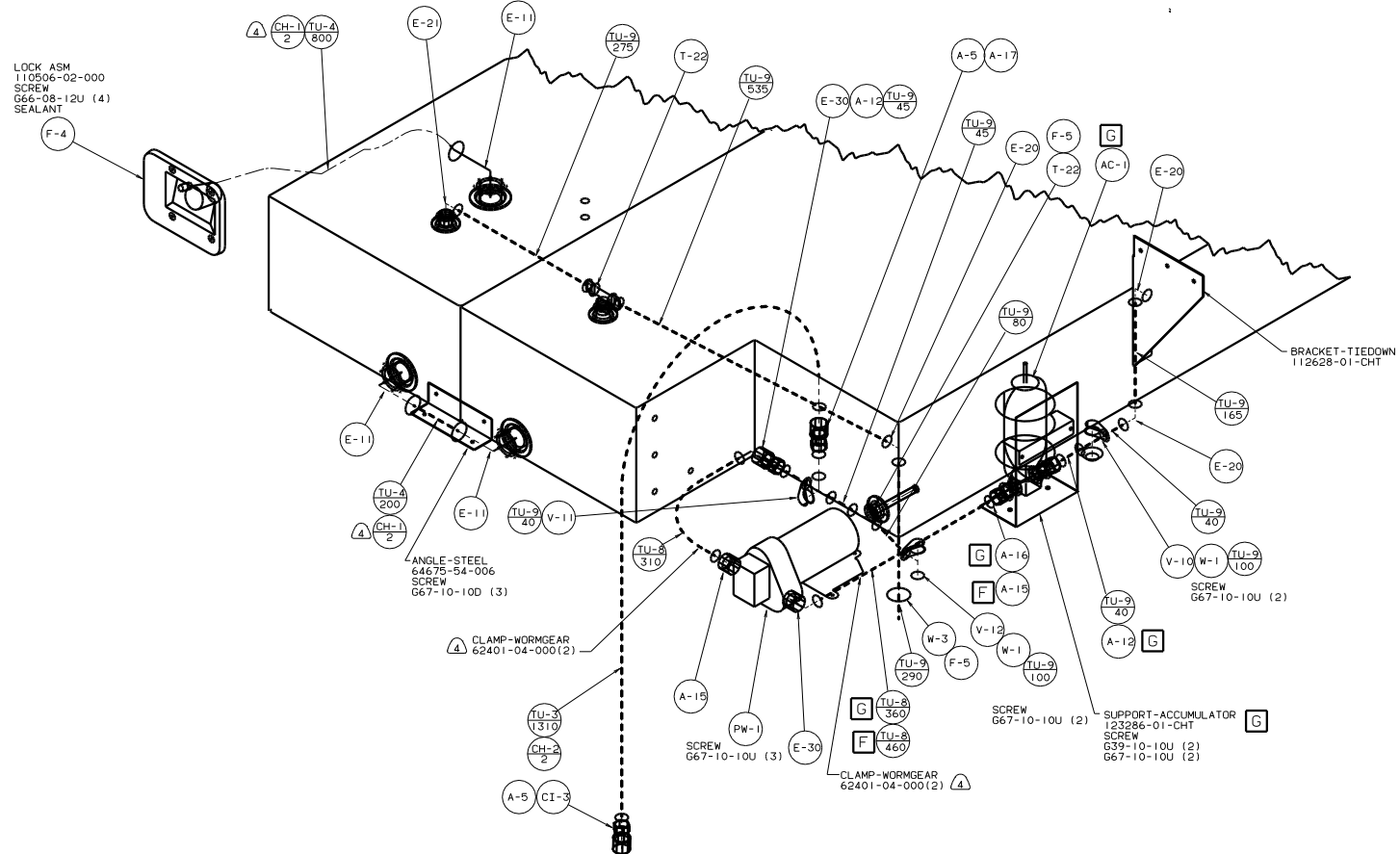
E-20

E-20

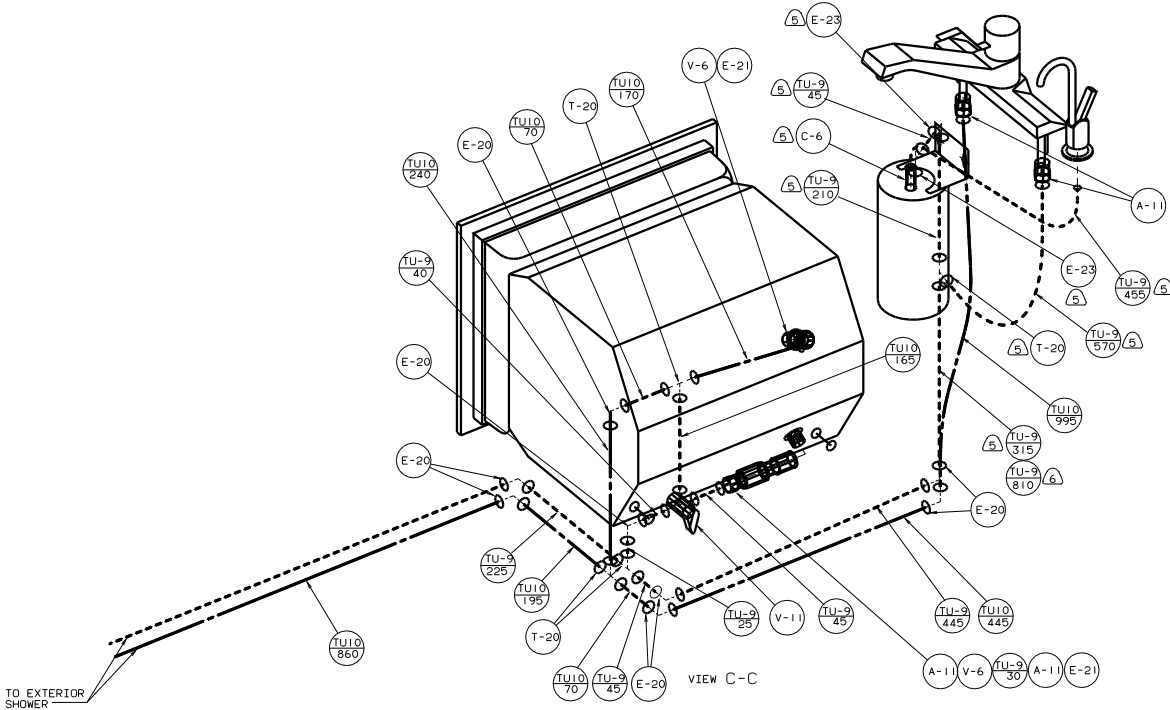
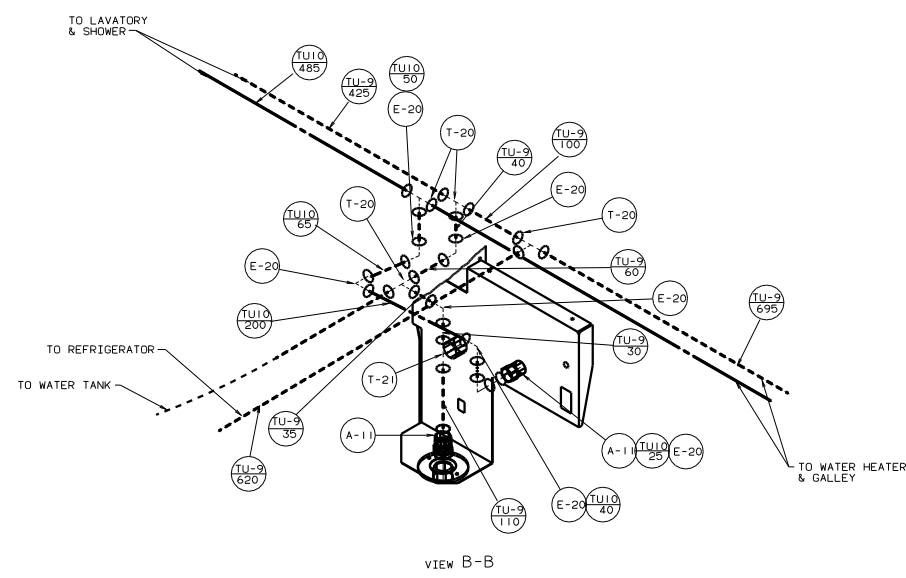
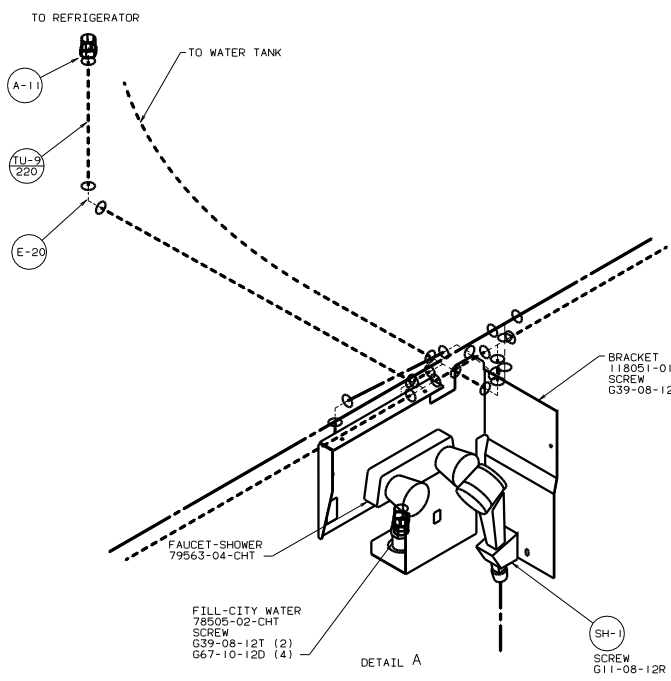
TO
WATER
SYSTEM

98 G30WD/F30WD

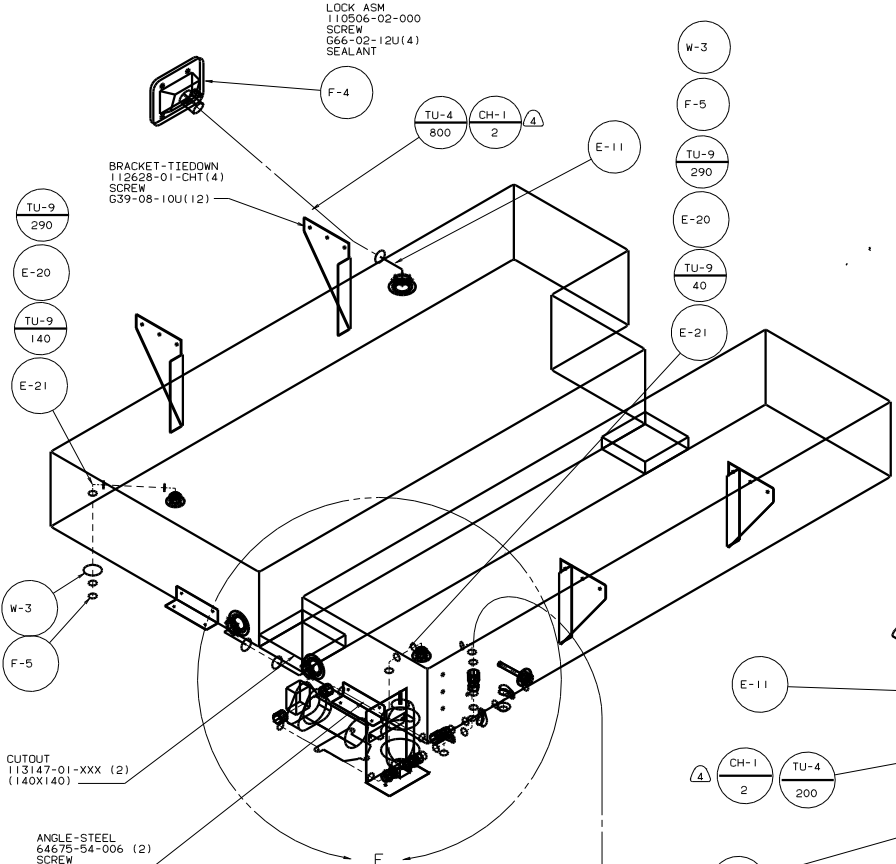
TITLE		126261	
WATER SYSTEM INSTL			
30 1/2" SCALE DRAWING	DATE	1.6	
SHEET 2 OF 5	REV		



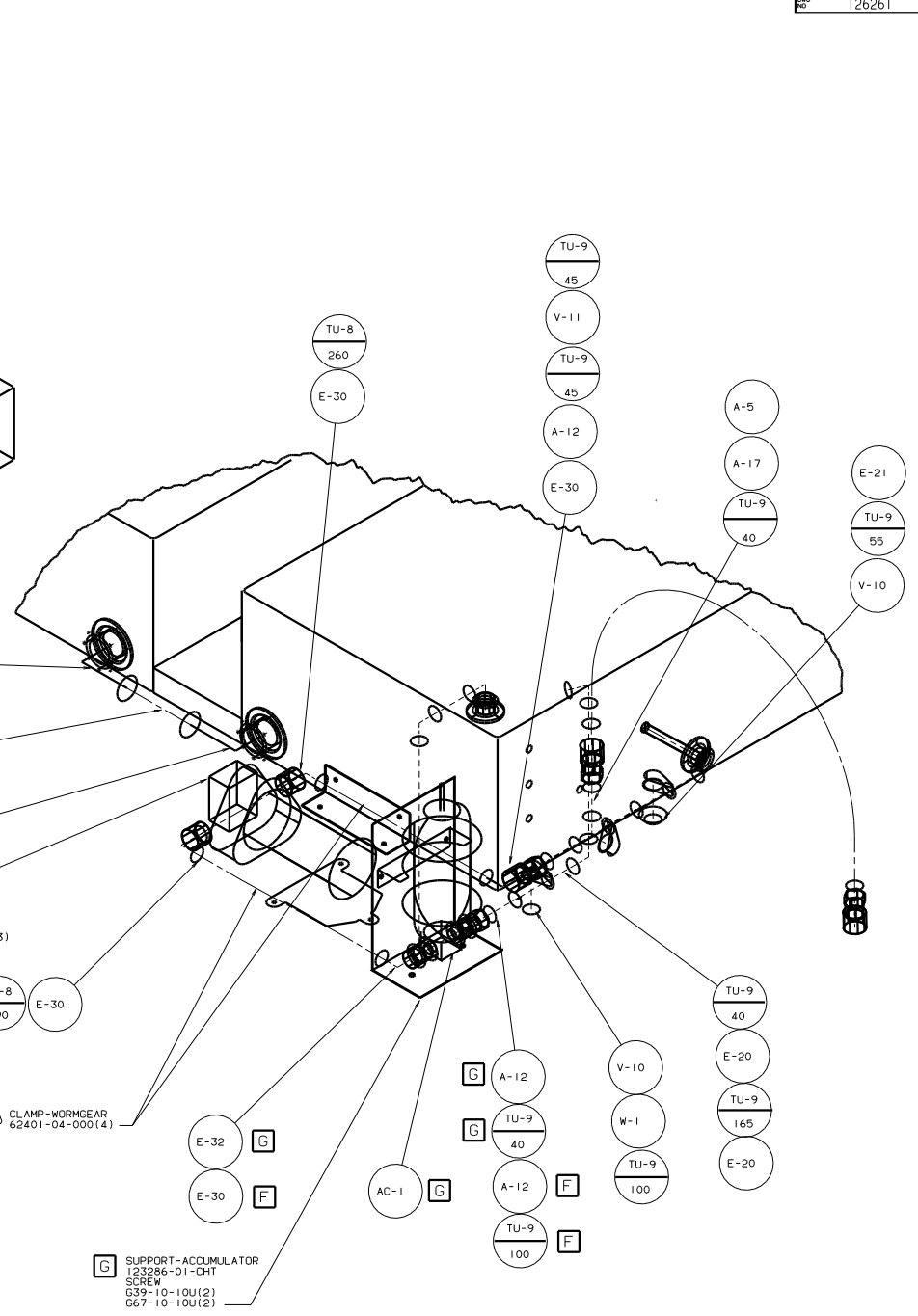
DETAIL D
ICM



LOCK ASM
110506-02-000
SCREW
G66-02-12U(4)
SEALANT



DETAIL E



DETAIL F