

- SHOWER ENCLOSURE INSTL
- 116119-01-000
- TAILPIECE
- 110690-01-000
- NUT
- 130403-01-000
- WASHER
- 127440-02-CHT
- STRAINER
- 56729-01-000
- SEALANT

- SINK-SST DOUBLE
- 104113-01-000
- STRAINER W/BASKET
- 92303-01-000(2)
- ANGLE-SINK, RETAINER
- 105497-01-00(2)
- 105497-02-000(4)
- SCREW
- G67-06-10U(22)
- SEAL
- 91255-02-000 (A/R)

- SINK-LAVATORY
- 96927-01-CHT
- TOILET-AQUA MAGIC
- 63740-02-000

- BRACKET
- 94756-03-XXX
- 111316-01-000
- NUT
- D39-05-00B(2)

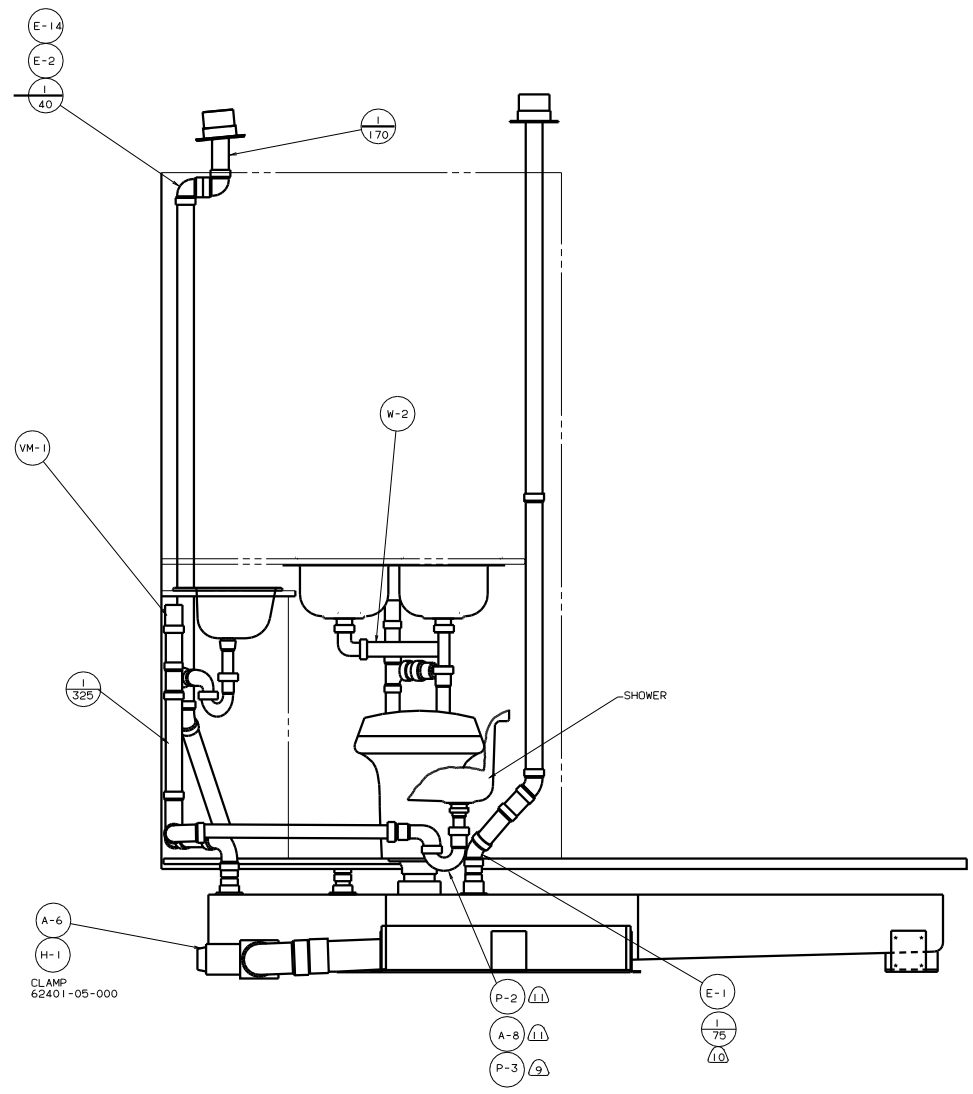
1. SECURE PIPES TO CABINET USING WIRE TIE 108046-02-000 AND SCREW G67-10-12U (8)
2. US ONLY
3. SECURE VENT TUBES TO FLOOR WITH BRACKET 95061-01-000(2), CLAMP 62401-02-000, SCREW G67-10-12B(2).
4. CSA ONLY.
5. ALL PIPE TO BE SUPPORTED AT 1200 INTERVALS MAXIMUM.
6. SEE DWG 61607-01-000 FOR INSTL OF GROMMET.
7. SEAL ALL AROUND SHOWER PAN.
8. VENT PIPE MUST PROJECT 51 MM MIN TO 64 MM MAX ABOVE ROOF FOR PROPER FIT AND FUNCTION.
9. ALL EXTERIOR OPENINGS AROUND PIPE TO BE SEALED.
10. ALL CWP AND FITTINGS TO BE ASSEMBLED WITH SOLVENT 4020-01-000.
11. SLOPE OF TRAP MUST BE 6 PER 300 MINIMUM.
12. SLOPE OF HORIZONTAL PIPING TO BE 6 PER 300 MINIMUM.

WINNEBAGO 97 F30R0

QTY IN	DATE	UNDESIGNATED TOLERANCES ARE:	MATERIAL
QTY IN	DATE	WHOLE DIM (1:1)	
PIE	DATE	ONE-PLACE (1:1)	
D/E	DATE	TWO-PLACE (1:10)	
M/E	DATE	MILL	
COMP	DATE	TRIGG WALK PRODUCTION	

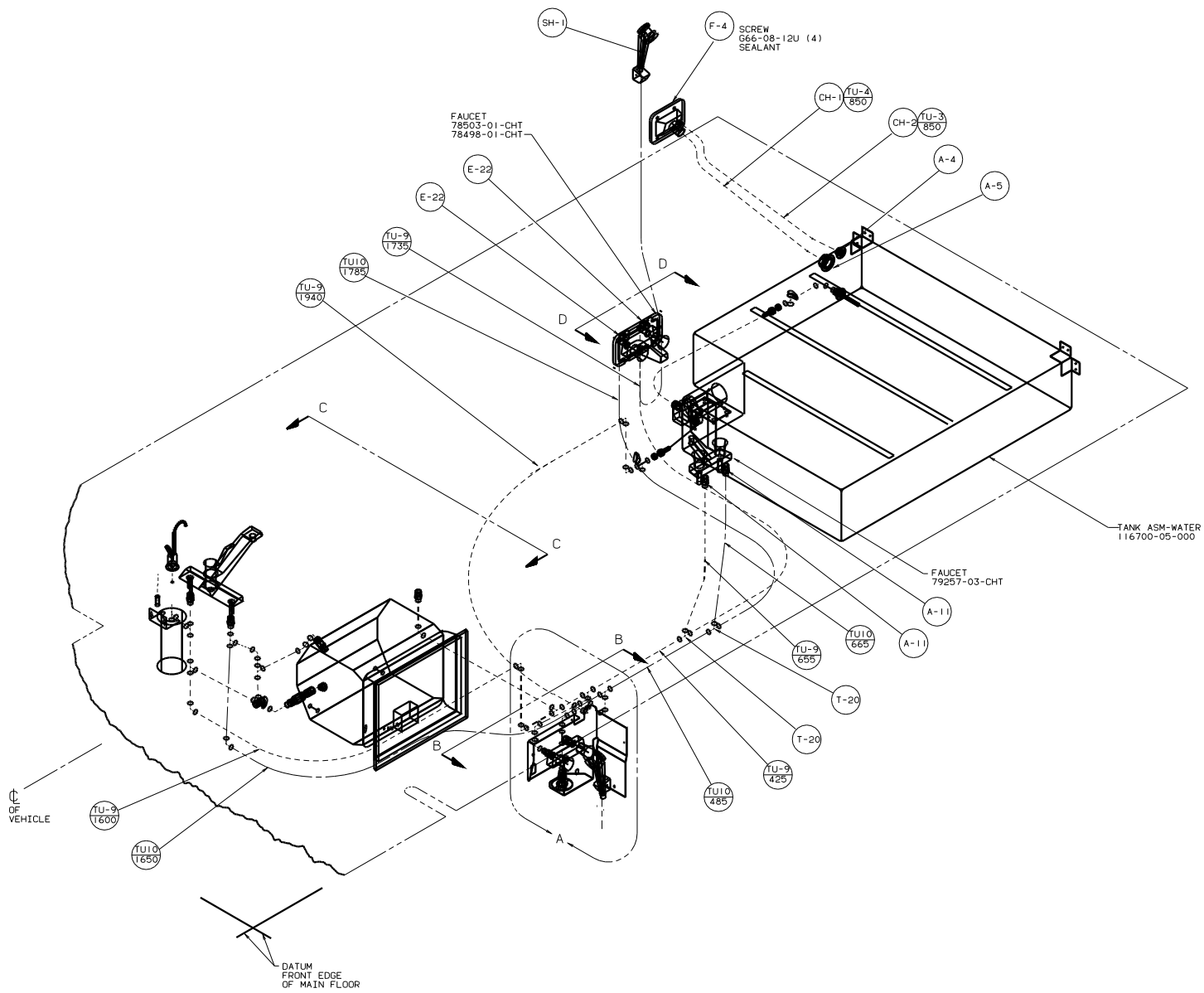
FRONT DRAINAGE CALLOUTS
 SEE DWG NO. 116229-01-000
 X-X

DRAINAGE SYSTEM INSTL
 D330R06
 SHEET 1 OF 2
 DATE 11/7568 G



97 F30RQ

TITLE: DRAINAGE SYSTEM INSTL	
DATE: 11/11/05	REV: 1
SHEET: 2 of 2	DWG NO: 122103

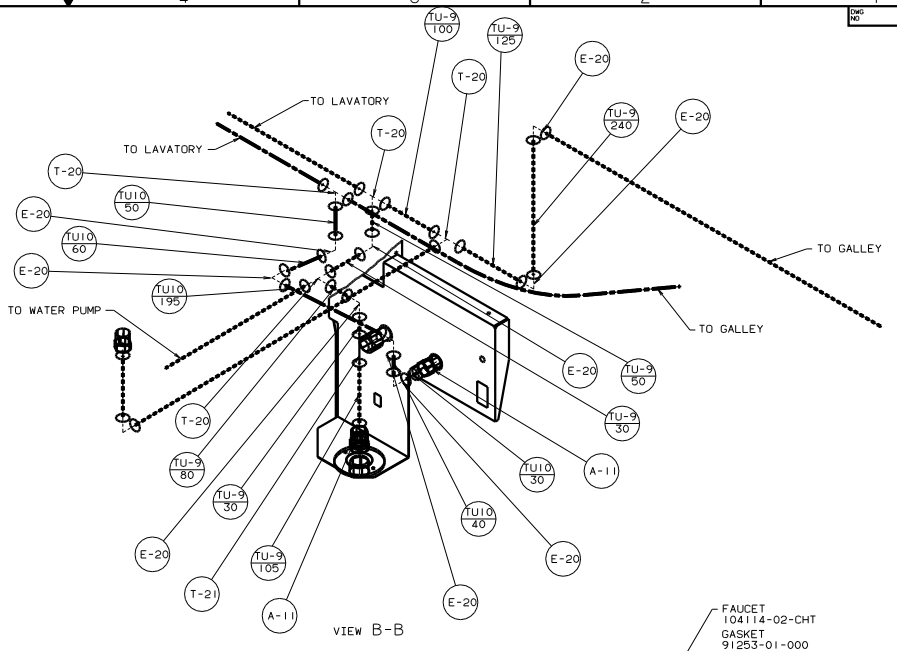
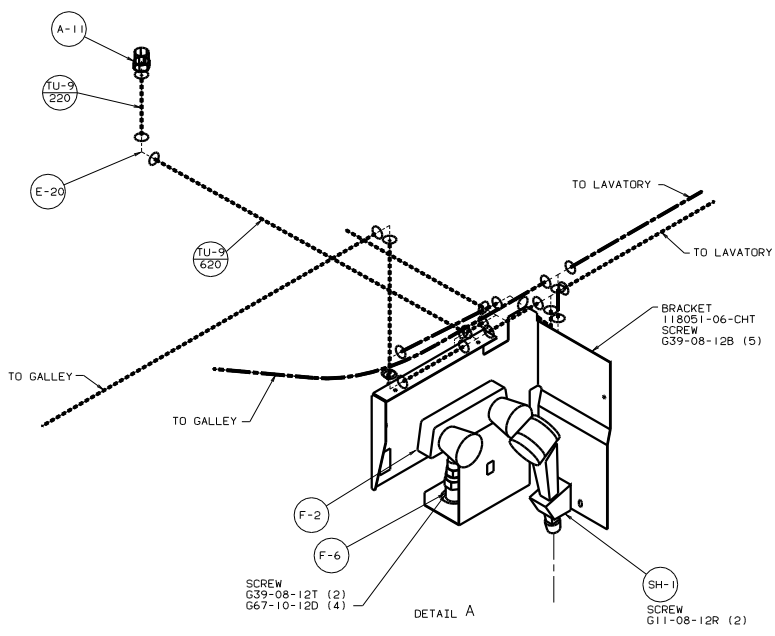


- NOTES:
1. PLASTIC FITTINGS TO BE SEALED WITH SEALANT 84456-01-000.
 2. TUBING TO BE INSTALLED WITH SUFFICIENT SLOPE TO PROVIDE DRAINAGE TO NEAREST VALVE.
 3. ALL TUBING TO BE SECURED AT 1200 INTERVALS MAX WITH CLAMP 10495-01-000 OR CLIP 91951-01-000 AND SCREW G67-10-12B.

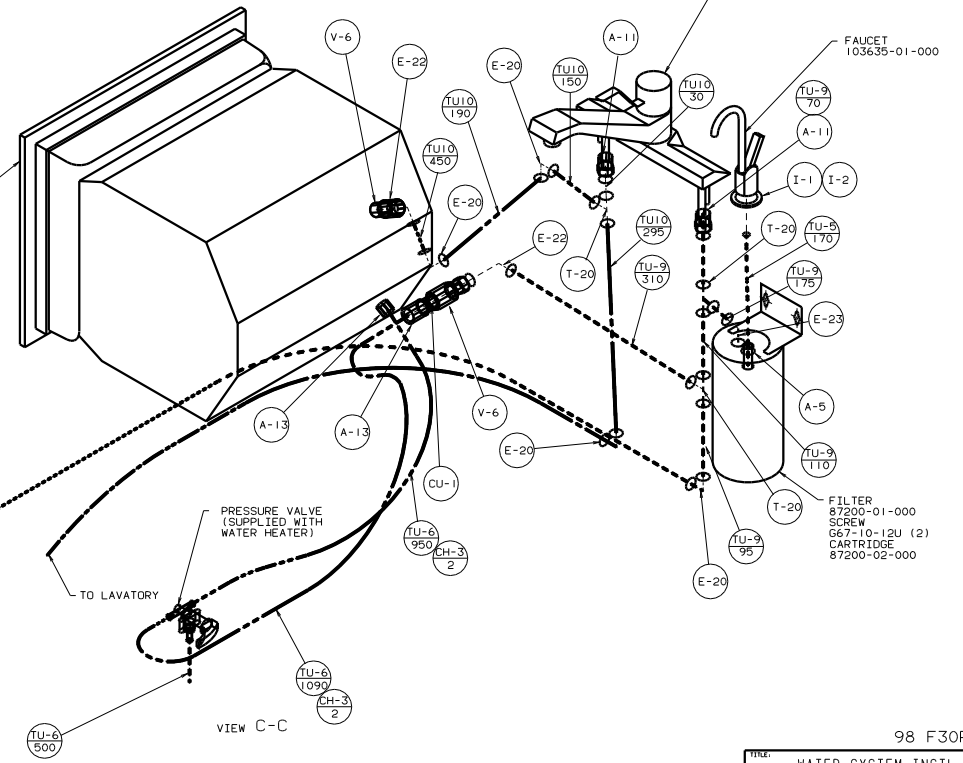
FOR WATER CALLOUTS SEE DWG NO. 116230-01-000

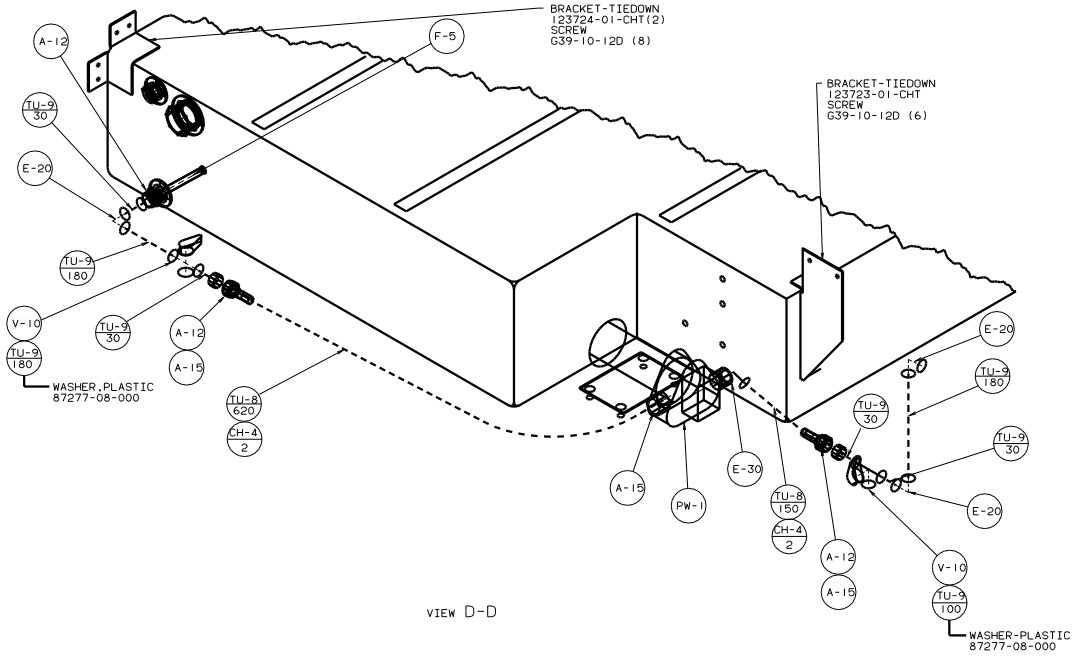
LEGEND	
HOT	=====
COLD	-----

WINNEBAGO		98 F30RD	
QTY	DATE	UNDESIGNED TOLERANCES ARE:	MATERIAL
CHG	DATE	WHOLE DIM (IN)	F
D/E	DATE	ONE-PLACE (IN.XI)	.
D/E	DATE	TWO-PLACE (IN.XX)	.01
D/E	DATE	THREE-PLACE (IN.XXX)	.001
D/E	DATE	ANGLE	
D/E	DATE	INDUS. W/OLE	
D/E	DATE	PRODUCTION	
LABOR	E30RD		
REV #	SCALE	NOTE	TITLE
ALL DIMENSIONS ARE IN MILLIMETERS	1 OF 3	1:1	WATER SYSTEM INSTL
			127877



- WATER HEATER
111129-01-000
- DOOR
78506-01-CHT
- GARNISH
2726-01-210 (2)
- 2726-01-212 (2)
- SCREW
G39-10-209 (18)
- SEALANT
CUTOUT
113147-01-XXX
(90 X 418)
- SCREW
G67-10-32B (2)





98 F30RD

TITLE: WATER SYSTEM INSTL	
30 100 SCALE 1:1	127877
SHEET 3 of 3	1 of 1