

- NOTES:
- 4. PRESSURE VALVE MUST BE BETWEEN THE WATER HEATER AND CHECK VALVE OR BYPASS KIT.
 - 3. ALL TUBING TO BE SECURED AT 1219 MAXIMUM SPACING WITH CLAMP 10495-01-000 AND SCREW G67-10-12B.
 - 2. PLASTIC FITTINGS TO BE SEALED WITH SEALANT 84456-01-000.
 - 1. TUBING TO BE INSTALLED WITH SUFFICIENT SLOPE TO PROVIDE DRAINAGE TO NEAREST VALVE.

WATER HEATER 51393-01-000
 DOOR 78506-01-CHT
 EXIT 2726-01-210
 SCREW 2726-01-212(2)
 SCREW G39-10-1691(18)
 SEALANT

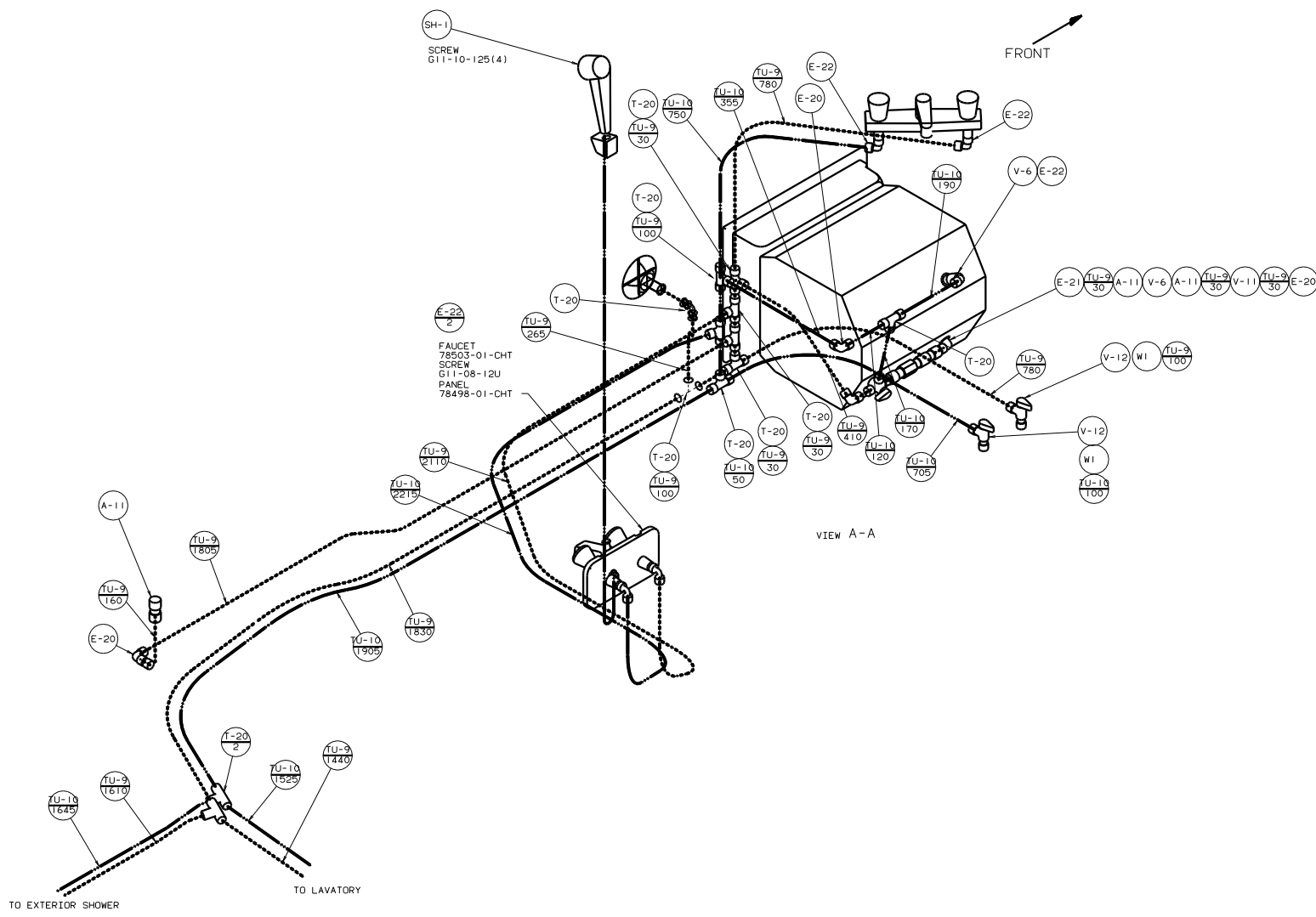
LEGEND

HOT	*****
COLD	*****

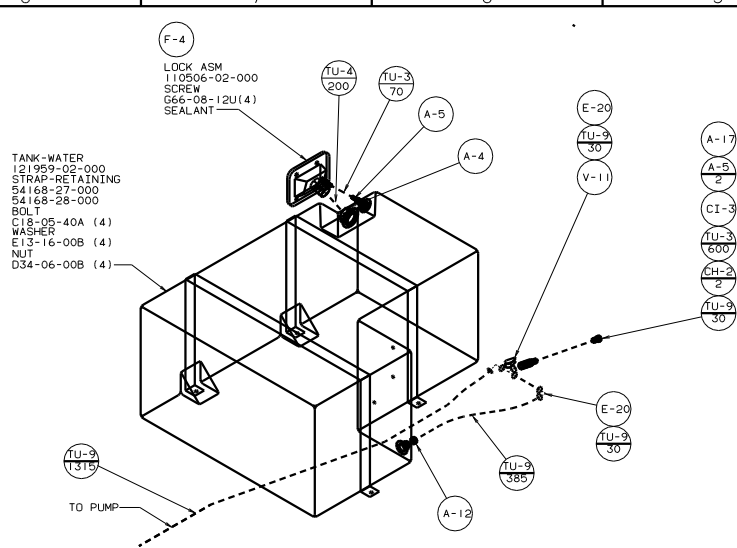
FOR CALLOUTS
 SEE DWG NO.
 116230-01-000

DATE		DESCRIPTION		MATERIAL	
DATE		PRODUCED	TOLERANCES ARE		
DATE		WHOLE SUPPLY	AS SHOWN		
DATE		ONE-PLACE	UNLESS NOTED		
DATE		TWO-PLACE	UNLESS NOTED		
DATE		THIRD-PLACE	UNLESS NOTED		
DATE		FOURTH-PLACE	UNLESS NOTED		
DATE		DECIMALS			
DATE		FRACTIONS			

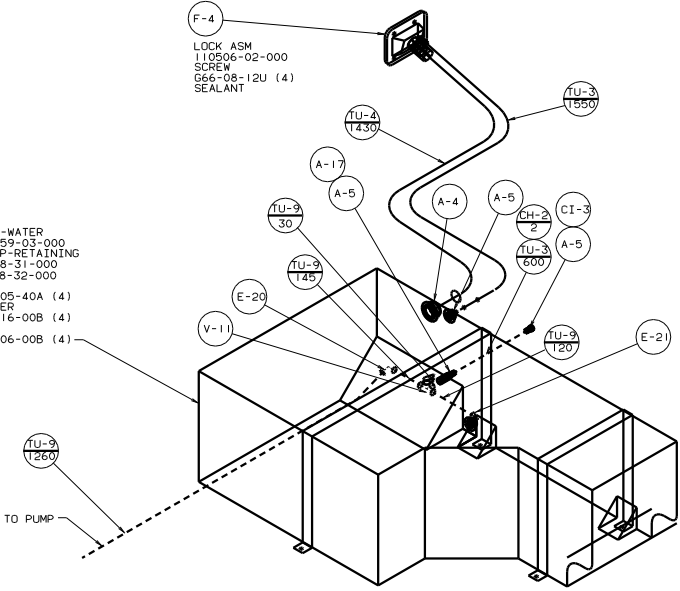
126736



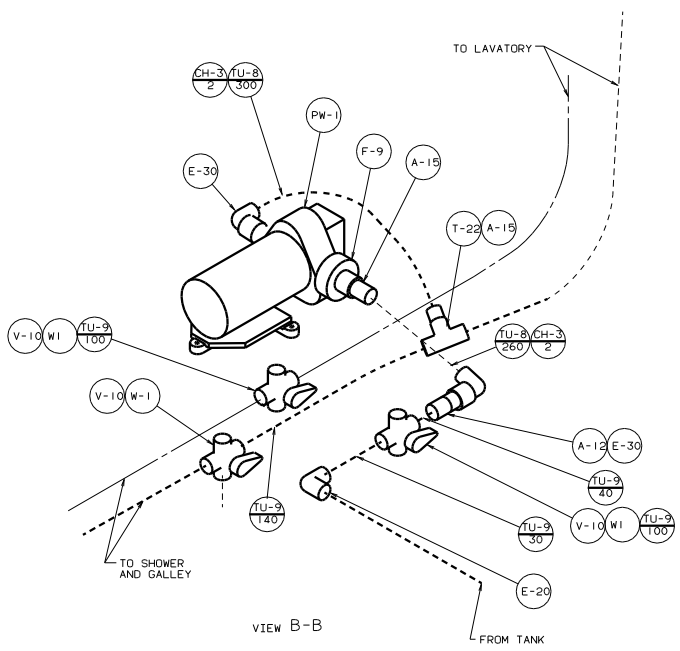
TITLE		WATER SYSTEM INSTL	
NO. OF SHEETS	DATE	REV.	BY
SHEET 2 OF 3		1.0	
PROJECT NO.		126736	



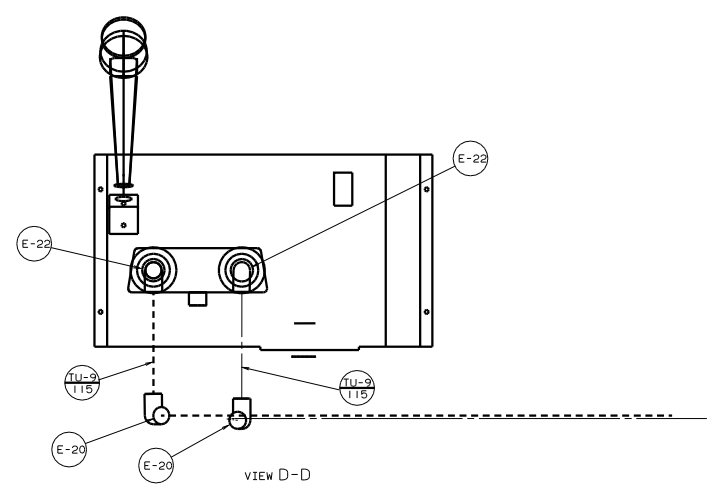
DETAIL A
(TWIN BEDS)
45G BED-TWINS



DETAIL C
(QUEEN BED)
49X BED-QUEEN, CENTERED



VIEW B-B



VIEW D-D