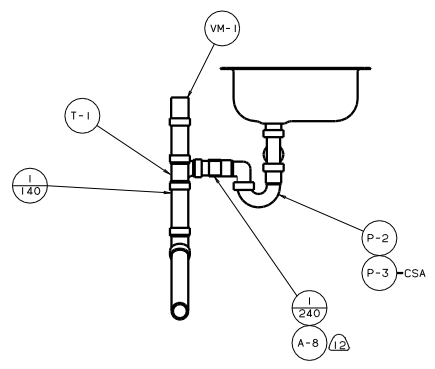


SHOWER INSTL-ENCLOSURE  
 102834-01-000  
 STRAINER  
 66729-01-000  
 SEALANT  
 NUT  
 130403-01-000  
 WASHER-RUBBER  
 127440-02-CHT  
 TAILPIECE  
 11069-03-000 (US)  
 11069-02-000 (CAN)



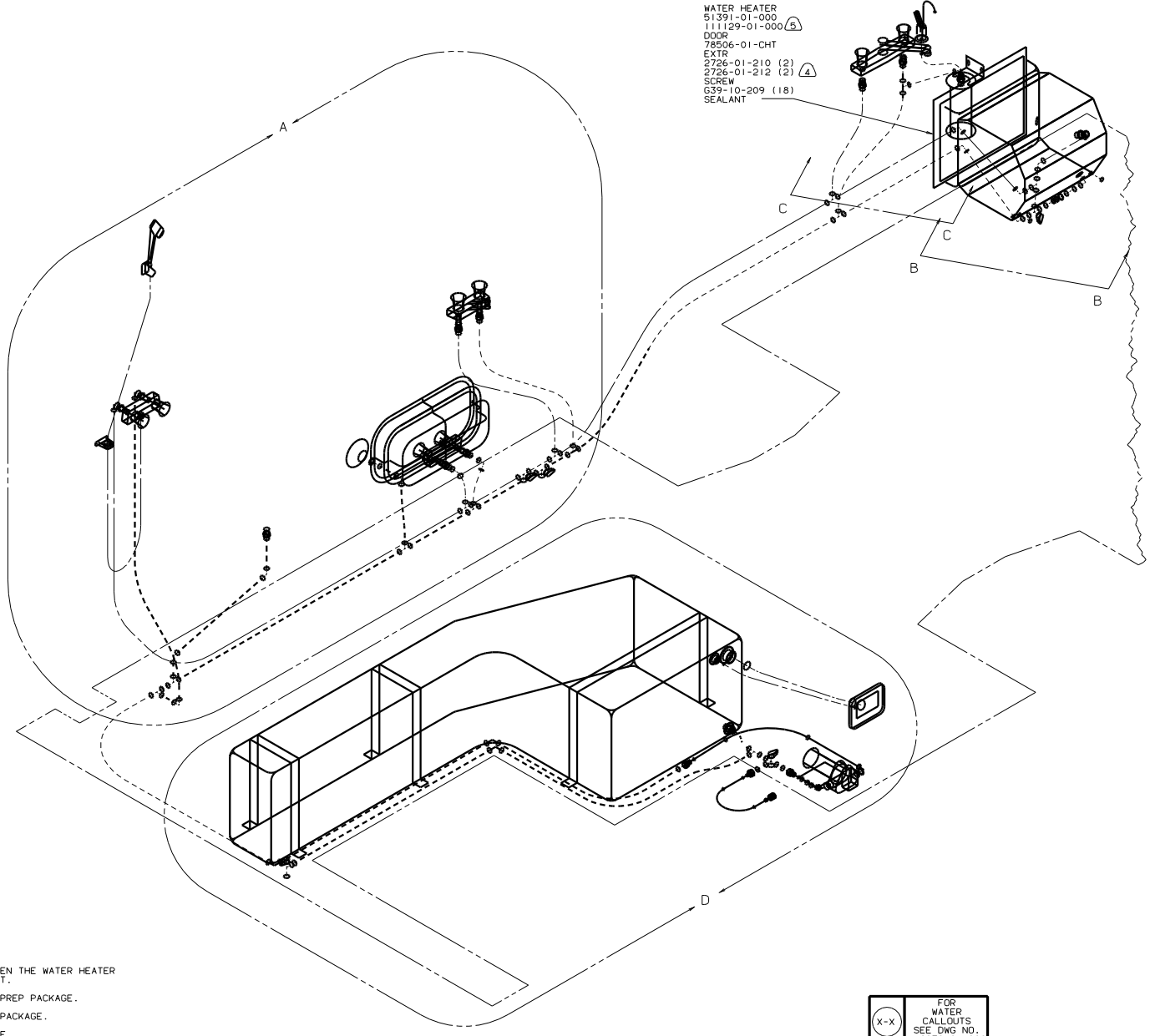
VIEW A-A

13. SECURE PIPES TO CABINET USING WIRE TIE 108046-02-000 AND SCREW G67-10-12U (8).
12. NOT USED ON CANADIAN UNITS.
11. TRIM P-TRAP EXTENSION TO FIT.
10. SECURE VENT TUBES TO FLOOR.
9. VENT PIPE MUST PROJECT 51 MM MIN AND 63.5 MM MAX ABOVE ROOF FOR PROPER FIT AND FUNCTION.
8. SEE DWG 61607-01-000 FOR INSTL OF GROMMET.
7. SEAL ALL AROUND SHOWER WITH SILICONE 78474-01-CHT.
6. FOR CANADA UNITS EACH HOLDING TANK SHALL HAVE A CSA APPROVAL STAMPED NEAR THE TAPMD APPROVAL.
5. EXPOSED PIPE ABOVE ROOF TO BE PAINTED 37163-01-000.
4. ALL EXTERIOR OPENINGS AROUND PIPE TO BE SEALED WITH 69637-01-000.
3. ALL PIPE AND FITTINGS TO BE ASSEMBLED WITH SOLVENT 4020-01-000.
2. SLOPE OF TRAP ARM MUST BE 6 PER 300.
1. SLOPE OF HORIZONTAL PIPING TO BE 6 PER 305 MIN.

FOR DRAINAGE CALLOUTS SEE DWG NO. 116229-01-000

WINNEBAGO		96 F28RC
DATE	PROPOSED TOLERANCES ARE:	MATERIAL:
DATE	WHOLE DIM (X)	+
P.E.	ONE-PLACE (1:1)	+
P.E.	TWO-PLACE (1:2)	+
P.E.	THREE-PLACE (1:4)	+
DATE	ANGLE	+
DATE	THIRD ANGLE PROJECTION	
DATE		
LAYER F28RC6	TITLE	DRAINAGE SYSTEM INSTL
SHEET NO	REF	115815 B 1
ALL DIMENSIONS ARE IN MILLIMETERS		REF: 115815 B 1

- WATER HEATER 51391-01-000
- 111129-01-000 (5)
- DOOR 78506-01-CHT
- EXTR 2726-01-210 (2)
- 2726-01-212 (2)
- SCREW 629-10-209 (18)
- SEALANT



- ⚠️ PRESSURE VALVE MUST BE BETWEEN THE WATER HEATER AND CHECK VALVE OR BYPASS KIT.
  - ⚠️ NOT USED WITH W.I.E. EXPORT PREP PACKAGE.
  - ⚠️ USE WITH W.I.E. EXPORT PREP PACKAGE.
  - ⚠️ MOUNT SHIELD TO HEATER FLANGE ABOVE EXHAUST VENT.
3. ALL TUBING TO BE SECURED AT 1219 SPACING MAXIMUM WITH CLAMP 10495-01-000 AND SCREW G67-10-12B.
  2. PLASTIC FITTINGS TO BE SEALED WITH SEALANT 84456-01-000.
  1. TUBING TO BE INSTALLED WITH SUFFICIENT SLOPE TO PROVIDE DRAINAGE TO NEAREST VALVE.

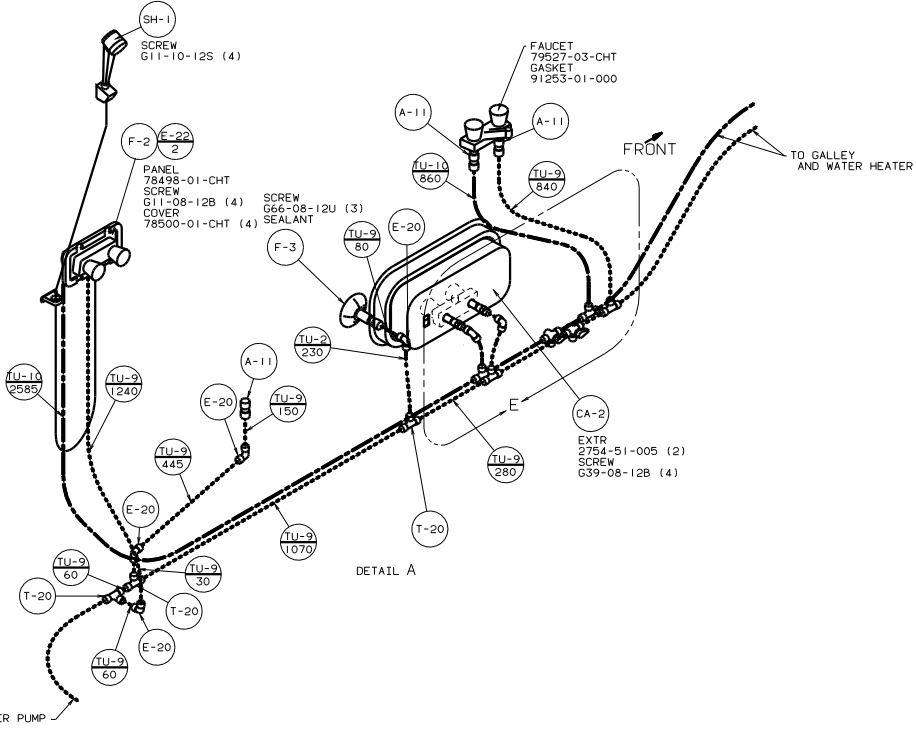
(X-X) FOR WATER CALLOUTS SEE DWG NO. 116230-01-000

LEGEND	
HOT	-----
COLD	*****

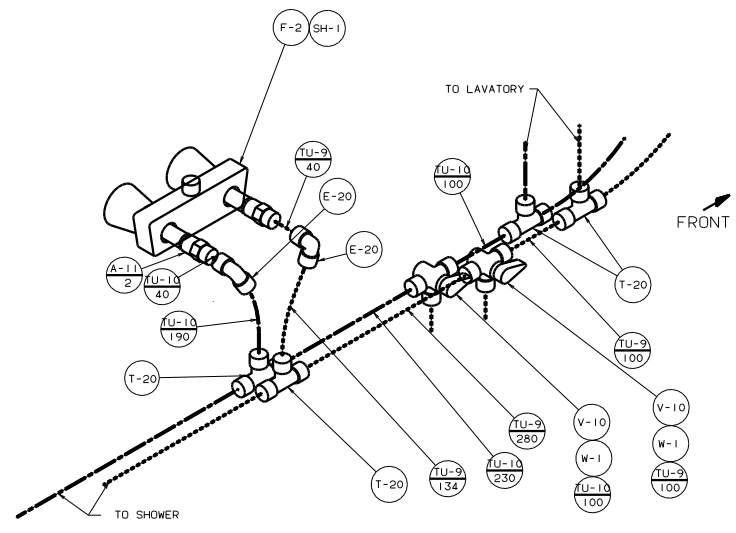
**WINNEBAGO** 97 F28RC

DATE	BY	REVISION	DESCRIPTION

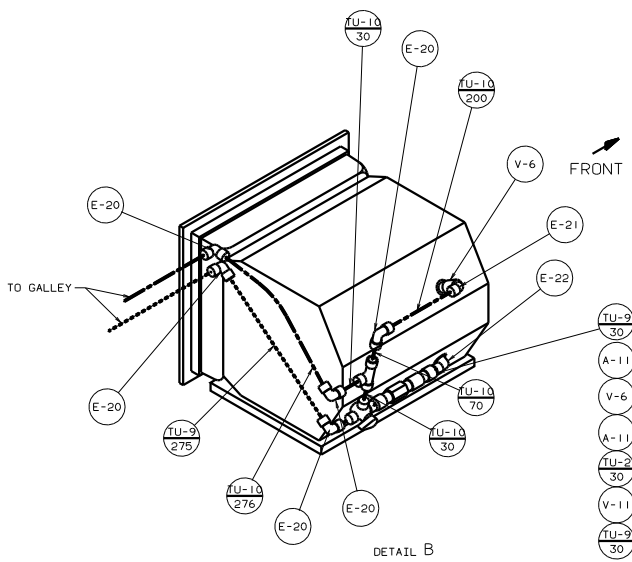
LAYER F28RC TITLE WATER SYSTEM INSTL  
 SIZE # SCALE NONE SHEET 1 OF 4 REF NO 124768



DETAIL A

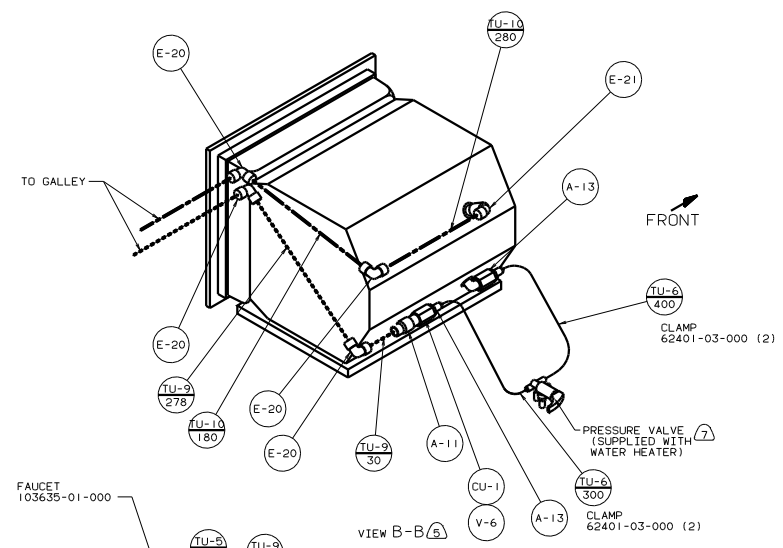


DETAIL E

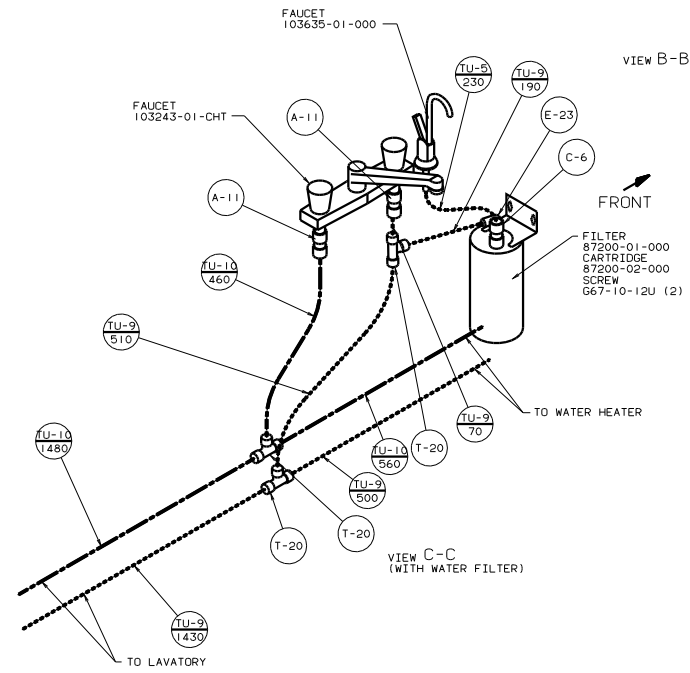


DETAIL B

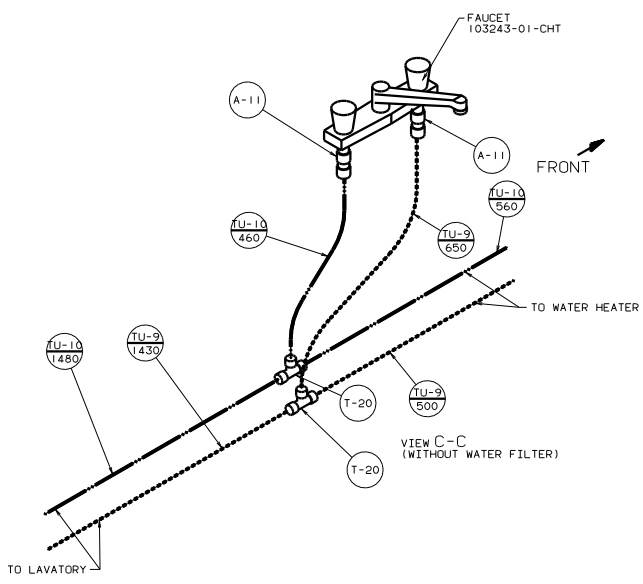
TITLE		WATER SYSTEM INSTL	
NO	SCALE	REV	DATE
1		1	
SHEET 2 OF 4		124768	



VIEW B-B (5)



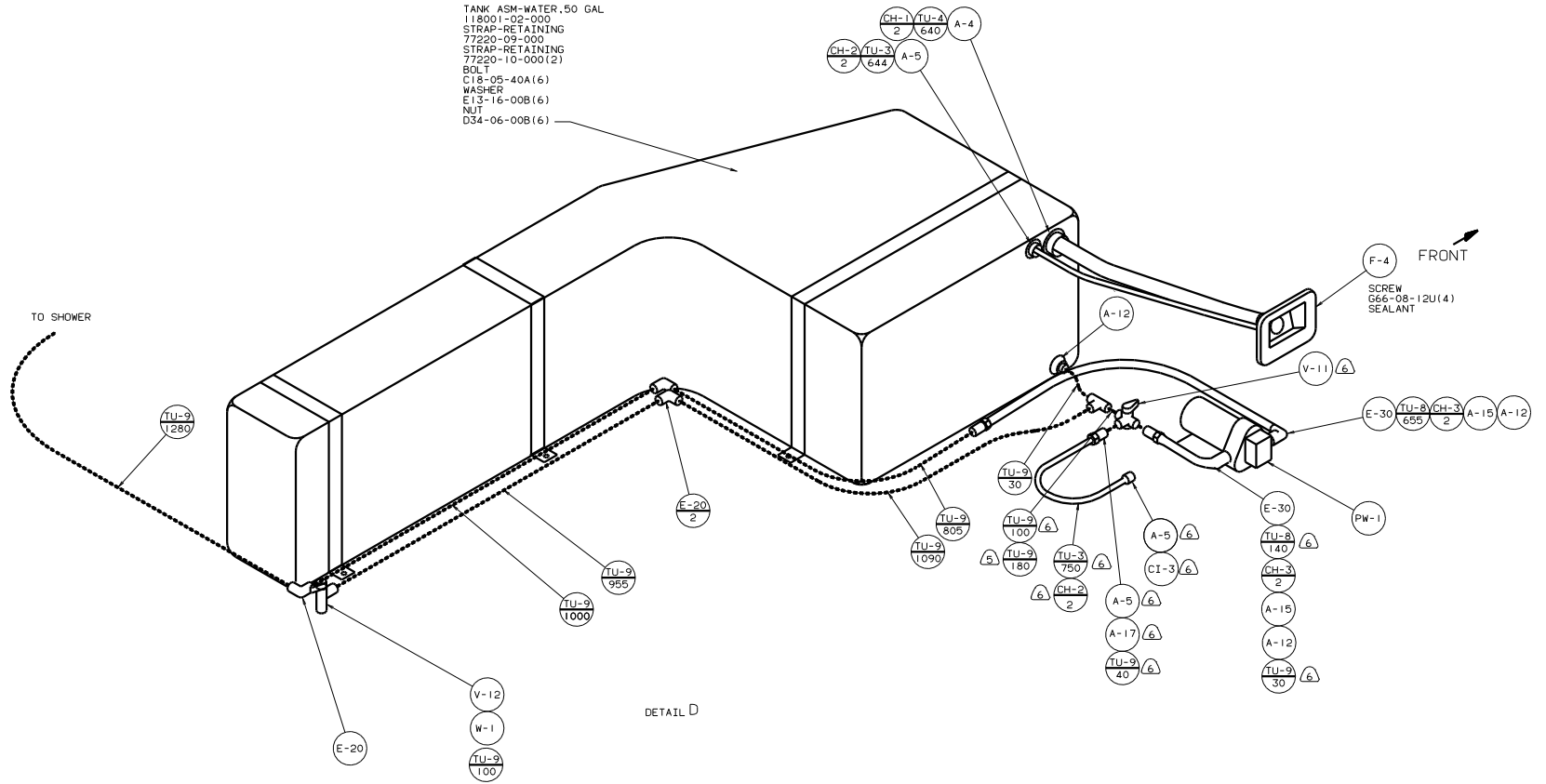
VIEW C-C (WITH WATER FILTER)



VIEW C-C (WITHOUT WATER FILTER)

TITLE: WATER SYSTEM INSTL	
30 1/2" SCALE DRAWING	REV
SHEET 3 OF 4	124768

TANK ASM-WATER, 50 GAL  
 118001-02-000  
 STRAP-RETAINING  
 77220-09-000  
 STRAP-RETAINING  
 77220-10-000(2)  
 BOLT  
 CI8-05-40A (6)  
 WASHER  
 E13-16-00B (6)  
 NUT  
 D34-06-00B (6)



DETAIL D

TITLE		WATER SYSTEM INSTL	
NO	SCALE	REV	DATE
1		1	
SHEET 4 of 4		124768	