

SINK-SST DOUBLE
 104113-01-000(US/CAN)
 RETAINER
 105497-01-000(4)
 SCREW
 G67-06-10U(8)
 STRAINER W/BASKET
 92303-01-000(2)
 SEAL
 91255-02-000(A/R)

SHOWER SURROUND
 104464-03-CHT
 SHOWER ENCLOSURE INSTL
 104466-01-000
 TAILPIECE
 11069-03-000
 WASHER
 127440-02-CHT
 NUT
 130403-01-000
 STRAINER-TUB, SHOWER DRAIN
 66723-01-000
 SEALANT

SINK-LAVATORY
 105921-01-CHT
 SPACER-SINK
 105218-01-CHT
 STRAINER ASM
 106116-01-CHT
 SEAL
 91255-02-000(A/R)

CLAMP
 62401-05-000(3)
 BRACKET
 95061-01-000(6)
 SCREW
 G67-10-12B(6)

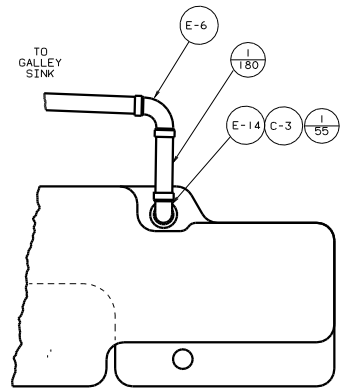
FRONT AXLE

- Ⓜ NOT USED ON CANADIAN UNITS.
 Ⓜ TRIM P-TRAP EXTENSION TO FIT.
 10 SECURE VENT TUBES TO FLOOR.
 Ⓜ VENT PIPE MUST PROJECT 51 MM MIN AND 63.5 MM MAX ABOVE ROOF FOR PROPER FIT AND FUNCTION.
 8. SEE DWG 61607-01-000 FOR INSTL OF GROMMETS.
 7. SEAL ALL AROUND SHOWER WITH SILICONE.
 6. FOR CAN UNITS EACH HOLDING TANK SHALL HAVE A CSA APPROVAL STAMPED NEAR THE IAMPO APPROVAL.
 5. EXPOSED PIPE ABOVE ROOF TO BE PAINTED 37163-01-000.
 4. ALL EXTERIOR OPENINGS AROUND PIPE TO BE SEALED WITH 110744-01-000.
 3. ALL PIPE AND FITTINGS TO BE ASSEMBLED WITH SOLVENT 4020-01-000.
 2. SLOPE OF TRAP ARM MUST BE 6 PER 305.
 1. SLOPE OF HORIZONTAL PIPING TO BE 6 PER 305 MIN.

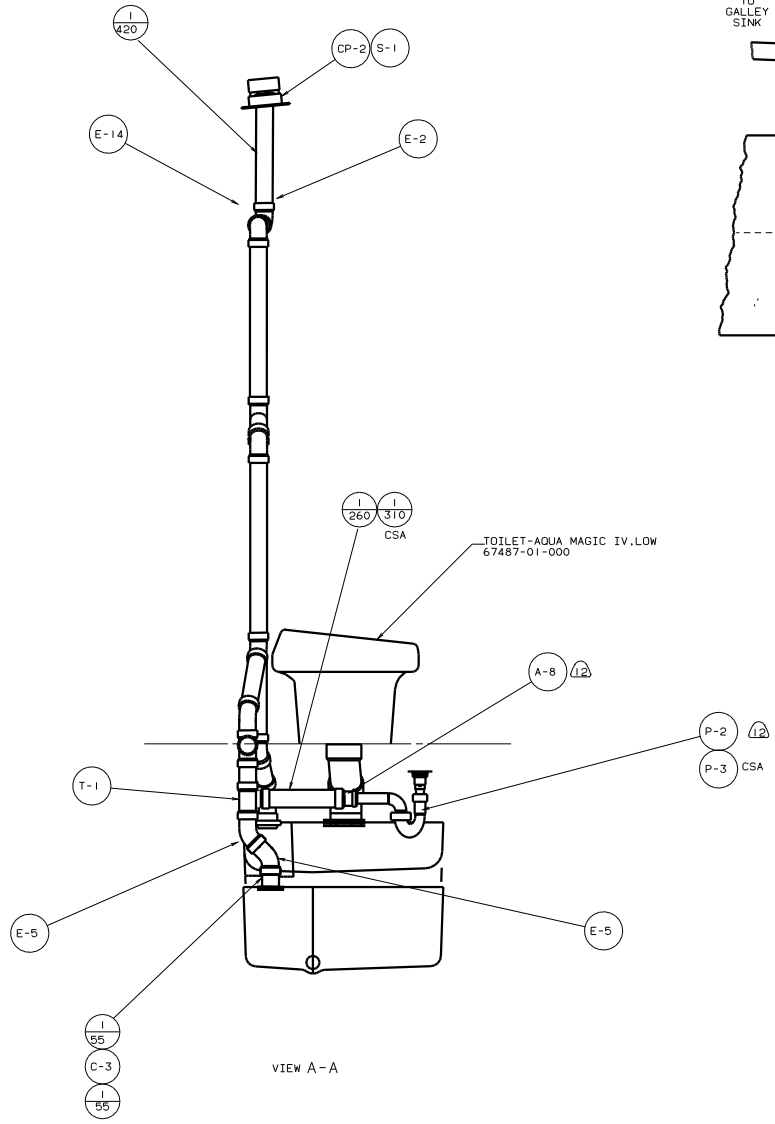
NOTES:

(X-X) FOR DRAINAGE CALLOUTS SEE DWG NO. 116229-01-000

WINNEBAGO		98 F26WU
QTY	DATE	UNDESIGNED TOLERANCES ARE:
CHD	DATE	WHOLE DIM (M) : ±
DT	DATE	ONE-PLACE (M, IN) : ±
DT	DATE	TWO-PLACE (M, IN) : ±
DT	DATE	THREE-PLACE (M, IN) : ±
DT	DATE	FOUR-PLACE (M, IN) : ±
DT	DATE	FIVE-PLACE (M, IN) : ±
DT	DATE	SIX-PLACE (M, IN) : ±
DT	DATE	SEVEN-PLACE (M, IN) : ±
DT	DATE	EIGHT-PLACE (M, IN) : ±
DT	DATE	NINE-PLACE (M, IN) : ±
DT	DATE	TEN-PLACE (M, IN) : ±
DT	DATE	ELEVEN-PLACE (M, IN) : ±
DT	DATE	TWELVE-PLACE (M, IN) : ±
DT	DATE	THIRTEEN-PLACE (M, IN) : ±
DT	DATE	FOURTEEN-PLACE (M, IN) : ±
DT	DATE	FIFTEEN-PLACE (M, IN) : ±
DT	DATE	SIXTEEN-PLACE (M, IN) : ±
DT	DATE	SEVENTEEN-PLACE (M, IN) : ±
DT	DATE	EIGHTEEN-PLACE (M, IN) : ±
DT	DATE	NINETEEN-PLACE (M, IN) : ±
DT	DATE	TWENTY-PLACE (M, IN) : ±
DT	DATE	TWENTY-ONE-PLACE (M, IN) : ±
DT	DATE	TWENTY-TWO-PLACE (M, IN) : ±
DT	DATE	TWENTY-THREE-PLACE (M, IN) : ±
DT	DATE	TWENTY-FOUR-PLACE (M, IN) : ±
DT	DATE	TWENTY-FIVE-PLACE (M, IN) : ±
DT	DATE	TWENTY-SIX-PLACE (M, IN) : ±
DT	DATE	TWENTY-SEVEN-PLACE (M, IN) : ±
DT	DATE	TWENTY-EIGHT-PLACE (M, IN) : ±
DT	DATE	TWENTY-NINE-PLACE (M, IN) : ±
DT	DATE	THIRTY-PLACE (M, IN) : ±
DT	DATE	THIRTY-ONE-PLACE (M, IN) : ±
DT	DATE	THIRTY-TWO-PLACE (M, IN) : ±
DT	DATE	THIRTY-THREE-PLACE (M, IN) : ±
DT	DATE	THIRTY-FOUR-PLACE (M, IN) : ±
DT	DATE	THIRTY-FIVE-PLACE (M, IN) : ±
DT	DATE	THIRTY-SIX-PLACE (M, IN) : ±
DT	DATE	THIRTY-SEVEN-PLACE (M, IN) : ±
DT	DATE	THIRTY-EIGHT-PLACE (M, IN) : ±
DT	DATE	THIRTY-NINE-PLACE (M, IN) : ±
DT	DATE	FOURTY-PLACE (M, IN) : ±
DT	DATE	FOURTY-ONE-PLACE (M, IN) : ±
DT	DATE	FOURTY-TWO-PLACE (M, IN) : ±
DT	DATE	FOURTY-THREE-PLACE (M, IN) : ±
DT	DATE	FOURTY-FOUR-PLACE (M, IN) : ±
DT	DATE	FOURTY-FIVE-PLACE (M, IN) : ±
DT	DATE	FOURTY-SIX-PLACE (M, IN) : ±
DT	DATE	FOURTY-SEVEN-PLACE (M, IN) : ±
DT	DATE	FOURTY-EIGHT-PLACE (M, IN) : ±
DT	DATE	FOURTY-NINE-PLACE (M, IN) : ±
DT	DATE	FIFTY-PLACE (M, IN) : ±
DT	DATE	FIFTY-ONE-PLACE (M, IN) : ±
DT	DATE	FIFTY-TWO-PLACE (M, IN) : ±
DT	DATE	FIFTY-THREE-PLACE (M, IN) : ±
DT	DATE	FIFTY-FOUR-PLACE (M, IN) : ±
DT	DATE	FIFTY-FIVE-PLACE (M, IN) : ±
DT	DATE	FIFTY-SIX-PLACE (M, IN) : ±
DT	DATE	FIFTY-SEVEN-PLACE (M, IN) : ±
DT	DATE	FIFTY-EIGHT-PLACE (M, IN) : ±
DT	DATE	FIFTY-NINE-PLACE (M, IN) : ±
DT	DATE	SIXTY-PLACE (M, IN) : ±
DT	DATE	SIXTY-ONE-PLACE (M, IN) : ±
DT	DATE	SIXTY-TWO-PLACE (M, IN) : ±
DT	DATE	SIXTY-THREE-PLACE (M, IN) : ±
DT	DATE	SIXTY-FOUR-PLACE (M, IN) : ±
DT	DATE	SIXTY-FIVE-PLACE (M, IN) : ±
DT	DATE	SIXTY-SIX-PLACE (M, IN) : ±
DT	DATE	SIXTY-SEVEN-PLACE (M, IN) : ±
DT	DATE	SIXTY-EIGHT-PLACE (M, IN) : ±
DT	DATE	SIXTY-NINE-PLACE (M, IN) : ±
DT	DATE	SEVENTY-PLACE (M, IN) : ±
DT	DATE	SEVENTY-ONE-PLACE (M, IN) : ±
DT	DATE	SEVENTY-TWO-PLACE (M, IN) : ±
DT	DATE	SEVENTY-THREE-PLACE (M, IN) : ±
DT	DATE	SEVENTY-FOUR-PLACE (M, IN) : ±
DT	DATE	SEVENTY-FIVE-PLACE (M, IN) : ±
DT	DATE	SEVENTY-SIX-PLACE (M, IN) : ±
DT	DATE	SEVENTY-SEVEN-PLACE (M, IN) : ±
DT	DATE	SEVENTY-EIGHT-PLACE (M, IN) : ±
DT	DATE	SEVENTY-NINE-PLACE (M, IN) : ±
DT	DATE	EIGHTY-PLACE (M, IN) : ±
DT	DATE	EIGHTY-ONE-PLACE (M, IN) : ±
DT	DATE	EIGHTY-TWO-PLACE (M, IN) : ±
DT	DATE	EIGHTY-THREE-PLACE (M, IN) : ±
DT	DATE	EIGHTY-FOUR-PLACE (M, IN) : ±
DT	DATE	EIGHTY-FIVE-PLACE (M, IN) : ±
DT	DATE	EIGHTY-SIX-PLACE (M, IN) : ±
DT	DATE	EIGHTY-SEVEN-PLACE (M, IN) : ±
DT	DATE	EIGHTY-EIGHT-PLACE (M, IN) : ±
DT	DATE	EIGHTY-NINE-PLACE (M, IN) : ±
DT	DATE	NINETY-PLACE (M, IN) : ±
DT	DATE	NINETY-ONE-PLACE (M, IN) : ±
DT	DATE	NINETY-TWO-PLACE (M, IN) : ±
DT	DATE	NINETY-THREE-PLACE (M, IN) : ±
DT	DATE	NINETY-FOUR-PLACE (M, IN) : ±
DT	DATE	NINETY-FIVE-PLACE (M, IN) : ±
DT	DATE	NINETY-SIX-PLACE (M, IN) : ±
DT	DATE	NINETY-SEVEN-PLACE (M, IN) : ±
DT	DATE	NINETY-EIGHT-PLACE (M, IN) : ±
DT	DATE	NINETY-NINE-PLACE (M, IN) : ±
DT	DATE	HUNDRED-PLACE (M, IN) : ±

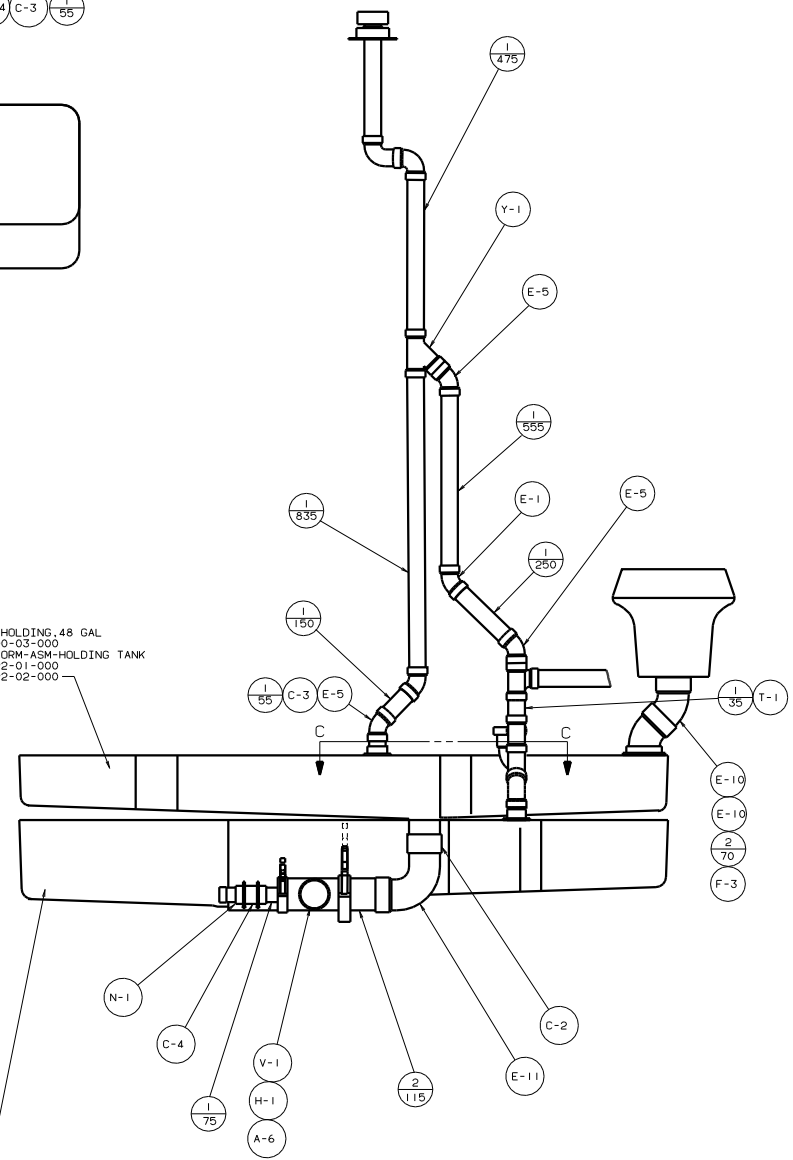


VIEW C-C



VIEW A-A

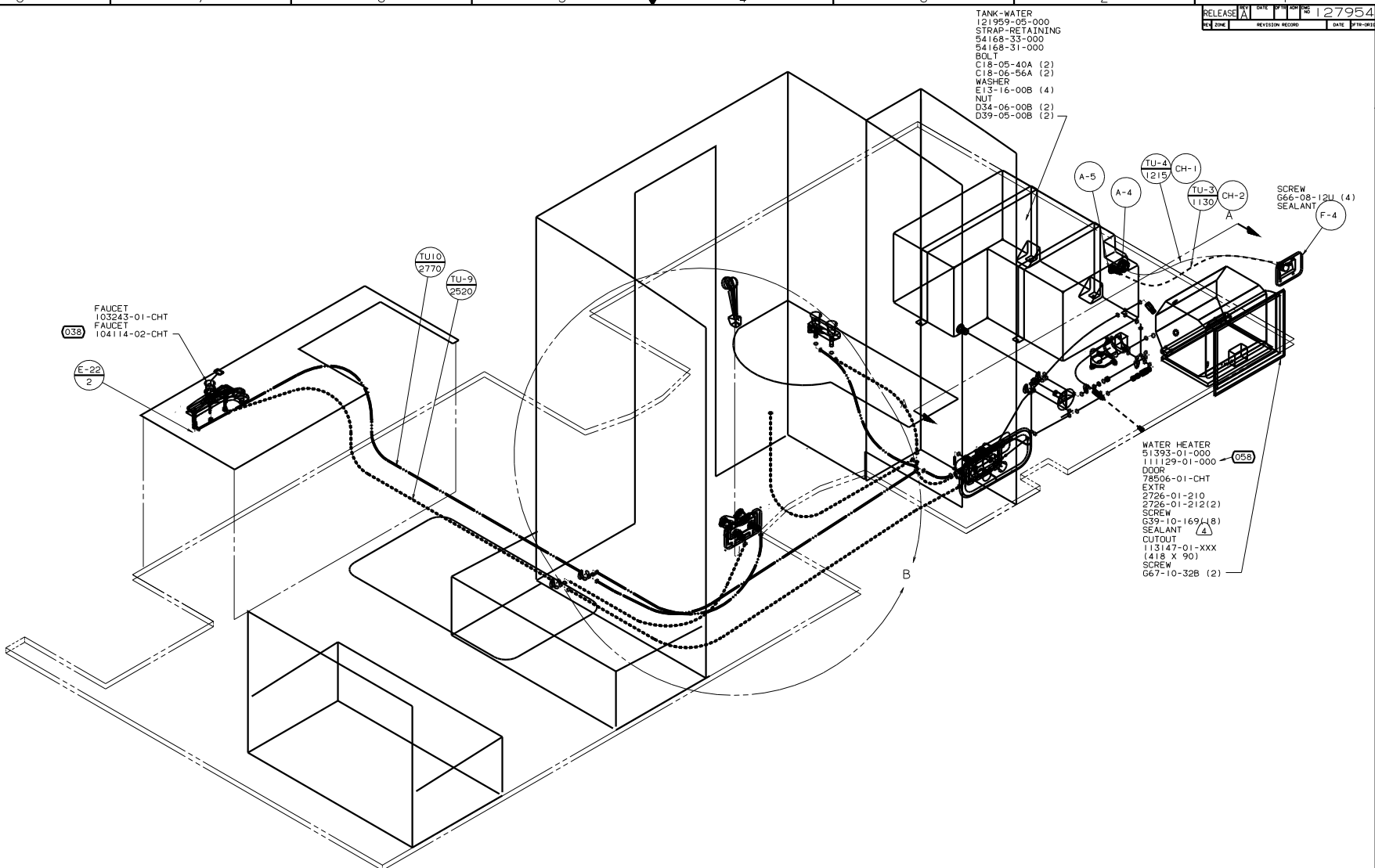
TANK-HOLDING, 48 GAL
 121500-03-000
 PLATFORM-ASM-HOLDING TANK
 122992-01-000
 122992-02-000



VIEW B-B

98 F26WU

TITLE		DRAINAGE SYSTEM INSTL	
NO. OF SHEETS	2	OF	2
SHEET	2	OF	2
DATE		REV	1
		NO	127759



- TANK-WATER 121959-05-000
- STRAP-RETAINING 54168-33-000
- 54168-31-000
- BOLT C18-05-40A (2)
- C18-06-56A (2)
- WASHER E13-16-00B (4)
- NUT D34-06-00B (2)
- D39-05-00B (2)

- WATER HEATER 51393-01-000
- 111129-01-000 (058)
- DOOR 78506-01-CHT
- EXTR 2726-01-210
- 2726-01-212(2)
- SCREW 639-10-169(18)
- SEALANT CUTOUT 113147-01-XXX (418 X 90)
- SCREW 667-10-32B (2)

FAUCET 103243-01-CHT
 FAUCET 104114-02-CHT

E-22
 2

TU-10
 2770

TU-9
 2520

FOR WATER CALLOUTS SEE DWG NO. 116230-01-000

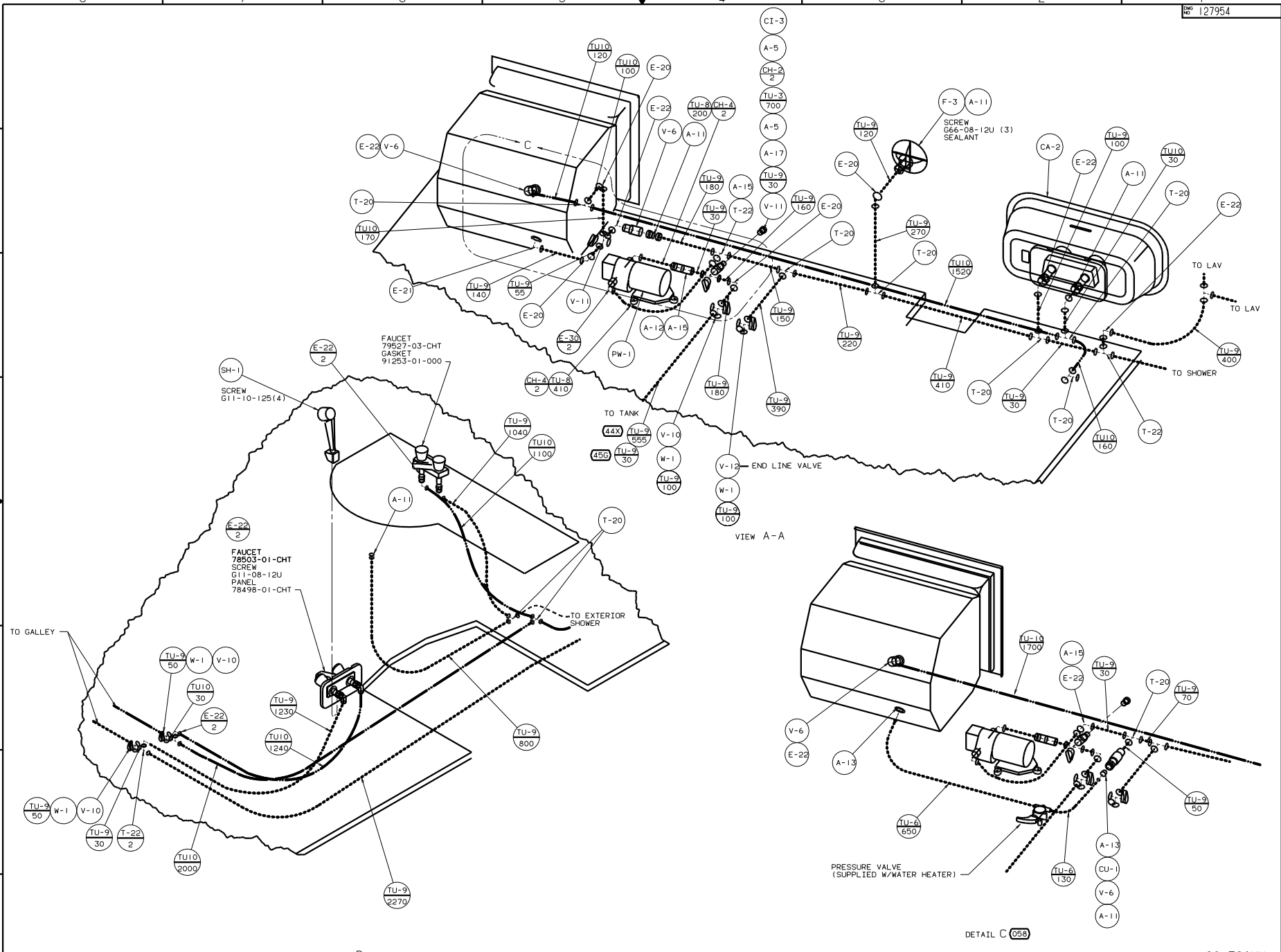
- (458) BED-TWINS
- (44X) BED-QUEEN-SIDEWALL
- (058) EUROPEAN EXPORT PREP-PARTIAL
- (038) CABINET DOOR/FAUCET EXCHANGE

4. LOCATE CUTOUT TO SUPPORT WATER HEATER.
3. ALL TUBING TO BE SECURED AT 1200 INTERVALS MAXIMUM WITH CLAMP 10495-01-000 OR CLIP 91951-01-000 AND SCREW G67-10-12B.
2. TUBING TO BE SECURED WITH SUFFICIENT SLOPE TO PROVIDE DRAINAGE TO NEAREST VALVE.
1. PLASTIC FITTINGS TO BE SEALED WITH SEALANT 84456-01-000.

LEGEND	
HOT	*****
COLD	*****

		98 F26WU	
DATE	DATE	UNDESIGNED TOLERANCES ARE:	MATERIAL
DATE	DATE	ONE-PLACE (X.XX)	
DATE	DATE	TWO-PLACE (X.XXX)	
DATE	DATE	THREE-PLACE (X.XXX)	
DATE	DATE	THREE-PLACE (X.XXX)	
DATE	DATE	THREE-PLACE (X.XXX)	

LAYOUT NO. F26WU8 TITLE: WATER SYSTEM INSTL
 DIA # SCALE: NONE TO THE SCALE SHOWN THE DIA #
 ALL DIMENSIONS ARE IN MILLIMETERS SHEET 1 OF 3 1:1 127954



DETAIL B

DETAIL C (058)

TITLE		WATER SYSTEM INSTL	
NO. OF SHEETS	NO. OF SHEETS	NO. OF SHEETS	NO. OF SHEETS
2	3	1	1
DRAWING NO.		127954	

TANK-WATER
 121959-05-000
 STRAP-RETAINING
 54168-33-000
 54168-31-000
 BOLT
 C18-05-40A (2)
 C18-05-56A (2)
 WASHER
 E13-16-00B (4)
 NUT
 D34-06-00B (2)
 D39-05-00B (2)

F-4
 LOCK ASM
 110506-02-000
 SCREW
 G66-08-12U (4)
 SEALANT

TU-2
 360
 CH-1
 A-4
 TU-3
 400
 CH-2
 A-5

TU-9
 645
 E-20
 TU-9
 1030

TU-9
 990
 A-4

TU-9
 30

E-20

45G BED-TWINS

LEGEND	
HOT	—————
COLD	- - - - -

TITLE: WATER SYSTEM INSTL		98 F26WU	
NO. OF SHEETS	REV	DATE	BY
SHEET 3 OF 3	1.0		
			127954