

- ② SECURE PIPES TO CABINET USING WIRE TIE 108046-02-000 AND SCREW G67-10-12U(8).
- ① SECURE VENT TUBES TO FLOOR.
- ⑩ INCLUDED WITH GALLEY STRAINER.
- ⑨ VENT PIPE MUST PROJECT 51 MM MIN AND 63.5 MM MAX ABOVE ROOF FOR PROPER FIT AND FUNCTION.
- ⑧ SEE DWG 61607-01-000 FOR INSTL OF GROMMET.
- ⑦ SEAL ALL AROUND SHOWER WITH SILICONE 78474-01-CHT.
6. FOR CAN UNITS EACH HOLDING TANK SHALL HAVE A CSA APPROVAL STAMPED NEAR THE IAPMO APPROVAL.
5. EXPOSED PIPE ABOVE ROOF TO BE PAINTED 37163-01-000.
4. ALL EXTERIOR OPENINGS AROUND PIPE TO BE SEALED WITH 69637-01-000.
3. ALL PIPE AND FITTINGS TO BE ASSEMBLED WITH SOLVENT 4020-01-000.
2. SLOPE OF TRAP ARM MUST BE 6 PER 305.
1. SLOPE OF HORIZONTAL PIPING TO BE 6 PER 305 MINIMUM.

- SCREW
 G67-10-12B (8)
 BRACKET
 35061-01-000 (8)
 CLAMP
 62401-05-000 (4)

- TANK-HOLDING, 30 GAL
 117925-02-000
 PLATFORM ASM
 122992-02-000
 122992-06-000
- TANK-HOLDING, 35 GAL
 117924-02-000

FOR DRAINAGE CALLOUTS SEE DWG NO. 116229-01-000

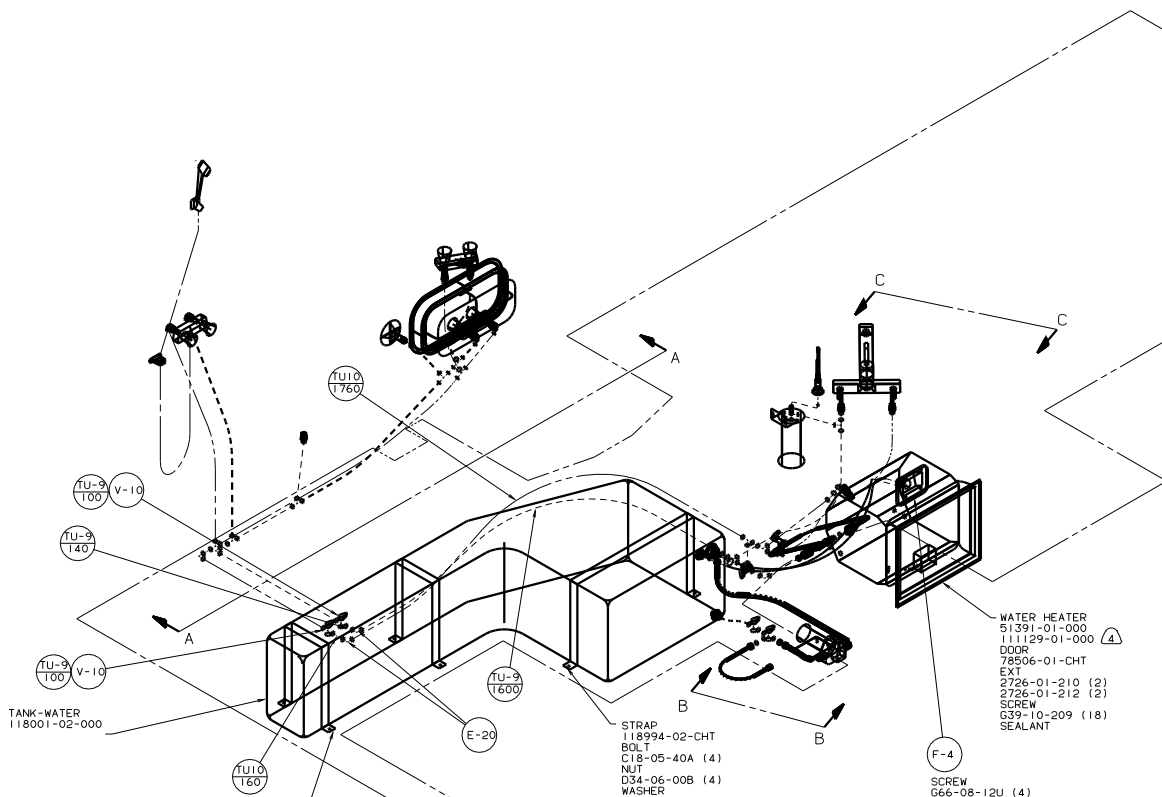
DATE	DESCRIPTION	BY	CHKD
11/80/17	ISSUE FOR INSTL		
	REV. PLACE (R, A)		
	REV. PLACE (R, A)		
	DATE		
	DATE		
	DATE		

Winnemago 96 F25RC

DRAINAGE SYSTEM INSTL

SCALE: NOTE TO THE SCALE SHOWN

SHEET 1 OF 1



- WATER HEATER
 51391-01-000
 111129-01-000 (4)
 DOOR
 78506-01-CHT
 EXT
 2726-01-210 (2)
 2726-01-212 (2)
 SCREW
 G39-10-209 (18)
 SEALANT
 F-4
 SCREW
 G66-08-12U (4)

- STRAP
 118994-02-CHT
 BOLT
 C18-05-40A (4)
 NUT
 D34-06-00B (4)
 WASHER
 E13-16-00B (4)

TANK-WATER
 118001-02-000

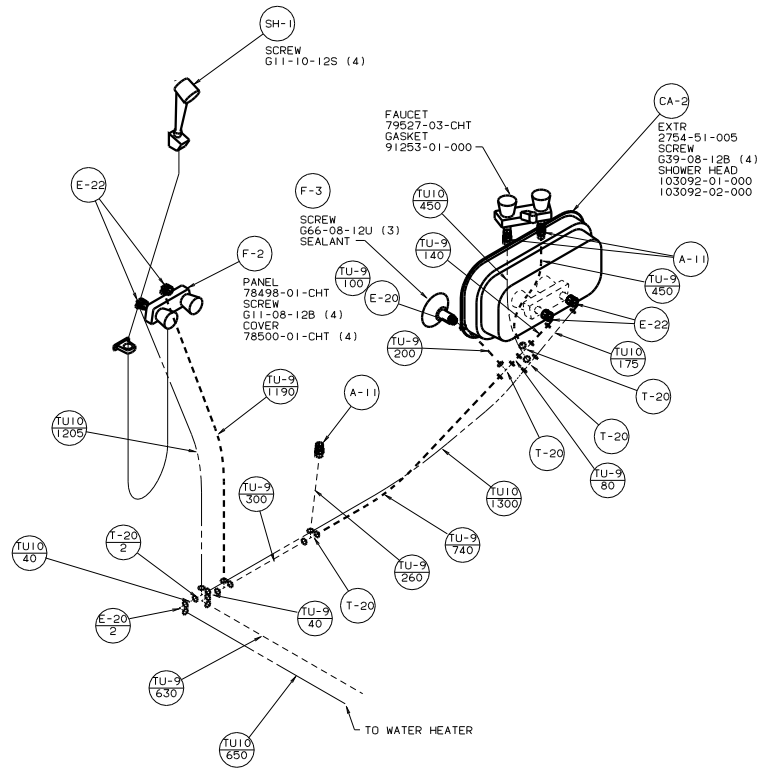
- STRAP
 118994-01-CHT (2)
 BOLT
 C18-05-40A (4)
 NUT
 D34-06-00B (4)
 WASHER
 E13-16-00B (4)

- NOTES:
 1. TUBING TO BE INSTALLED WITH SUFFICIENT SLOPE TO PROVIDE DRAINAGE TO NEAREST VALVE.
 2. PLASTIC FITTINGS TO BE SEALED WITH SEALANT 84456-01-000.
 3. ALL TUBING TO BE SECURED AT 1219 SPACING MAXIMUM WITH CLAMP 10495-01-000 AND SCREW G67-10-12B.
 4. USE WITH W.I.E. EXPORT PREP PACKAGE.
 5. PRESSURE VALVE MUST BE BETWEEN THE WATER HEATER AND CHECK VALVE OR BYPASS KIT.
 6. USE WITH W.I.E. EXPORT PACKAGE.
 7. NOT USED WITH WIE EXPORT PACKAGE.

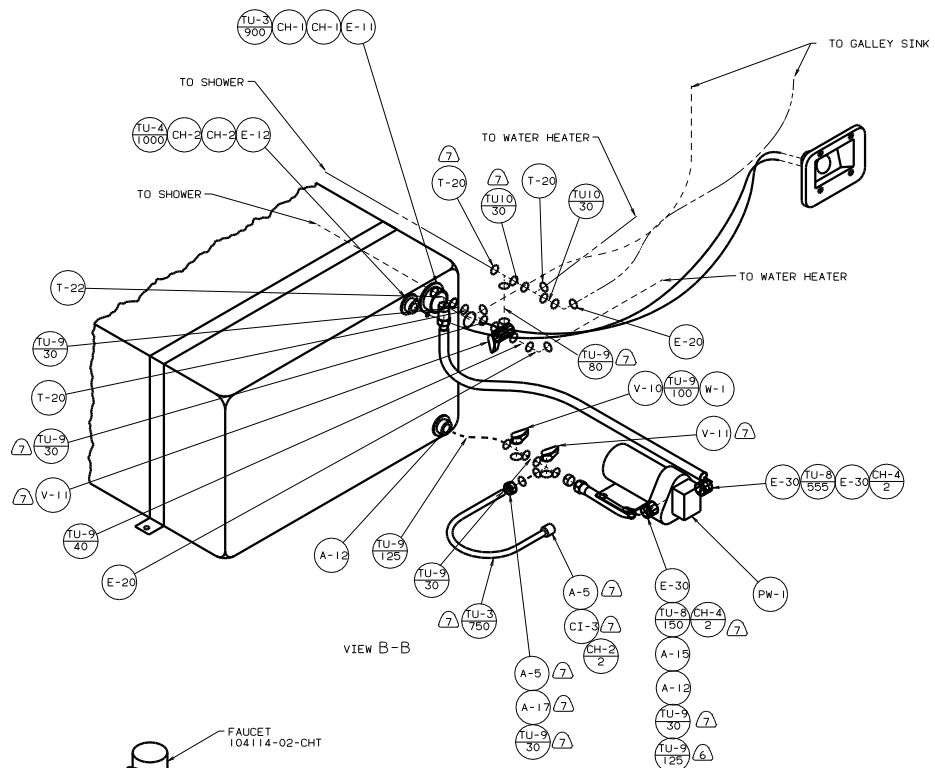
LEGEND	
HOT	-----
COLD	-----

FOR WATER CALLOUTS SEE DWG NO. 116230-01-000

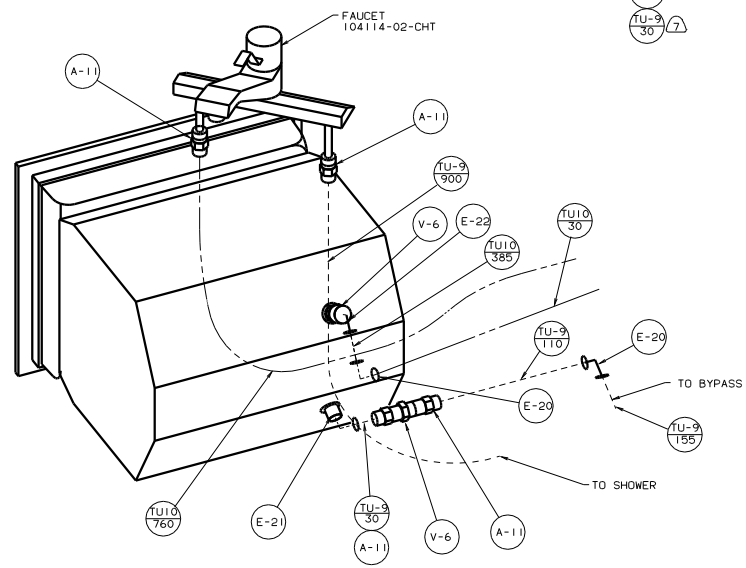
WINNEBAGO		97 F25RC
OF IN	DATE	UNSPECIFIED TOLERANCES ARE:
CHP	DATE	WHOLE DIMS .125
FIE	DATE	ONE-PLACE .015
FLE	DATE	TWO-PLACE .005
DATE	DATE	ANGLE
CODE	DATE	THIRD ANGLE PERSPECTIVE
DRAWN F25RC		TITLE WATER SYSTEM INSTL
REV # SCALE: 1		SHEET 1 OF 3
ALL DIMENSIONS ARE IN MILLIMETERS		122894



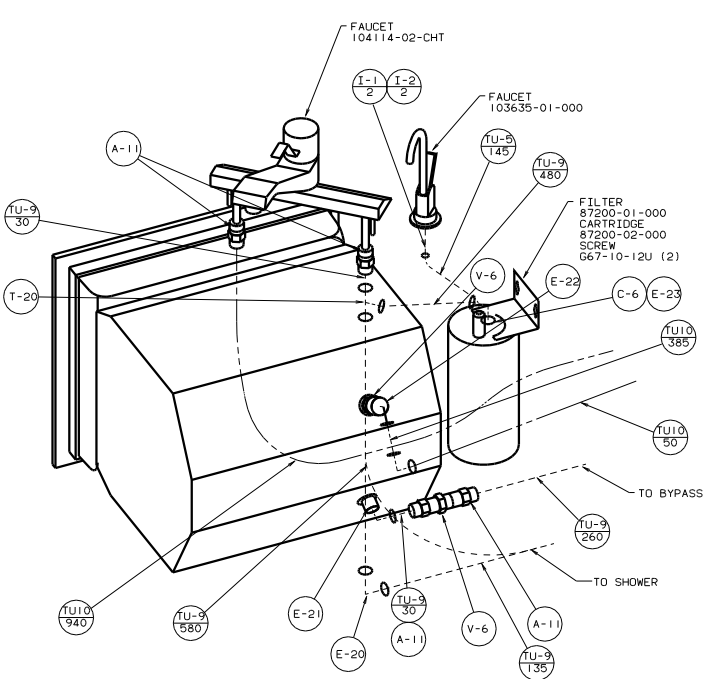
VIEW A-A



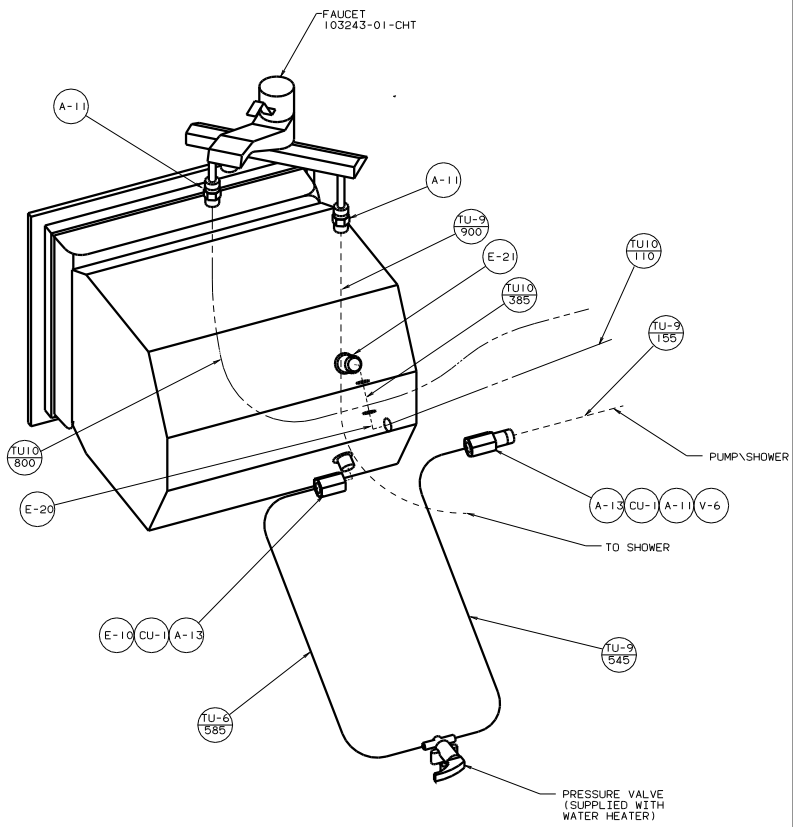
VIEW B-B



VIEW C-C (WITHOUT WATER FILTER)



VIEW C-C
(WITH WATER FILTER)



VIEW C-C 6