

SURROUND-SHOWER  
 SHOWER-ENCLOSER INSTL  
 116119-01-000  
 STRAINER  
 66729-01-000  
 SEALER  
 69640-01-000  
 NUT  
 130403-01-000  
 WASHER-RUBBER  
 127440-02-CHT  
 TAILPIECE  
 11069-06-000

SINK  
 104113-01-000  
 STRAINER  
 092303-01-000 (2)  
 SEAL  
 91255-02-000 (A/R)  
 69640-01-000  
 RETAINER  
 105497-01-000(2)  
 105497-02-000(4)  
 SCREW  
 667-10-12G(22)

SINK  
 105921-01-CHT  
 SEAL  
 91255-02-000 (A/R)

TOILET (AQUA IV)  
 63740-01-CHT  
 SCREW  
 87721-01-000(6)

TANK ASM  
 123643-04-000

PLATFORM ASM-HLDG TANK  
 118286-05-XXX

BRACKET-TANK\_HOLDING  
 126839-01-CHT

965

T-1

1 35

E-1

2 430

TANK ASM  
 125615-02-000

E-13

2 70

V-1

A-6

H-1

CLAMP  
 62401-05-000

FOR DRAINAGE  
 CALLOUTS  
 SEE DWG NO.  
 116229-01-000

- 13 TRIM TO FIT.
- 12 CSA ONLY.
- 11 US ONLY.
- 10 SECURE VENT TUBES TO FLOOR WITH BRACKET.
- 9 VENT PIPE MUST PROJECT 51 MM MIN AND 63.5 MM MAX ABOVE ROOF FOR PROPER FIT AND FUNCTION.
- 8. SEE DWG 61607-01-000 FOR INSTL OF GROMMETS.
- 7. SEAL ALL AROUND SHOWER WITH SILICONE.
- 6. FOR CANADIAN UNITS EACH HOLDING TANK SHALL HAVE A CSA APPROVAL STAMPED NEAR THE TAMPO APPROVAL.
- 5. EXPOSED PIPE ABOVE ROOF TO BE PAINTED WITH 37163-01-000.
- 4. ALL EXTERIOR OPENINGS AROUND PIPE TO BE SEALED WITH 11074-01-000.
- 3. ALL PIPE AND FITTINGS TO BE ASSEMBLED WITH SOLVENT 4020-01-000.
- 2. SLOPE OF TRAP ARM MUST BE 6 PER 305.
- 1. SLOPE OF HORIZONTAL PIPING TO BE 6 PER 305 MIN.

NOTES:

LAYOUT 431WS8		TITLE: DRAINAGE SYSTEM INSTL	
DATE	UNDESIGNED TOLERANCES ARE:	MATERIAL:	
DATE	ONE-PLACE (R.A1)	.	
DATE	TWO-PLACE (R.A2)	.	
DATE	THREE-PLACE (R.A3)	.	
DATE	FOUR-PLACE (R.A4)	.	
DATE	FIVE-PLACE (R.A5)	.	
DATE	SIX-PLACE (R.A6)	.	
DATE	SEVEN-PLACE (R.A7)	.	
DATE	EIGHT-PLACE (R.A8)	.	
DATE	NINE-PLACE (R.A9)	.	
DATE	TEN-PLACE (R.A10)	.	
DATE	ELEVEN-PLACE (R.A11)	.	
DATE	TWELVE-PLACE (R.A12)	.	
DATE	THIRTEEN-PLACE (R.A13)	.	
DATE	FOURTEEN-PLACE (R.A14)	.	
DATE	FIFTEEN-PLACE (R.A15)	.	
DATE	SIXTEEN-PLACE (R.A16)	.	
DATE	SEVENTEEN-PLACE (R.A17)	.	
DATE	EIGHTEEN-PLACE (R.A18)	.	
DATE	NINETEEN-PLACE (R.A19)	.	
DATE	TWENTY-PLACE (R.A20)	.	
DATE	ONE PLACE (R.A1)	.	
DATE	TWO PLACE (R.A2)	.	
DATE	THREE PLACE (R.A3)	.	
DATE	FOUR PLACE (R.A4)	.	
DATE	FIVE PLACE (R.A5)	.	
DATE	SIX PLACE (R.A6)	.	
DATE	SEVEN PLACE (R.A7)	.	
DATE	EIGHT PLACE (R.A8)	.	
DATE	NINE PLACE (R.A9)	.	
DATE	TEN PLACE (R.A10)	.	
DATE	ELEVEN PLACE (R.A11)	.	
DATE	TWELVE PLACE (R.A12)	.	
DATE	THIRTEEN PLACE (R.A13)	.	
DATE	FOURTEEN PLACE (R.A14)	.	
DATE	FIFTEEN PLACE (R.A15)	.	
DATE	SIXTEEN PLACE (R.A16)	.	
DATE	SEVENTEEN PLACE (R.A17)	.	
DATE	EIGHTEEN PLACE (R.A18)	.	
DATE	NINETEEN PLACE (R.A19)	.	
DATE	TWENTY PLACE (R.A20)	.	
DATE	ONE PLACE (R.A1)	.	
DATE	TWO PLACE (R.A2)	.	
DATE	THREE PLACE (R.A3)	.	
DATE	FOUR PLACE (R.A4)	.	
DATE	FIVE PLACE (R.A5)	.	
DATE	SIX PLACE (R.A6)	.	
DATE	SEVEN PLACE (R.A7)	.	
DATE	EIGHT PLACE (R.A8)	.	
DATE	NINE PLACE (R.A9)	.	
DATE	TEN PLACE (R.A10)	.	
DATE	ELEVEN PLACE (R.A11)	.	
DATE	TWELVE PLACE (R.A12)	.	
DATE	THIRTEEN PLACE (R.A13)	.	
DATE	FOURTEEN PLACE (R.A14)	.	
DATE	FIFTEEN PLACE (R.A15)	.	
DATE	SIXTEEN PLACE (R.A16)	.	
DATE	SEVENTEEN PLACE (R.A17)	.	
DATE	EIGHTEEN PLACE (R.A18)	.	
DATE	NINETEEN PLACE (R.A19)	.	
DATE	TWENTY PLACE (R.A20)	.	
DATE	ONE PLACE (R.A1)	.	
DATE	TWO PLACE (R.A2)	.	
DATE	THREE PLACE (R.A3)	.	
DATE	FOUR PLACE (R.A4)	.	
DATE	FIVE PLACE (R.A5)	.	
DATE	SIX PLACE (R.A6)	.	
DATE	SEVEN PLACE (R.A7)	.	
DATE	EIGHT PLACE (R.A8)	.	
DATE	NINE PLACE (R.A9)	.	
DATE	TEN PLACE (R.A10)	.	
DATE	ELEVEN PLACE (R.A11)	.	
DATE	TWELVE PLACE (R.A12)	.	
DATE	THIRTEEN PLACE (R.A13)	.	
DATE	FOURTEEN PLACE (R.A14)	.	
DATE	FIFTEEN PLACE (R.A15)	.	
DATE	SIXTEEN PLACE (R.A16)	.	
DATE	SEVENTEEN PLACE (R.A17)	.	
DATE	EIGHTEEN PLACE (R.A18)	.	
DATE	NINETEEN PLACE (R.A19)	.	
DATE	TWENTY PLACE (R.A20)	.	

FAUCET  
 78503-01-CHT  
 SCREW  
 G11-10-12S (4)  
 COVER  
 78500-01-CHT  
 PANEL  
 78498-01-CHT  
 SCREW  
 G11-08-12U (4)  
 (SH-1)  
 SCREW  
 G11-10-12S (4)

FAUCET  
 79527-03-CHT  
 GASKET  
 91253-01-000  
 (E-22)  
 2

FAUCET  
 104114-02-CHT  
 GASKET  
 91254-01-000

TANK ASM-WATER, 35 GAL  
 126086-02-000

BRACKET-TIEDOWN, TANK  
 123724-01-CHT  
 SCREW  
 G39-06-16T (4)

FRONT  
 OF  
 VEHICLE

BRACKET  
 112628-01-CHT  
 SCREW  
 G39-10-12D (3)

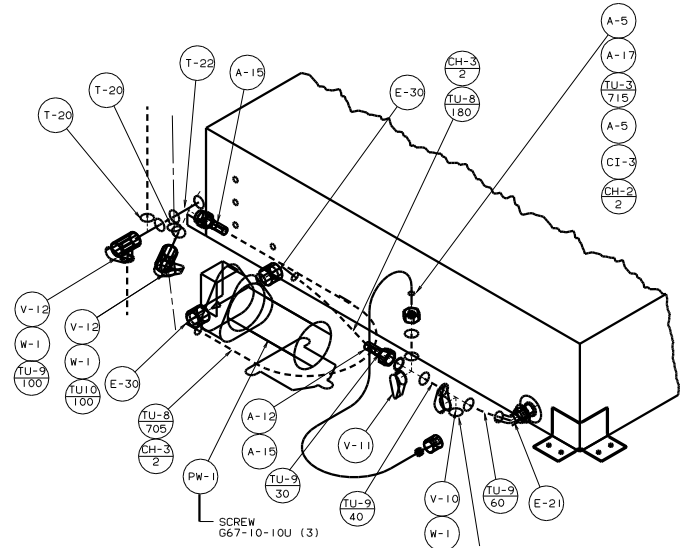
52372-D1-100

- NOTES:
1. PLASTIC FITTINGS TO BE SEALED WITH SEALANT 84456-01-000.
  2. TUBING TO BE INSTALLED WITH SUFFICIENT SLOPE TO PROVIDE DRAINAGE TO NEAREST VALVE.
  3. ALL TUBING TO BE SECURED AT 1200 INTERVALS MAX WITH CLIP 91951-01-000 AND SCREW G13-06-16U.
  4. LOCATE LUMBER TO SUPPORT WATER HEATER.
  5. CLAMP MUST BE ON BARBS.
  6. USE WITH WATER PURIFIER.
  7. USE WITH ICE MAKER.
  8. OUTLET OF VALVE TOWARD PUMP MUST BE OPEN AT ALL TIMES.

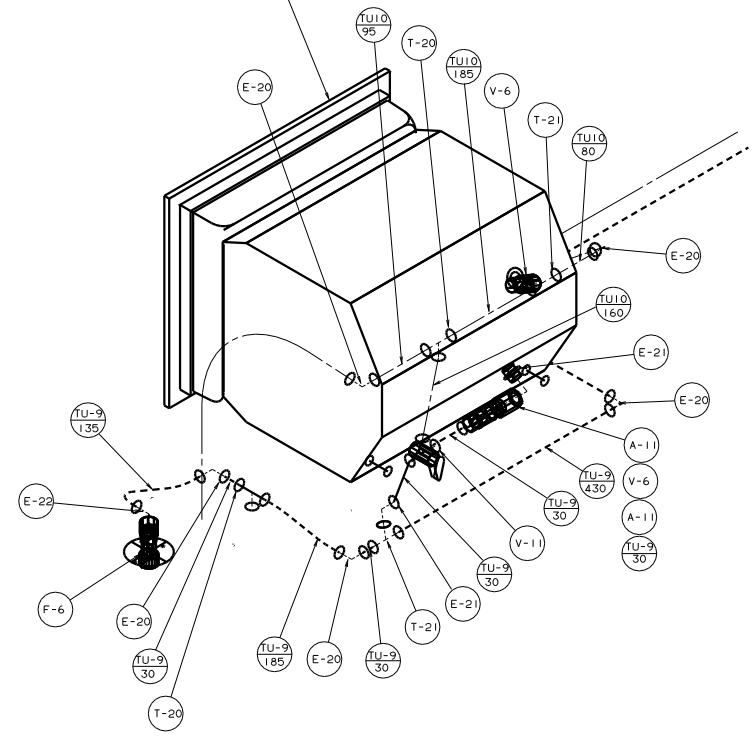
LEGEND	
HOT	-----
COLD	-----

FOR WATER CALLOUTS SEE DWG NO. 116230-01-000		WINNEBAGO 98 431WS	
DATE	DATE	UNDESIGNED TOLERANCES ARE:	MATERIAL:
DATE	DATE	1/16" (3.18) +	
DATE	DATE	1/32" (0.762) +	
DATE	DATE	1/64" (0.381) +	
DATE	DATE	THIRD ANGLE PROJECTION	
LAYER #	31 WS 8	TITLE	WATER SYSTEM INSTL
DATE	DATE	SCALE	AS SHOWN
DATE	DATE	SHEET	1 OF 2
DATE	DATE	REF	123311
DATE	DATE	NO.	126102

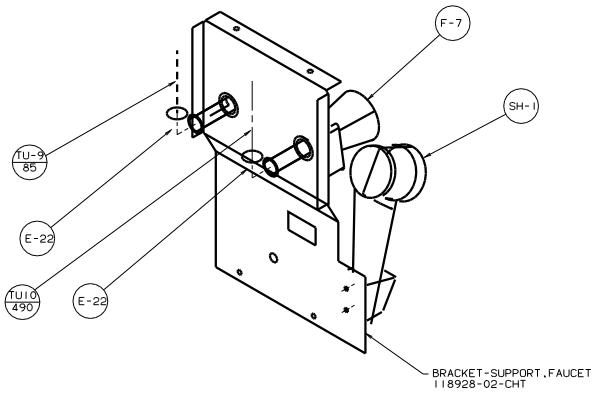
WATER HEATER  
 51391-01-000  
 (MANUAL IGNITION)  
 51391-02-000  
 (ELECTRONIC IGNITION)  
 51393-01-000  
 (MOTOR AID)  
 DOOR  
 78506-01-CHT  
 AL EXTR  
 2726-01-210  
 2726-01-212 (2)  
 SCREW  
 G39-10-169 (18)  
 SEALANT



VIEW A-A



VIEW B-B



DETAIL C

BRACKET-SUPPORT, FAUCET  
 118928-02-CHT