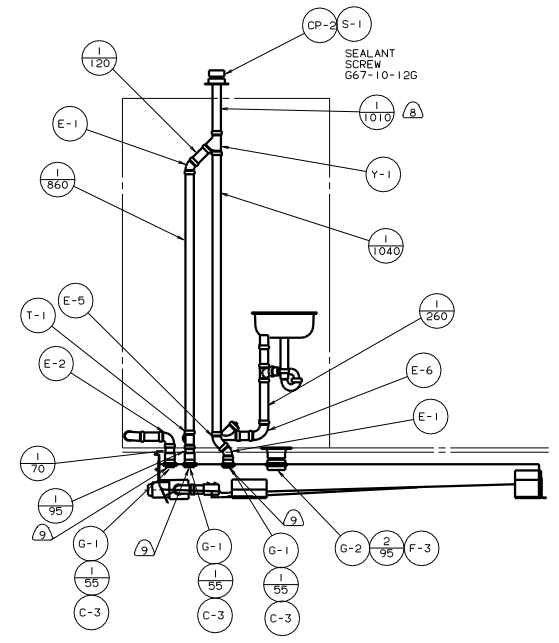
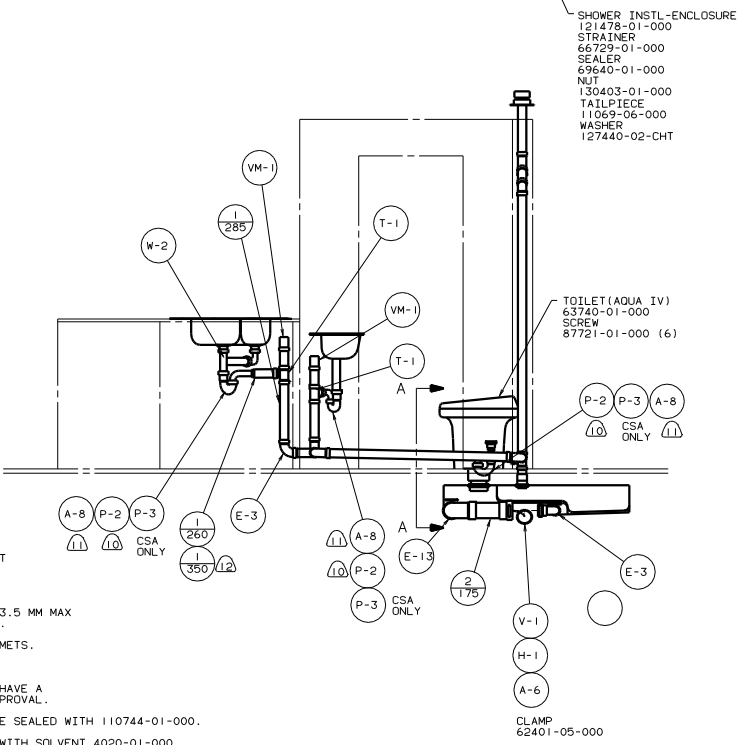


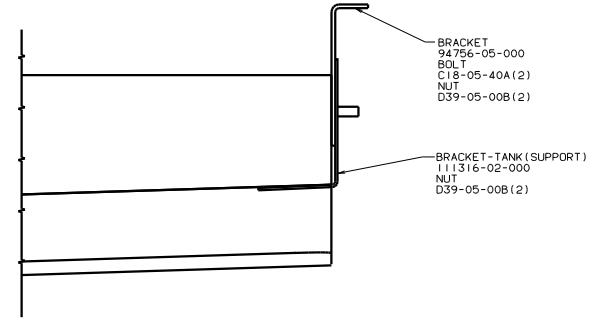
0
FRONT AXLE



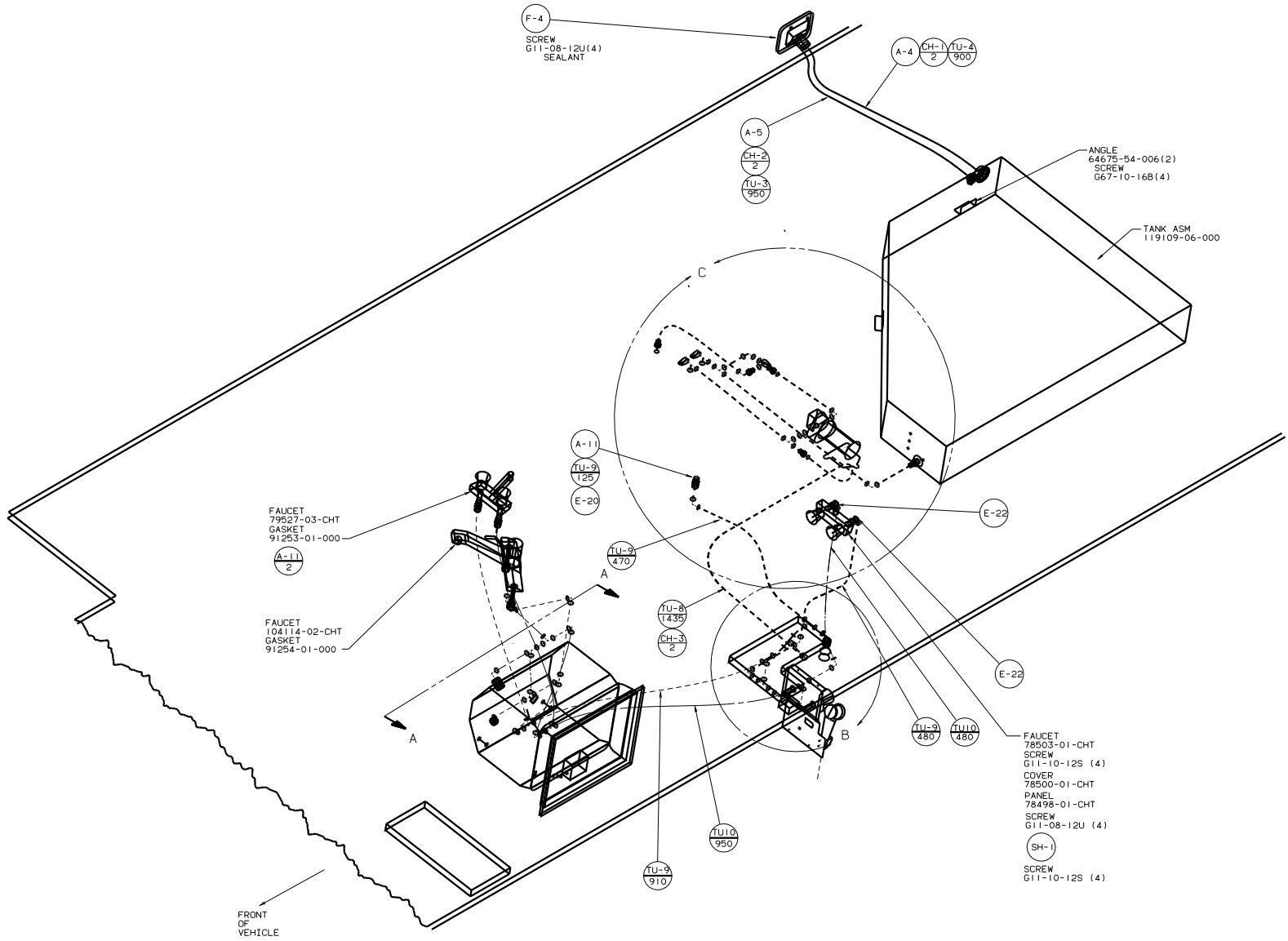
- 12 USE WITH CSA.
11 NOT USED ON CANADIAN UNITS.
10 TRIM P-TRAP TO FIT.
9 SECURE VENT TUBES TO FLOOR WITH BRACKET
95061-01-000 (2). CLAMP 62401-02-000,
SCREW G67-10-12B (2).
- 8 VENT PIPE MUST PROJECT 51 MM MIN AND 63.5 MM MAX
ABOVE ROOF FOR PROPER FIT AND FUNCTION.
- SEE DWG 61607-01-000 FOR INSTL OF GROMMETS.
 - SEAL ALL AROUND SHOWER WITH SILICONE.
 - FOR CAN UNITS EACH HOLDING TANK SHALL HAVE A
CSA APPROVAL STAMPED NEAR THE TAMPPO APPROVAL.
 - ALL EXTERIOR OPENINGS AROUND PIPE TO BE SEALED WITH 110744-01-000.
 - ALL PIPE AND FITTINGS TO BE ASSEMBLED WITH SOLVENT 4020-01-000.
 - SLOPE OF TRAP ARM MUST BE 6 PER 305 MINIMUM.
 - SLOPE OF HORIZONTAL PIPING TO BE 6 PER 305 MINIMUM.

X-X
FOR
DRAINAGE
CALLOUTS
SEE DWG NO.
116229-01-000

WINNEBAGO 96 431W0			
OF IN	DATE	UNSPECIFIED TOLERANCES ARE:	MATERIAL
CHP	DATE	WHOLE DIM (1)	
PIE	DATE	ONE-PLACE (16.41)	
D/E	DATE	TWO-PLACE (16.41)	
DATE	DATE	ANGLE	
DATE	DATE	THIRD ANGLE	
DATE	DATE	PROJECTION	
LANST 431W06	TITLE	DRAINAGE SYSTEM INSTL	
REV #	SCALE: 0:1	DO NOT SCALE DIMENSIONS	FIG NO
ALL DIMENSIONS ARE IN MILLIMETERS		SHEET 1 OF 2	121394



VIEW A-A



FAUCET
79527-03-CHT
GASKET
91253-01-000
A-11
2

FAUCET
104114-02-CHT
GASKET
91254-01-000
A-11
2

FAUCET
78503-01-CHT
SCREW
G11-10-12S (4)
COVER
78500-01-CHT
PANEL
78498-01-CHT
SCREW
G11-08-12U (4)
SH-1
SCREW
G11-10-12S (4)

FRONT
OF
VEHICLE

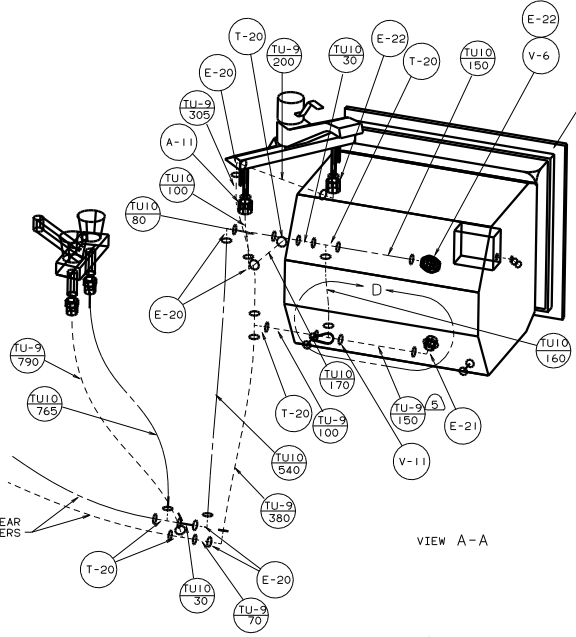
- NOTES:
- ⑤ USE WITHOUT MOTOR AID.
 - ④ USE WITH MOTOR AID.
 - 3. ALL TUBING TO BE SECURED AT 1200 INTERVALS MAX WITH CLAMP 10495-01-000 OR CLIP 91951-01-000 AND SCREW G67-10-12B.
 - 2. TUBING TO BE INSTALLED WITH SUFFICIENT SLOPE TO PROVIDE DRAINAGE TO NEAREST VALVE.
 - 1. PLASTIC FITTINGS TO BE SEALED WITH SEALANT 84456-01-000.

LEGEND	
HOT	—————
COLD	—————

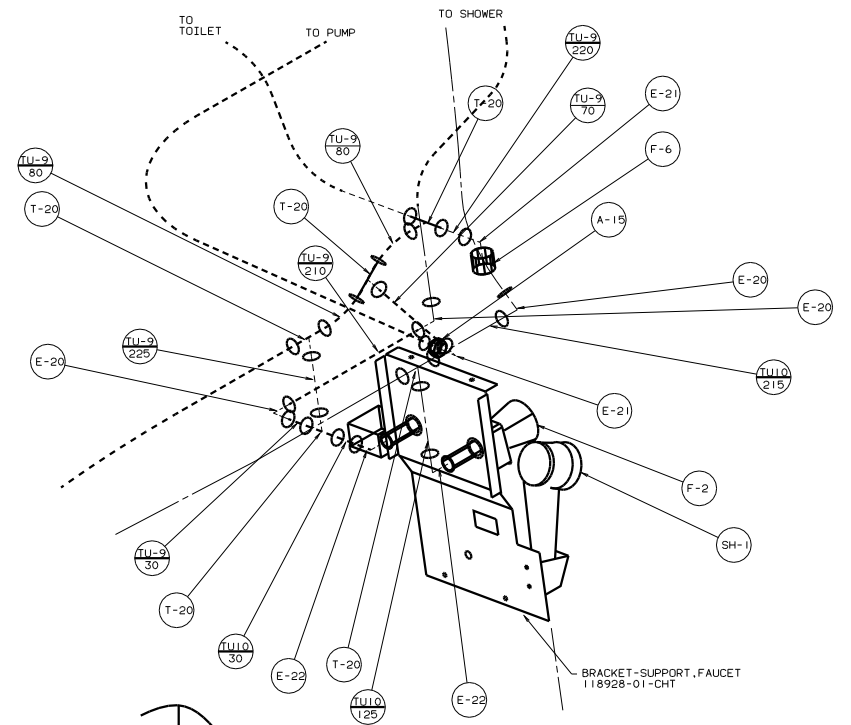
(X-X)
 FOR
 WATER
 CALLOUTS
 SEE DWG NO.
 116230-01-000

		97 431W0
OF IN	DATE	UNSPECIFIED TOLERANCES ARE:
CHP	DATE	WHOLE DIM (IN) .1
D/E	DATE	ONE-PLACE (IN) .01
D/E	DATE	TWO-PLACE (IN) .001
D/E	DATE	ANGLE
COMP	DATE	INDIC. W/OLE PROJECTION
LAYOUT NO. 431W0	TITLE: WATER SYSTEM INSTL	REF: 123311
SHEET 1 OF 2	DATE	123311

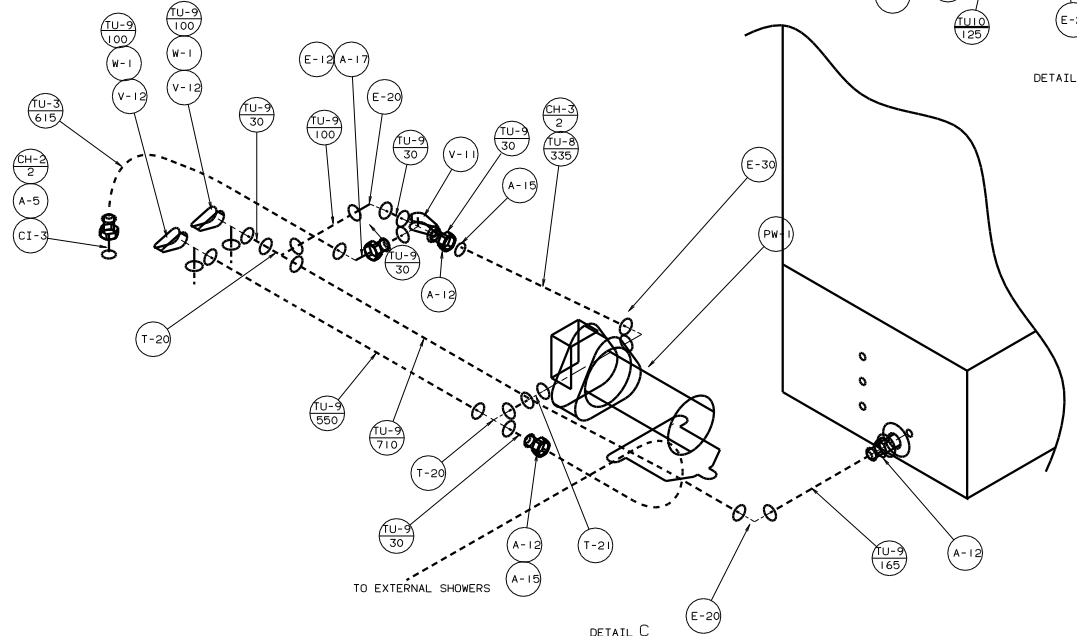
WATER HEATER (5)
 51391-02-000
 (ELECTRONIC IGNITION)
 51391-03-000
 (WITH MOTOR AID) (A)
 DOOR
 78506-01-CHT
 AL EXTR
 2726-01-210
 2726-01-212 (2)
 SCREW
 G39-10-169 (18)
 SEALANT



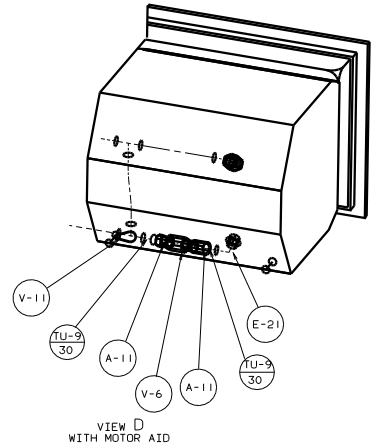
VIEW A-A



DETAIL B



DETAIL C



VIEW D WITH MOTOR AID

97 431WQ

TITLE: WATER SYSTEM INSTL			
30	NO SCALE	REV	DATE
SHEET 2	OF 2	1	1
			123311