

CADDY-SHOWER
 105707-01-CHT
 PANEL-REINF
 102028-03-000
 TAPE
 76322-01-000
 SCREW
 611-08-12B (16)
 COVER
 78500-01-CHT (16)

SHOWER PAN
 101435-01-CHT
 STRAINER
 66729-01-000
 SEALER
 69640-01-000
 NUT
 130403-01-000
 WASHER
 127440-02-CHT
 TAILPIECE
 11069-06-000

SINK
 104113-01-000
 STRAINER
 66437-02-000(2)
 SEAL
 91255-02-000(A/R)
 RETAINER
 105497-01-000(4)
 SCREW
 667-10-12G(22)

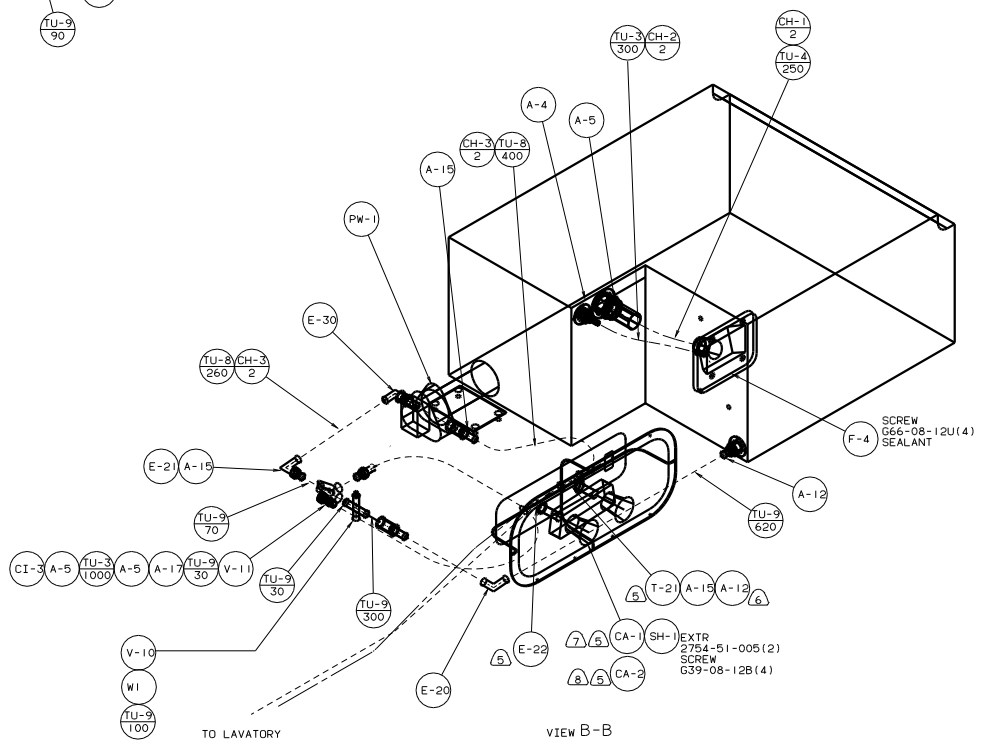
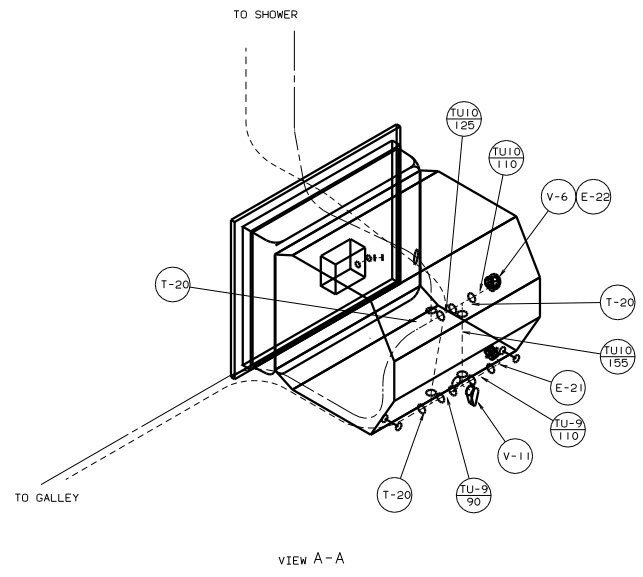
TANK-HOLDING, 42 GAL
 102762-05-000
 CRADLE ASM
 103227-02-000

TANK-HOLDING, 32 GAL
 123803-02-000
 CRADLE ASM
 103227-08-000

11. NOT USED ON CANADIAN UNITS.
10. TRIM P-TRAP TO FIT.
9. SECURE VENT TUBES TO FLOOR WITH BRACKET 95061-01-000 (2), CLAMP 62401-02-000, SCREW 667-10-12B (2).
8. VENT PIPE MUST PROJECT 51 MIN AND 63.5 MAX ABOVE ROOF FOR PROPER FIT AND FUNCTION.
7. SEE DWG 61607-01-000 FOR INSTL OF GROMMETS.
6. SEAL ALL AROUND SHOWER WITH SILICONE.
5. FOR CAN UNITS EACH HOLDING TANK SHALL HAVE A CSA APPROVAL STAMPED NEAR THE TAMPO APPROVAL.
4. ALL EXTERIOR OPENINGS AROUND PIPE TO BE SEALED WITH 110744-01-000.
3. ALL PIPE AND FITTINGS TO BE ASSEMBLED WITH SOLVENT 4020-01-000.
2. SLOPE OF TRAP ARM MUST BE 6 PER 305 MINIMUM.
1. SLOPE OF HORIZONTAL PIPING TO BE 6 PER 305 MINIMUM.

FOR DRAINAGE CALL OUTS SEE DWG NO. 116229-01-000

WINNEBAGO		97 331WU
DATE	PROPOSED TOLERANCES ARE:	MATERIAL:
DATE	WHOLE DIM (X1)	
DATE	2ND-PLACE DIM (X1)	
DATE	3RD-PLACE DIM (X1)	
DATE	4TH-PLACE DIM (X1)	
DATE	5TH-PLACE DIM (X1)	
DATE	6TH-PLACE DIM (X1)	
DATE	7TH-PLACE DIM (X1)	
DATE	8TH-PLACE DIM (X1)	
DATE	9TH-PLACE DIM (X1)	
DATE	10TH-PLACE DIM (X1)	
DATE	11TH-PLACE DIM (X1)	
DATE	12TH-PLACE DIM (X1)	
DATE	13TH-PLACE DIM (X1)	
DATE	14TH-PLACE DIM (X1)	
DATE	15TH-PLACE DIM (X1)	
DATE	16TH-PLACE DIM (X1)	
DATE	17TH-PLACE DIM (X1)	
DATE	18TH-PLACE DIM (X1)	
DATE	19TH-PLACE DIM (X1)	
DATE	20TH-PLACE DIM (X1)	
DATE	21ST-PLACE DIM (X1)	
DATE	22ND-PLACE DIM (X1)	
DATE	23RD-PLACE DIM (X1)	
DATE	24TH-PLACE DIM (X1)	
DATE	25TH-PLACE DIM (X1)	
DATE	26TH-PLACE DIM (X1)	
DATE	27TH-PLACE DIM (X1)	
DATE	28TH-PLACE DIM (X1)	
DATE	29TH-PLACE DIM (X1)	
DATE	30TH-PLACE DIM (X1)	
DATE	31ST-PLACE DIM (X1)	
DATE	32ND-PLACE DIM (X1)	
DATE	33RD-PLACE DIM (X1)	
DATE	34TH-PLACE DIM (X1)	
DATE	35TH-PLACE DIM (X1)	
DATE	36TH-PLACE DIM (X1)	
DATE	37TH-PLACE DIM (X1)	
DATE	38TH-PLACE DIM (X1)	
DATE	39TH-PLACE DIM (X1)	
DATE	40TH-PLACE DIM (X1)	
DATE	41ST-PLACE DIM (X1)	
DATE	42ND-PLACE DIM (X1)	
DATE	43RD-PLACE DIM (X1)	
DATE	44TH-PLACE DIM (X1)	
DATE	45TH-PLACE DIM (X1)	
DATE	46TH-PLACE DIM (X1)	
DATE	47TH-PLACE DIM (X1)	
DATE	48TH-PLACE DIM (X1)	
DATE	49TH-PLACE DIM (X1)	
DATE	50TH-PLACE DIM (X1)	
DATE	51ST-PLACE DIM (X1)	
DATE	52ND-PLACE DIM (X1)	
DATE	53RD-PLACE DIM (X1)	
DATE	54TH-PLACE DIM (X1)	
DATE	55TH-PLACE DIM (X1)	
DATE	56TH-PLACE DIM (X1)	
DATE	57TH-PLACE DIM (X1)	
DATE	58TH-PLACE DIM (X1)	
DATE	59TH-PLACE DIM (X1)	
DATE	60TH-PLACE DIM (X1)	
DATE	61ST-PLACE DIM (X1)	
DATE	62ND-PLACE DIM (X1)	
DATE	63RD-PLACE DIM (X1)	
DATE	64TH-PLACE DIM (X1)	
DATE	65TH-PLACE DIM (X1)	
DATE	66TH-PLACE DIM (X1)	
DATE	67TH-PLACE DIM (X1)	
DATE	68TH-PLACE DIM (X1)	
DATE	69TH-PLACE DIM (X1)	
DATE	70TH-PLACE DIM (X1)	
DATE	71ST-PLACE DIM (X1)	
DATE	72ND-PLACE DIM (X1)	
DATE	73RD-PLACE DIM (X1)	
DATE	74TH-PLACE DIM (X1)	
DATE	75TH-PLACE DIM (X1)	
DATE	76TH-PLACE DIM (X1)	
DATE	77TH-PLACE DIM (X1)	
DATE	78TH-PLACE DIM (X1)	
DATE	79TH-PLACE DIM (X1)	
DATE	80TH-PLACE DIM (X1)	
DATE	81ST-PLACE DIM (X1)	
DATE	82ND-PLACE DIM (X1)	
DATE	83RD-PLACE DIM (X1)	
DATE	84TH-PLACE DIM (X1)	
DATE	85TH-PLACE DIM (X1)	
DATE	86TH-PLACE DIM (X1)	
DATE	87TH-PLACE DIM (X1)	
DATE	88TH-PLACE DIM (X1)	
DATE	89TH-PLACE DIM (X1)	
DATE	90TH-PLACE DIM (X1)	
DATE	91ST-PLACE DIM (X1)	
DATE	92ND-PLACE DIM (X1)	
DATE	93RD-PLACE DIM (X1)	
DATE	94TH-PLACE DIM (X1)	
DATE	95TH-PLACE DIM (X1)	
DATE	96TH-PLACE DIM (X1)	
DATE	97TH-PLACE DIM (X1)	
DATE	98TH-PLACE DIM (X1)	
DATE	99TH-PLACE DIM (X1)	
DATE	100TH-PLACE DIM (X1)	



97 331WU

TITLE: WATER SYSTEM INSTL	
NO. OF SHEETS	TOTAL SHEETS
SHEET 2 OF 2	2
REV	DATE
1	124644