

- (17) CADDY-SHOWER 105707-01-CHT
- (17) PANEL-REINF 102028-03-000
- (17) TAPE 76322-01-000
- (17) SCREW G11-08-12B (16)
- (17) COVER 78500-01-CHT (16)
- (16) SHOWER PAN 127586-01-CHT
- (17) SCREW G11-08-12B (16)
- (17) COVER 78500-01-CHT (16)
- (16) SHOWER INSTL-ENCLOSURE 130153-01-000
- (16) STRAINER 66729-01-000
- (16) SEALER 69640-01-000
- (16) NUT 130403-01-000
- (16) WASHER-RUBBER 127440-02-CHT
- (16) TAILPIECE 11069-02-000

- (17) SHOWER PAN 127586-01-CHT
- (17) SCREW G11-08-12B (16)
- (17) COVER 78500-01-CHT (16)
- (16) SHOWER INSTL-ENCLOSURE 130153-01-000
- (16) STRAINER 66729-01-000
- (16) SEALER 69640-01-000
- (16) NUT 130403-01-000
- (16) WASHER-RUBBER 127440-02-CHT
- (16) TAILPIECE 11069-02-000

- TANK-HOLDING 34 GAL 127519-02-000
- CRADLE ASM 103227-09-000
- BOLT C18-05-40A (4)
- NUT D39-05-00B (4)
- WASHER E13-16-00B (4)
- CLAMP 62401-05-000(2)
- BRACKET 95061-01-000(4)
- SCREW G67-10-12B(4)

- HOLDER-RING 56134-02-000 (3)
- BOLT C12-05-16B (3)
- NUT D12-05-00B (3)
- NUT D32-05-00B(4)
- BOLT C18-05-40A(4)
- HANGER-STRAP 56133-13-000 (3)
- BOLT C18-05-40A (3)
- NUT D39-05-00B (3)

- SINK 104113-01-000
- STRAINER 66437-02-000(2)
- SEAL 91255-02-000(A/R)
- RETAINER 105497-01-000 (4)
- SCREW G67-10-12G (20)

- SINK 90990-01-CHT
- SEAL 91255-02-000(A/R)
- STRAINER ASM 106116-01-CHT

- TANK-HOLDING 34 GAL 127489-02-000
- CRADLE ASM 56076-37-000
- BOLT C18-05-96A (4)
- NUT D39-05-00B (4)
- WASHER E13-16-00B (4)

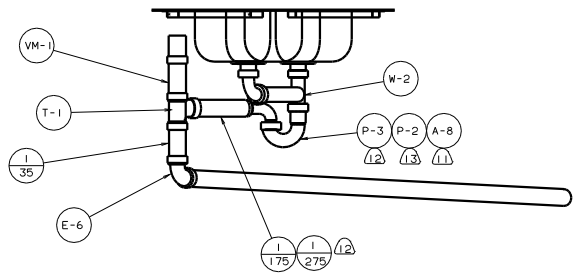
- (14) 331WT ONLY.
- (13) TRIM TO FIT.
- (12) CSA ONLY.
- (1) US ONLY.
- (10) SECURE VENT TUBES TO FLOOR WITH BRACKET.
- (9) VENT PIPE MUST PROJECT 51 MM MIN AND 64 MM MAX ABOVE ROOF FOR PROPER FIT AND FUNCTION.
- 8. SEE DWG 61607-01-000 FOR INSTL OF GROMMETS.
- 7. SEAL ALL AROUND SHOWER WITH SILICONE.
- 6. FOR CANADIAN UNITS EACH HOLDING TANK SHALL HAVE A CSA APPROVAL STAMPED NEAR THE IAMPO APPROVAL.
- 5. EXPOSED PIPE ABOVE ROOF TO BE PAINTED WITH 37163-01-000.
- 4. ALL EXTERIOR OPENINGS AROUND PIPE TO BE SEALED WITH 11074-01-000.
- 3. ALL PIPE AND FITTINGS TO BE ASSEMBLED WITH SOLVENT 4020-01-000.
- 2. SLOPE OF TRAP ARM MUST BE 6 PER 305.
- 1. SLOPE OF HORIZONTAL PIPING TO BE 6 PER 305 MIN.

- (17) NOT USED WITH 43G INTERIOR UPGRADE PACKAGE.
- (16) 43G INTERIOR UPGRADE PACKAGE.

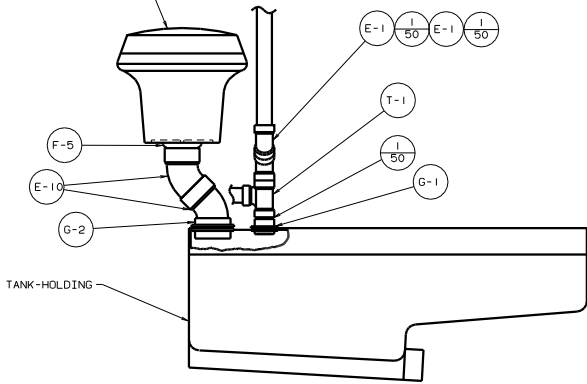
(X-X) FOR DRAINAGE CALLOUTS SEE DWG NO. 116229-01-000

WINNEBAGO 98 331WM/WT	
QTY # DATE UNDESIGNED TOLERANCES ARE: DIMO DATE ONE-PLACE (H, M, S) DTE DATE ONE-PLACE (H, M, S) W E DATE DIMO DATE THIRD ANGLE PROJECTION	MATERIAL: 1 2 3 4 5 6 7 8 9 10 11 12 13 14 15 16 17 18 19 20
LAMIN 331WM 001 # SCALE NONE ALL DIMENSIONS ARE IN MILLIMETERS SHEET 1 OF 2	TITLE: DRAINAGE SYSTEM INSTL DWG NO. 127520 127520

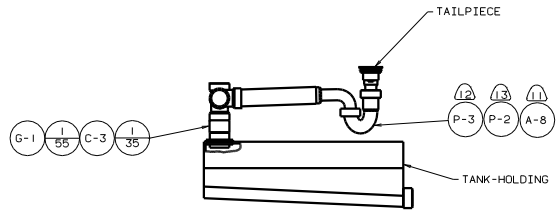
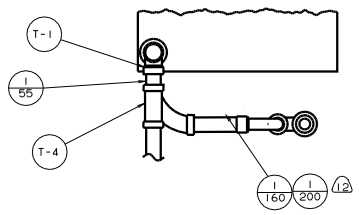
TOILET-SHORTY, AQUA IV
84738-01-CHT
SCREW
87721-01-000 (6)



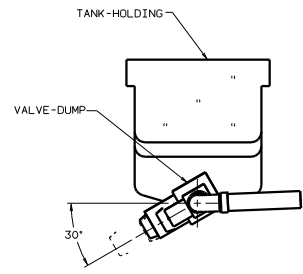
VIEW A-A



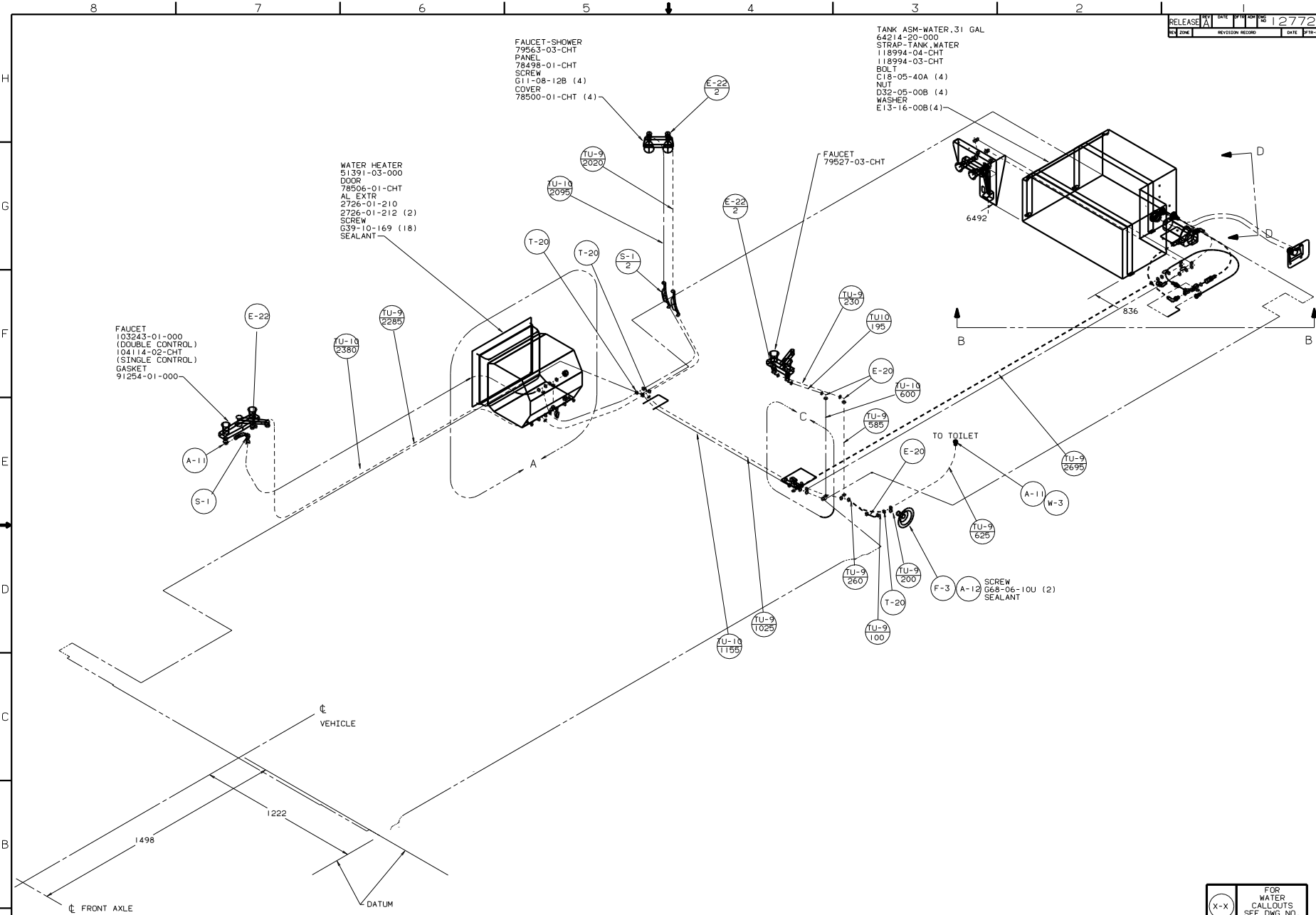
VIEW B-B



VIEW C-C



VIEW D-D



FAUCET-SHOWER
 79563-03-CHT
 PANEL
 78495-01-CHT
 SCREW
 G11-08-12B (4)
 COVER
 78500-01-CHT (4)

TANK ASM-WATER, 31 GAL
 64214-20-000
 STRAP-TANK, WATER
 118994-04-CHT
 118994-03-CHT
 BOLT
 C13-05-40A (4)
 NUT
 D32-05-00B (4)
 WASHER
 E13-16-00B(4)

WATER HEATER
 51391-03-000
 DOOR
 78906-01-CHT
 AL EXTR
 2726-01-210
 2726-01-212 (2)
 SCREW
 G39-10-169 (18)
 SEALANT

FAUCET
 103243-01-000
 (DOUBLE CONTROL)
 104114-02-CHT
 (SINGLE CONTROL)
 GASKET
 91254-01-000

FAUCET
 79527-03-CHT

TO TOILET

SCREW
 G68-06-10U (2)
 SEALANT

Ⓢ USE WITHOUT 64R EXTERIOR WASH STATION.

Ⓣ 64R EXTERIOR WASH STATION.

Ⓞ CAP SEAL. SEE SEALANT MANUAL.

3. ALL TUBING TO BE SECURED AT 1200 INTERVALS MAX WITH CLAMP 10495-01-000 OR CLIP 91951-01-000 AND SCREW G67-10-12B.

2. TUBING TO BE INSTALLED WITH SUFFICIENT SLOPE TO PROVIDE DRAINAGE TO NEAREST VALVE.

1. PLASTIC FITTINGS TO BE SEALED WITH SEALANT 84456-01-000.

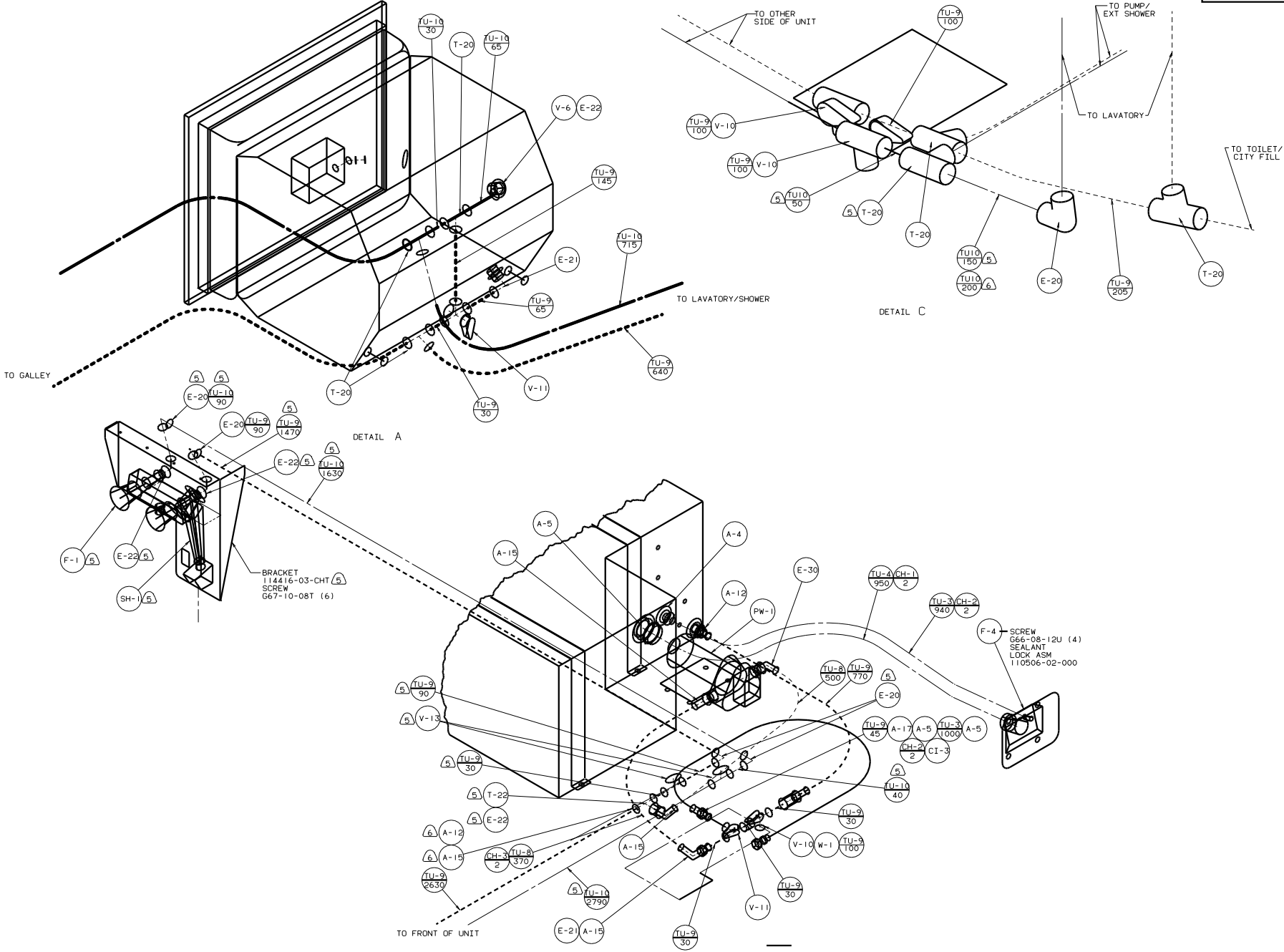
LEGEND	
HOT	●●●●
COLD	●●●●●

(X-X) FOR WATER CALLOUTS SEE DWG NO. 116230-01-000

WINNEBAGO 98 331WM

DATE	DATE	PROPOSED REVISIONS	DATE
DATE	DATE	DATE	DATE
DATE	DATE	DATE	DATE
DATE	DATE	DATE	DATE

SCALE: 3/31 WM
 TITLE: WATER SYSTEM INSTL
 SHEET 1 OF 3



TO GALLEY

TO LAVATORY/SHOWER

TO OTHER SIDE OF UNIT

TO PUMP/EXT SHOWER

TO LAVATORY

TO TOILET/CITY FILL

DETAIL A

DETAIL C

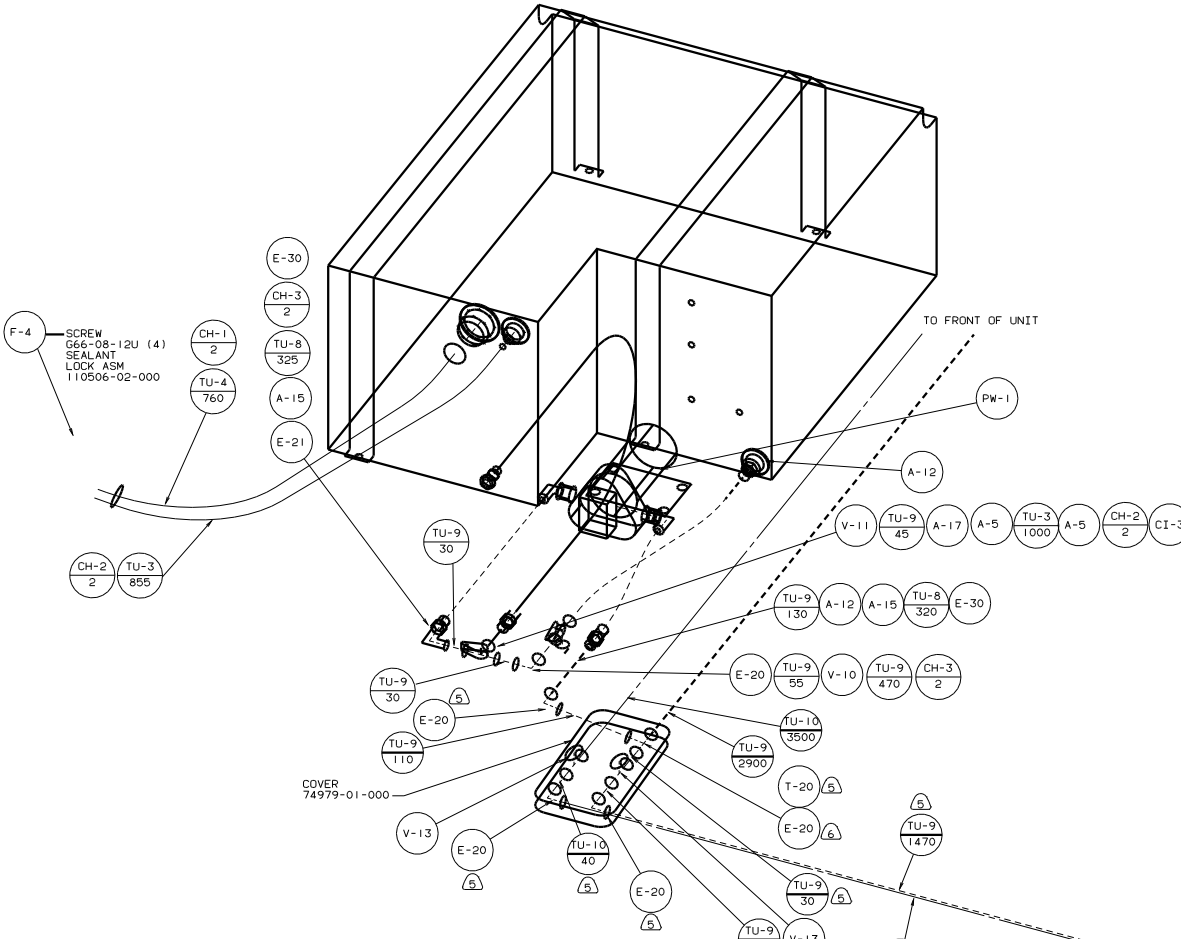
BRACKET
114416-03-CHT (5)
SCREW
G67-10-08T (6)

F-4 SCREW
G66-08-12U (4)
SEALANT
LOCK ASM
110506-02-000

VIEW B-B
49X BED-QUEEN, CENTERED

98 331WM

TITLE		WATER SYSTEM INSTL	
NO. OF SHEETS	3	NO. OF SHEETS	3
SHEET	2 OF 3	SHEET	2 OF 3
DATE		DATE	
REV		REV	
127727		127727	



VIEW D-D
 44X BED-QUEEN, SIDEWALL
 45G BED-TWINS

