

- ①7 CADDY-SHOWER 105707-01-CHT
- ①8 PANEL-REINF 102028-03-000
- ①9 TAPE 76322-01-000
- ①7 SCREW G11-08-12B (16)
- ①7 COVER 78500-01-CHT (16)
- ①7 78500-01-CHT (16)

- ①7 SHOWER PAN 127586-01-CHT
- ①7 SCREW G11-08-12B (16)
- ①7 COVER 78500-01-CHT (16)
- ①6 SHOWER INSTL-ENCLOSURE 130153-01-000
- ①7 STRAINER 66729-01-000
- ①7 SEALER 69640-01-000
- ①7 NUT 130403-01-000
- ①7 WASHER-RUBBER 127440-02-CHT
- ①7 TAILPIECE 11069-02-000

- TANK-HOLDING 34 GAL 127519-02-000
- ① CRADLE ASM 103227-09-000
- ① BOLT C18-05-40A (4)
- ① NUT D39-05-00B (4)
- ① WASHER E13-16-00B (4)
- ① CLAMP 62401-05-000(2)
- ① BRACKET 95061-01-000(4)
- ① SCREW G67-10-12B(4)

- HOLDER-RING 56134-02-000 (3)
- ① BOLT C12-05-16B (3)
- ① NUT D12-05-00B (3)
- ① NUT D32-05-00B(4)
- ① BOLT C18-05-40A(4)
- HANGER-STRAP 56133-13-000 (3)
- ① BOLT C18-05-40A (3)
- ① NUT D39-05-00B (3)

- SINK 104113-01-000
- ① STRAINER 66437-02-000(2)
- ① SEAL 91255-02-000(A/R)
- ① RETAINER 105497-01-000 (4)
- ① SCREW G67-10-12G (20)

- SINK 90990-01-CHT
- ① SEAL 91255-02-000(A/R)
- ① STRAINER ASM 106116-01-CHT

- TANK-HOLDING 34 GAL 127489-02-000
- ① CRADLE ASM 56076-37-000
- ① BOLT C18-05-96A (4)
- ① NUT D39-05-00B (4)
- ① WASHER E13-16-00B (4)

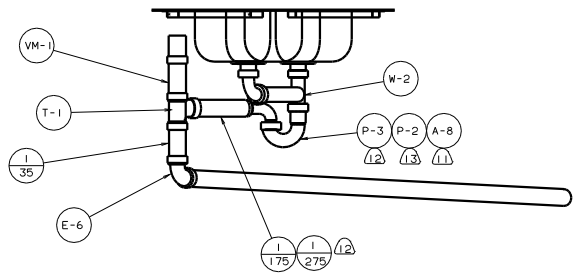
- ①4 331WT ONLY.
- ①3 TRIM TO FIT.
- ①2 CSA ONLY.
- ①1 US ONLY.
- ①0 SECURE VENT TUBES TO FLOOR WITH BRACKET.
- ② VENT PIPE MUST PROJECT 51 MM MIN AND 64 MM MAX ABOVE ROOF FOR PROPER FIT AND FUNCTION.
- 8. SEE DWG 61607-01-000 FOR INSTL OF GROMMETS.
- 7. SEAL ALL AROUND SHOWER WITH SILICONE.
- 6. FOR CANADIAN UNITS EACH HOLDING TANK SHALL HAVE A CSA APPROVAL STAMPED NEAR THE IAMPO APPROVAL.
- 5. EXPOSED PIPE ABOVE ROOF TO BE PAINTED WITH 37163-01-000.
- 4. ALL EXTERIOR OPENINGS AROUND PIPE TO BE SEALED WITH 11074-01-000.
- 3. ALL PIPE AND FITTINGS TO BE ASSEMBLED WITH SOLVENT 4020-01-000.
- 2. SLOPE OF TRAP ARM MUST BE 6 PER 305.
- 1. SLOPE OF HORIZONTAL PIPING TO BE 6 PER 305 MIN.

- ①7 NOT USED WITH 43G INTERIOR UPGRADE PACKAGE.
- ①6 43G INTERIOR UPGRADE PACKAGE.

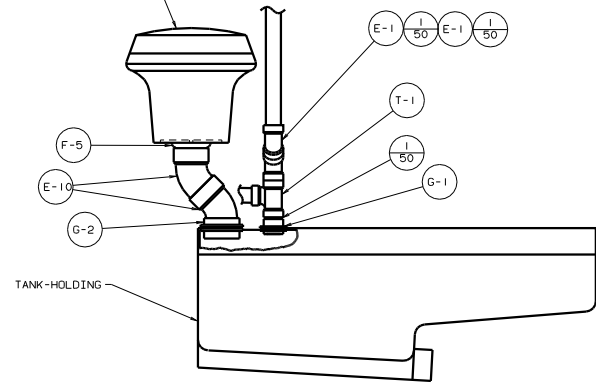
FOR DRAINAGE CALLOUTS SEE DWG NO. 116229-01-000

LAMP# 331WM		TITLE: DRAINAGE SYSTEM INSTL	
REV	DATE	BY	CHK
001	07/10/05	11	11
002	07/10/05	11	11
003	07/10/05	11	11
004	07/10/05	11	11
005	07/10/05	11	11
006	07/10/05	11	11
007	07/10/05	11	11
008	07/10/05	11	11
009	07/10/05	11	11
010	07/10/05	11	11
011	07/10/05	11	11
012	07/10/05	11	11
013	07/10/05	11	11
014	07/10/05	11	11
015	07/10/05	11	11
016	07/10/05	11	11
017	07/10/05	11	11
018	07/10/05	11	11
019	07/10/05	11	11
020	07/10/05	11	11
021	07/10/05	11	11
022	07/10/05	11	11
023	07/10/05	11	11
024	07/10/05	11	11
025	07/10/05	11	11
026	07/10/05	11	11
027	07/10/05	11	11
028	07/10/05	11	11
029	07/10/05	11	11
030	07/10/05	11	11
031	07/10/05	11	11
032	07/10/05	11	11
033	07/10/05	11	11
034	07/10/05	11	11
035	07/10/05	11	11
036	07/10/05	11	11
037	07/10/05	11	11
038	07/10/05	11	11
039	07/10/05	11	11
040	07/10/05	11	11
041	07/10/05	11	11
042	07/10/05	11	11
043	07/10/05	11	11
044	07/10/05	11	11
045	07/10/05	11	11
046	07/10/05	11	11
047	07/10/05	11	11
048	07/10/05	11	11
049	07/10/05	11	11
050	07/10/05	11	11
051	07/10/05	11	11
052	07/10/05	11	11
053	07/10/05	11	11
054	07/10/05	11	11
055	07/10/05	11	11
056	07/10/05	11	11
057	07/10/05	11	11
058	07/10/05	11	11
059	07/10/05	11	11
060	07/10/05	11	11
061	07/10/05	11	11
062	07/10/05	11	11
063	07/10/05	11	11
064	07/10/05	11	11
065	07/10/05	11	11
066	07/10/05	11	11
067	07/10/05	11	11
068	07/10/05	11	11
069	07/10/05	11	11
070	07/10/05	11	11
071	07/10/05	11	11
072	07/10/05	11	11
073	07/10/05	11	11
074	07/10/05	11	11
075	07/10/05	11	11
076	07/10/05	11	11
077	07/10/05	11	11
078	07/10/05	11	11
079	07/10/05	11	11
080	07/10/05	11	11
081	07/10/05	11	11
082	07/10/05	11	11
083	07/10/05	11	11
084	07/10/05	11	11
085	07/10/05	11	11
086	07/10/05	11	11
087	07/10/05	11	11
088	07/10/05	11	11
089	07/10/05	11	11
090	07/10/05	11	11
091	07/10/05	11	11
092	07/10/05	11	11
093	07/10/05	11	11
094	07/10/05	11	11
095	07/10/05	11	11
096	07/10/05	11	11
097	07/10/05	11	11
098	07/10/05	11	11
099	07/10/05	11	11
100	07/10/05	11	11

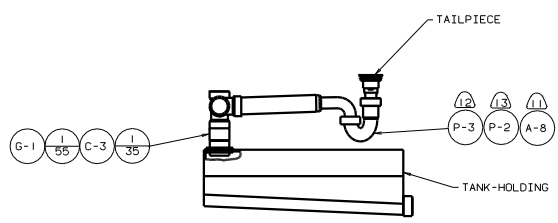
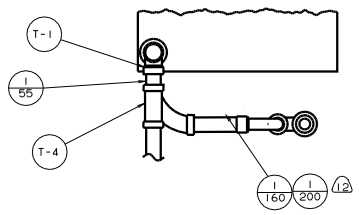
TOILET-SHORTY, AQUA IV  
84738-01-CHT  
SCREW  
87721-01-000 (6)



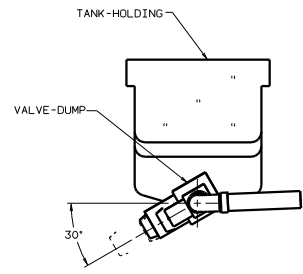
VIEW A-A



VIEW B-B



VIEW C-C



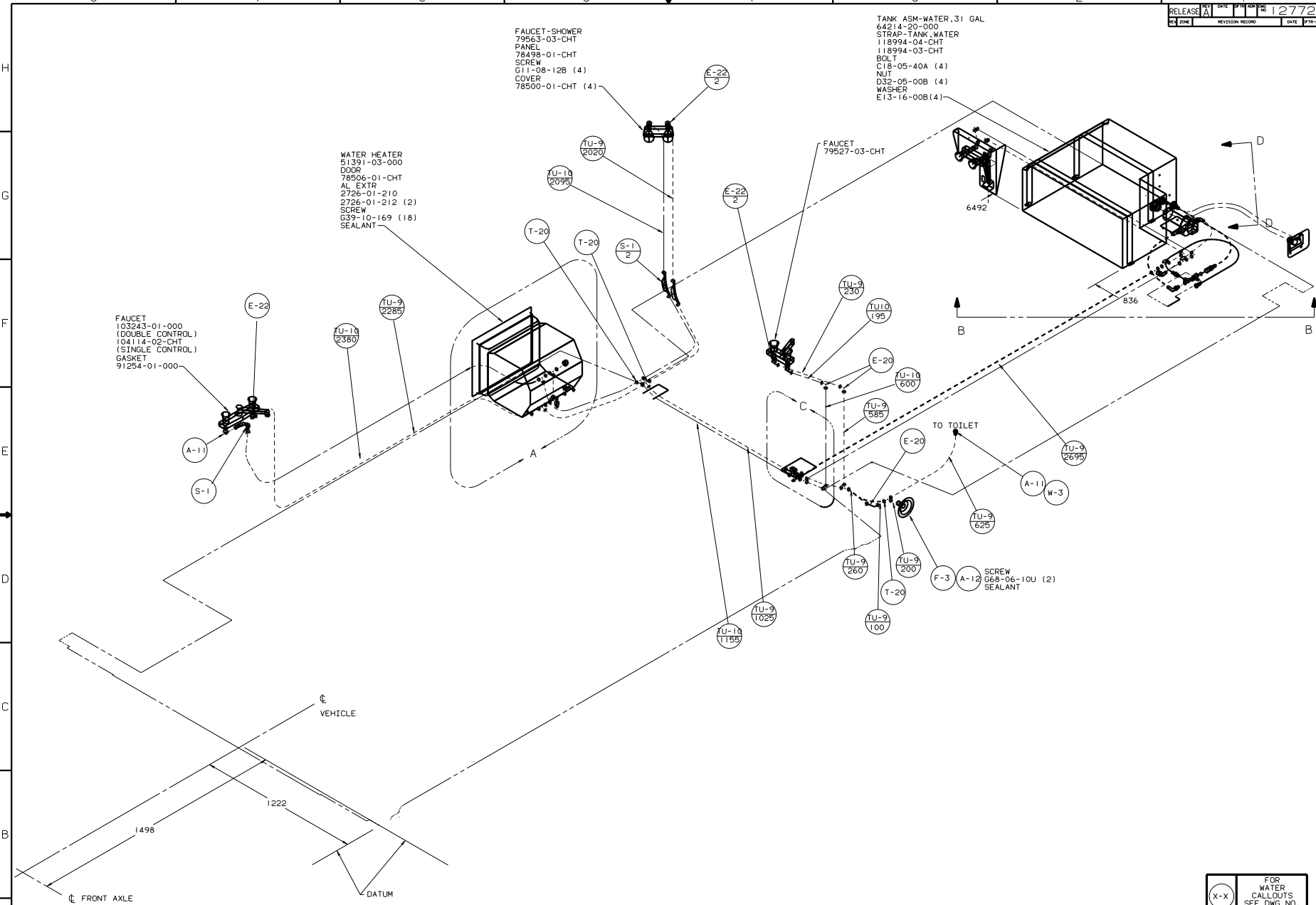
VIEW D-D

FAUCET-SHOWER  
79563-03-CHT  
PANEL  
78495-01-CHT  
SCREW  
G11-08-12B (4)  
COVER  
78500-01-CHT (4)

TANK ASM-WATER, 31 GAL  
64214-20-000  
STRAP-TANK, WATER  
118994-04-CHT  
118994-03-CHT  
BOLT  
C13-05-40A (4)  
NUT  
D32-05-00B (4)  
WASHER  
E13-16-00B(4)

WATER HEATER  
51391-03-000  
DOOR  
78906-01-CHT  
AL EXTR  
2726-01-210  
2726-01-212 (2)  
SCREW  
G39-10-169 (18)  
SEALANT

FAUCET  
103243-01-000  
(DOUBLE CONTROL)  
104114-02-CHT  
(SINGLE CONTROL)  
GASKET  
91254-01-000

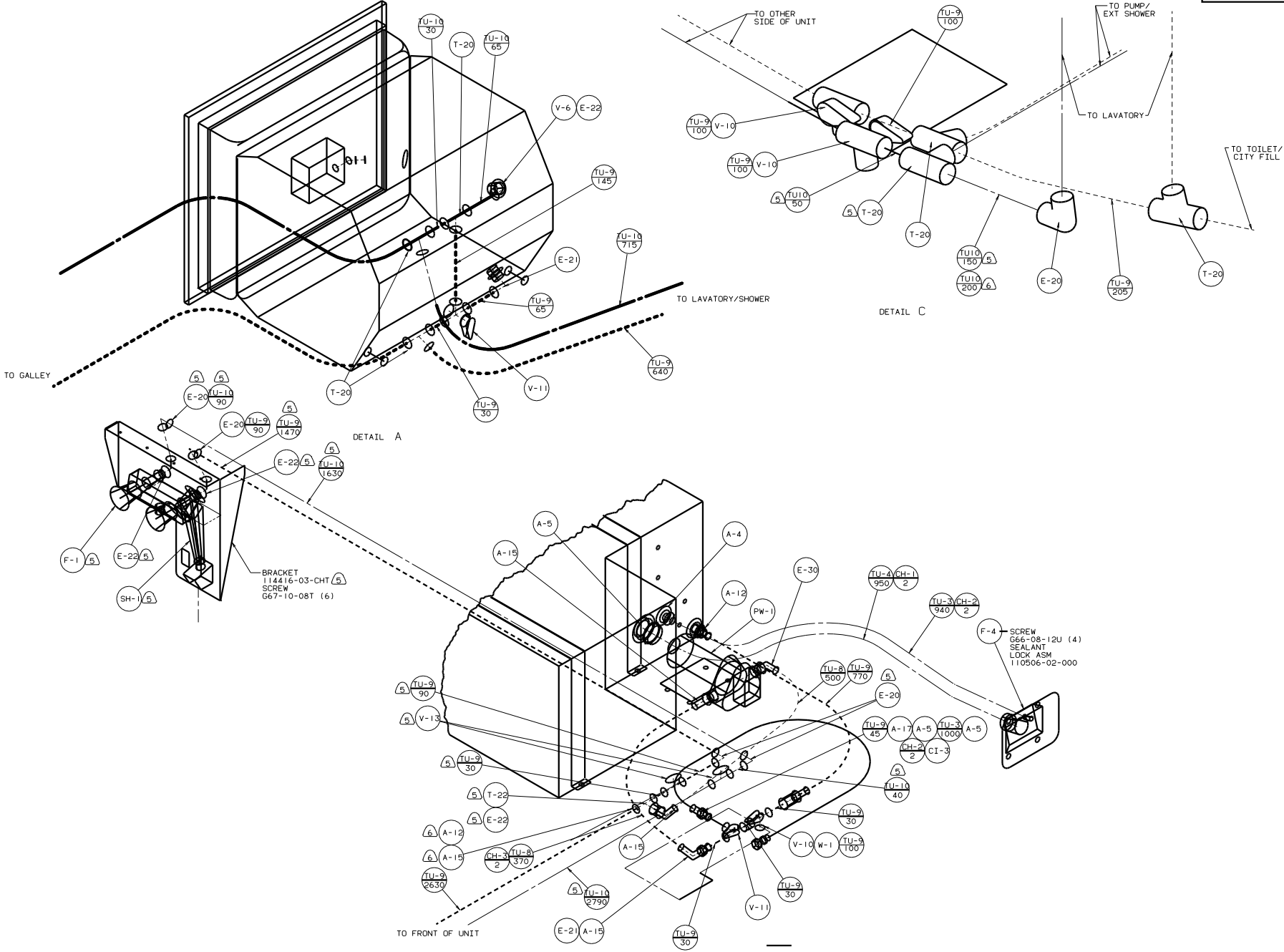


- Ⓐ USE WITHOUT 64R EXTERIOR WASH STATION.
  - Ⓑ 64R EXTERIOR WASH STATION.
  - Ⓒ CAP SEAL. SEE SEALANT MANUAL.
3. ALL TUBING TO BE SECURED AT 1200 INTERVALS MAX WITH CLAMP 10495-01-000 OR CLIP 91951-01-000 AND SCREW G67-10-12B.
2. TUBING TO BE INSTALLED WITH SUFFICIENT SLOPE TO PROVIDE DRAINAGE TO NEAREST VALVE.
1. PLASTIC FITTINGS TO BE SEALED WITH SEALANT 84456-01-000.

(X-X) FOR WATER CALLOUTS SEE DWG NO. 116230-01-000

LEGEND	
HOT	●●●●
COLD	●●●●

WINNEBAGO		98 331WM
REV	DATE	PROPOSED REVISIONS AND MATERIALS
CHD	DATE	SOLE DIM (H) 7
P.F.C.	DATE	NO-PLATE (H,SH) +
M.E.B.	DATE	NO-PLATE (H,SH) +
DATE	DATE	THIRD ANGLE PROJECTION
LAYOUT 331WM		TITLE:
SCALE: NONE		WATER SYSTEM INSTL
ALL DIMENSIONS ARE IN MILLIMETERS		SHEET 1 OF 3



TO GALLEY

TO LAVATORY/SHOWER

TO OTHER SIDE OF UNIT

TO PUMP/EXT SHOWER

TO LAVATORY

TO TOILET/CITY FILL

DETAIL A

DETAIL C

BRACKET  
114416-03-CHT (5)  
SCREW  
G67-10-08T (6)

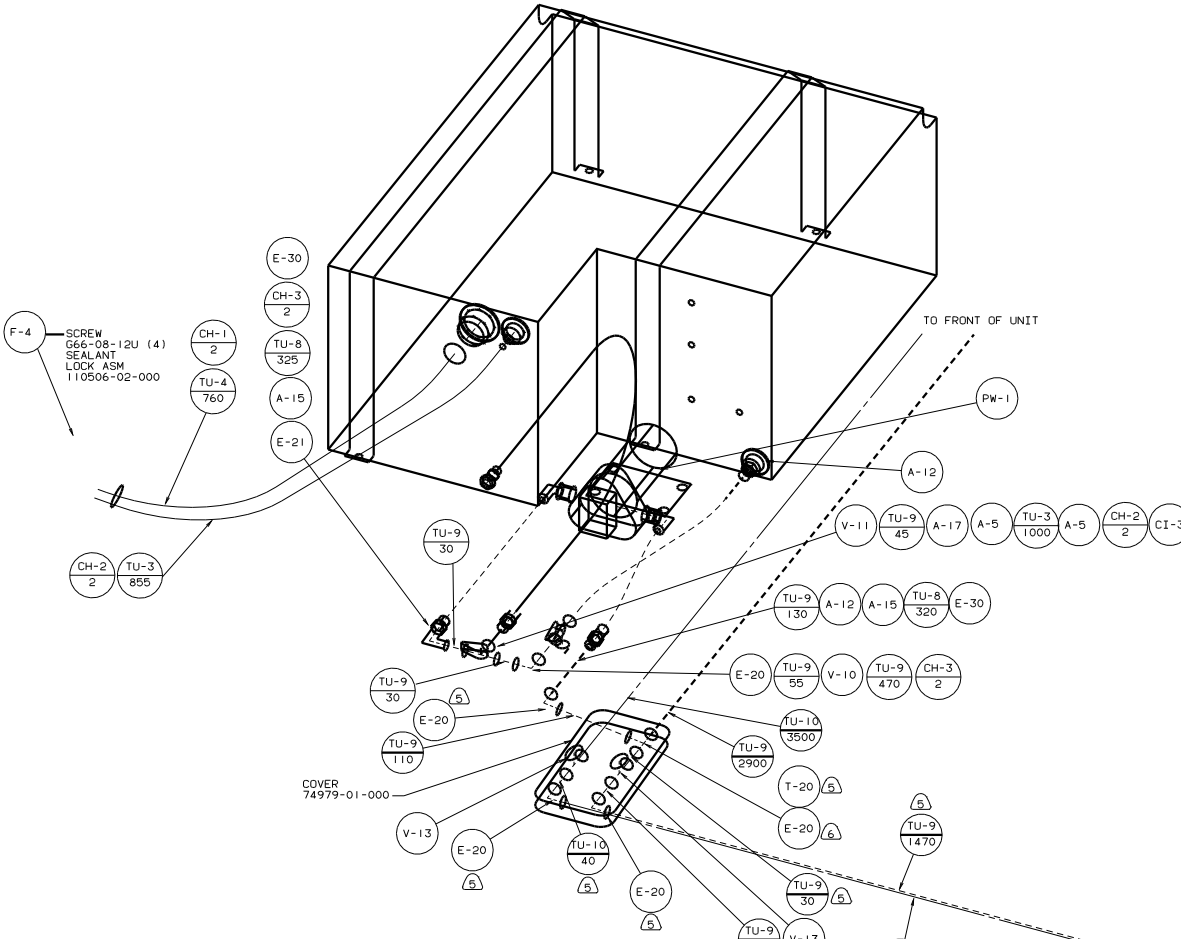
SCREW  
G66-08-12U (4)  
SEALANT  
LOCK ASM  
110506-02-000

VIEW B-B

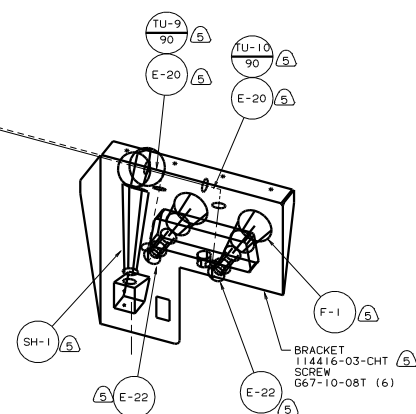
49X BED-QUEEN, CENTERED

98 331WM

TITLE		WATER SYSTEM INSTL	
NO. OF SHEETS	3	NO. OF SHEETS	3
SHEET	2	SHEET	2
REV		REV	
127727		127727	



VIEW D-D  
 44X BED-QUEEN, SIDEWALL  
 45G BED-TWINS



98 331WM

TITLE: WATER SYSTEM INSTL	
30 1/2" SCALE DRAWING	REV 1
SHEET 3 OF 3	DATE 127727