

- (11) CLEAN AND APPLY ADHESIVE PROMOTER 87211-01-000 TO BOTH SURFACES AND BOND WITH TAPE.
- (10) SECURE VENT TUBES TO FLOOR.
- (9) VENT PIPE MUST PROJECT 51 MM MIN AND 63.5 MM MAX ABOVE ROOF FOR PROPER FIT AND FUNCTION.
- (8) SEE DWG 61607-01-000 FOR INSTL OF GROMMET.
- (7) SEAL ALL AROUND SHOWER WITH SILICONE 78474-01-CHT.
- 6. FOR CAN UNITS EACH HOLDING TANK SHALL HAVE A CSA APPROVAL STAMPED NEAR THE IAMPO APPROVAL.
- 5. EXPOSED PIPE ABOVE ROOF TO BE PAINTED 37163-01-000.
- 4. ALL EXTERIOR OPENINGS AROUND PIPE TO BE SEALED.
- 3. ALL PIPE AND FITTINGS TO BE ASSEMBLED WITH SOLVENT 4020-01-000.
- 2. SLOPE OF TRAP ARM MUST BE 6 PER 305.
- 1. SLOPE OF HORIZONTAL PIPING TO BE 6 PER 305 MIN.

- (15) NOT USED WITH CANADIAN.
- (14) TRIM P-TRAP EXTENSION TO FIT.
- (13) USE WITHOUT SURROUND.
- (12) USE WITH SURROUND.

(X-X) FOR DRAINAGE CALLOUTS SEE DWG NO. 116229-01-000

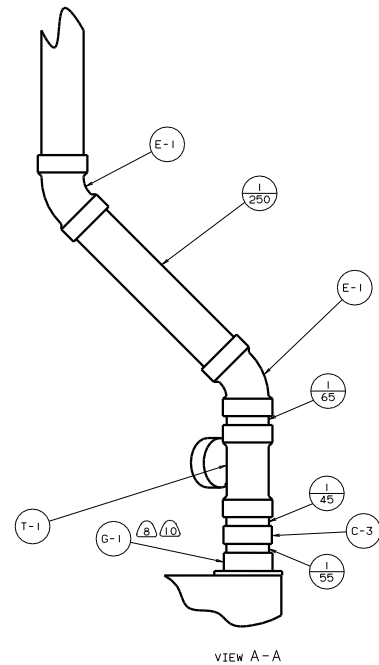
WINNEAGO 98 329W0

OF IT	DATE	UNDESIGNED TOLERANCES ARE:	MATERIAL
DRP	DATE	WHOLE DIM (X) = 1:15	
PIE	DATE	ONE-PLACE (X, X, X) =	
PIE	DATE	TWO-PLACE (X, X, X) =	
PIE	DATE	THREE-PLACE (X, X, X) =	
COMP	DATE	INDICATE W/ANGLE PROJECTION	

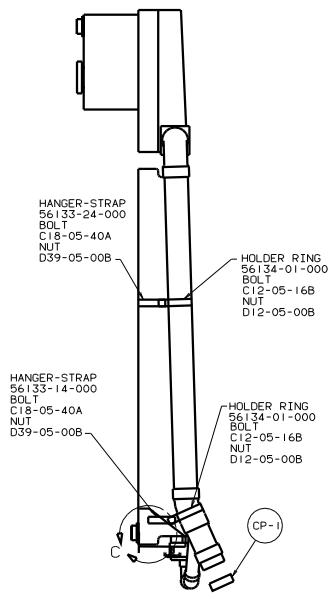
DRAINAGE SYSTEM INSTL

SHEET 1 OF 2

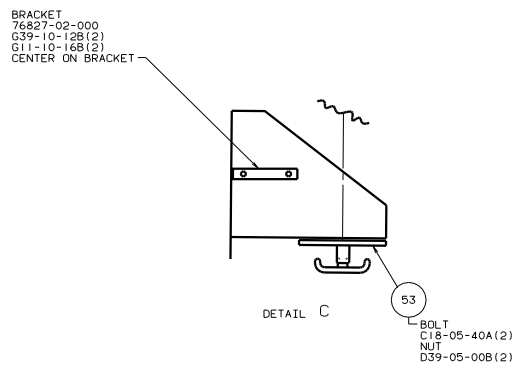
REF: 121610 C 1



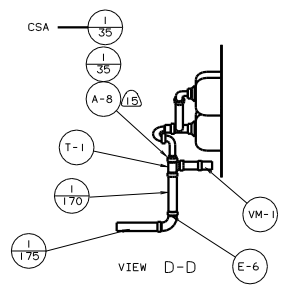
VIEW A-A



VIEW B-B



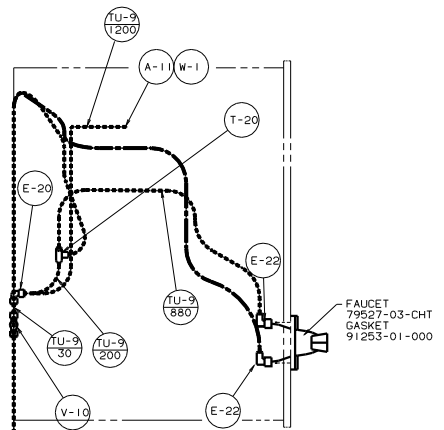
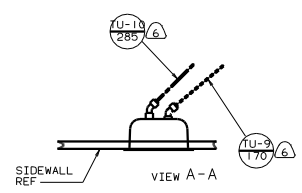
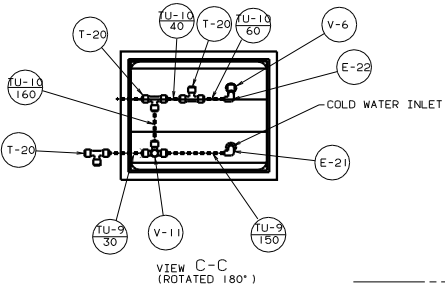
DETAIL C



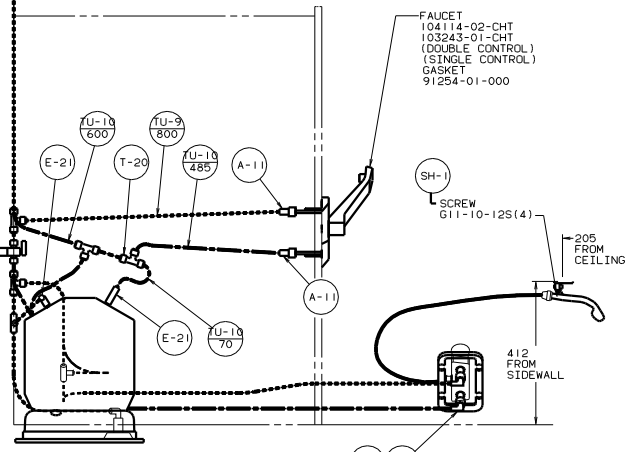
VIEW D-D

98 329W0

TITLE: DRAINAGE SYSTEM INSTL	
DATE: 11/11/05	REV: 1
SHEET: 2 of 2	DWG NO: 123644



FAUCET
79527-03-CHT
GASKET
91253-01-000

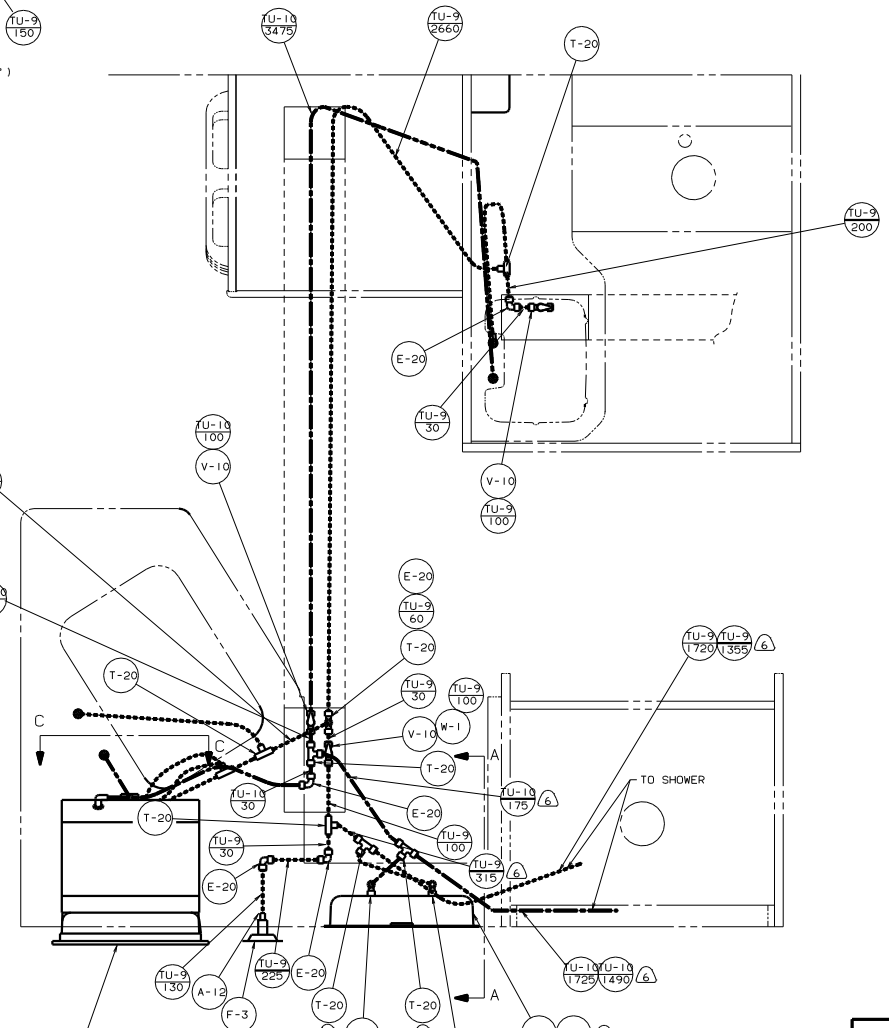


FAUCET
104114-02-CHT
103243-01-CHT
(DOUBLE CONTROL)
(SINGLE CONTROL)
GASKET
91254-01-000

PANEL
78498-01-CHT
SCREW
G11-08-12U(4)
COVER
78500-01-CHT



FRONT
AXLE



WATER HEATER
51391-03-000
DOOR
78506-01-CHT
AL EXTR
2726-01-210
2726-01-212(2)
SCREW
G39-10-169(18)
SEALANT

HOT	-----
COLD

X-X FOR WATER CALLOUTS SEE DWG NO. 116230-01-000

- ⑦ USE WITHOUT 64R EXTERIOR WASH STATION.
 - ⑥ 64R EXTERIOR WASH STATION.
 - ⑤ USE STAPLE 8402-01-000 TO ATTACH TO SIDEWALL.
 - ④ CAPSEAL SEE SEALANT MANUAL.
3. ALL TUBING TO BE SECURED AT 1200 INTERVALS MAX WITH CLAMP 10495-01-000 OR CLIP 91951-01-000 AND SCREW G67-10-12B.
2. TUBING TO BE INSTALLED WITH SUFFICIENT SLOPE TO PROVIDE DRAINAGE TO NEAREST VALVE.
1. PLASTIC FITTINGS TO BE SEALED WITH SEALANT 84456-01-000.

WINNEBAGO		98 3290D
DRW NO	DATE	UNDESIGNED TOLERANCES ARE .001
CHK'D	DATE	WHOLE DIM (IN) .1
BY	DATE	ONE-PLACE (IN) .01
D/E	DATE	TWO-PLACE (IN) .001
DATE	DATE	THREE-PLACE (IN) .0005
DATE	DATE	FRACTIONAL EQUIVALENTS
DATE	DATE	INSIDE WALL PROJECTION
DRAWING NO. 3290D		TITLE WATER SYSTEM INSTL
SHEET 1 OF 2		REF: 124369 B

