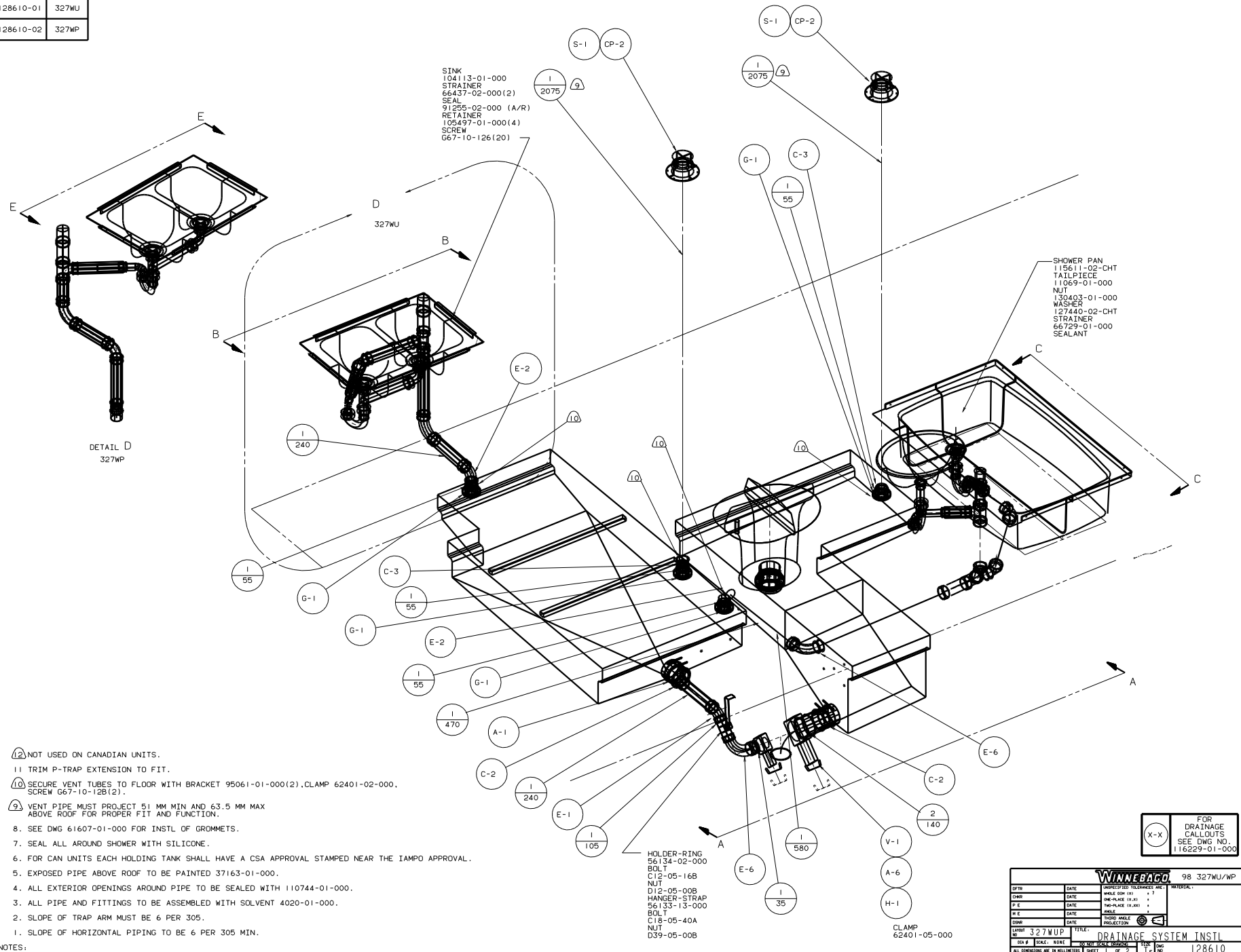


DWG NO	MODEL
128610-01	327WU
128610-02	327WP



SINK
 104113-01-000
 STRAINER
 66437-02-000(2)
 SEAL
 91255-02-000 (A/R)
 RETAINER
 105497-01-000(4)
 SCREW
 G67-10-126(20)

SHOWER PAN
 115611-02-CHT
 TAILPIECE
 11069-01-000
 NUT
 130403-01-000
 WASHER
 127440-02-CHT
 STRAINER
 66729-01-000
 SEALANT

DETAIL D
 327WP

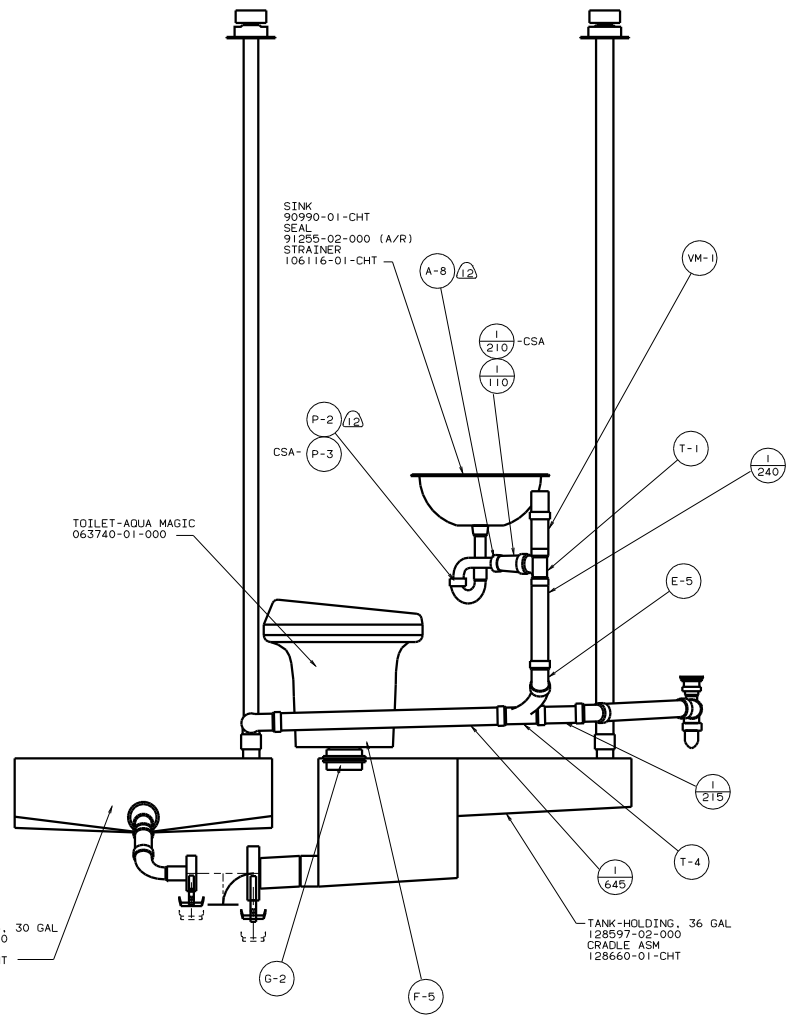
- NOTES:
1. SLOPE OF HORIZONTAL PIPING TO BE 6 PER 305 MM.
 2. SLOPE OF TRAP ARM MUST BE 6 PER 305.
 3. ALL PIPE AND FITTINGS TO BE ASSEMBLED WITH SOLVENT 4020-01-000.
 4. ALL EXTERIOR OPENINGS AROUND PIPE TO BE SEALED WITH 110744-01-000.
 5. EXPOSED PIPE ABOVE ROOF TO BE PAINTED 37163-01-000.
 6. FOR CAN UNITS EACH HOLDING TANK SHALL HAVE A CSA APPROVAL STAMPED NEAR THE IAMPO APPROVAL.
 7. SEAL ALL AROUND SHOWER WITH SILICONE.
 8. SEE DWG 61607-01-000 FOR INSTL OF GROMMETS.
- (2) NOT USED ON CANADIAN UNITS.
 (1) TRIM P-TRAP EXTENSION TO FIT.
 (10) SECURE VENT TUBES TO FLOOR WITH BRACKET 95061-01-000(2), CLAMP 62401-02-000, SCREW G67-10-126(2).
 (9) VENT PIPE MUST PROJECT 51 MM MIN AND 63.5 MM MAX ABOVE ROOF FOR PROPER FIT AND FUNCTION.

HOLDER-RING
 56134-02-000
 BOLT
 C12-05-16B
 NUT
 D12-05-00B
 HANGER-STRAP
 56133-13-000
 BOLT
 C18-05-40A
 NUT
 D39-05-00B

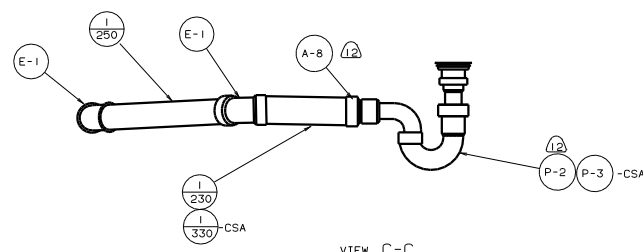
CLAMP
 62401-05-000

(X-X)
 FOR DRAINAGE CALLOUTS SEE DWG NO. 116229-01-000

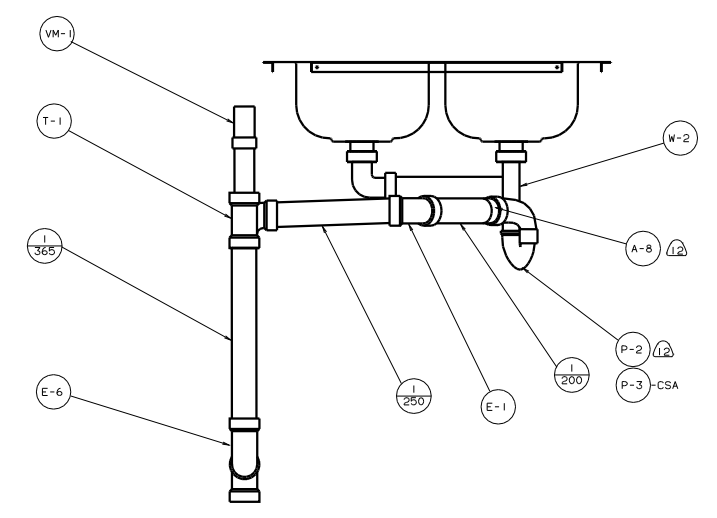
WINNEBAGO		98 327WU/WP
DATE	PROPOSED TOLERANCES ARE:	MATERIAL:
DWG	WHOLE (Ø) .125	
P.E.	FRACTIONAL (Ø) .005	
P.L.E.	THIRD ANGLE PROJECTION	
DATE	THIRD ANGLE PROJECTION	
DWG		
LAMP 327WUP	TITLE	
DRN #	SCALE: NONE	DRAINAGE SYSTEM INSTL
ALL DIMENSIONS ARE IN MILLIMETERS	SHEET 1 OF 2	128610



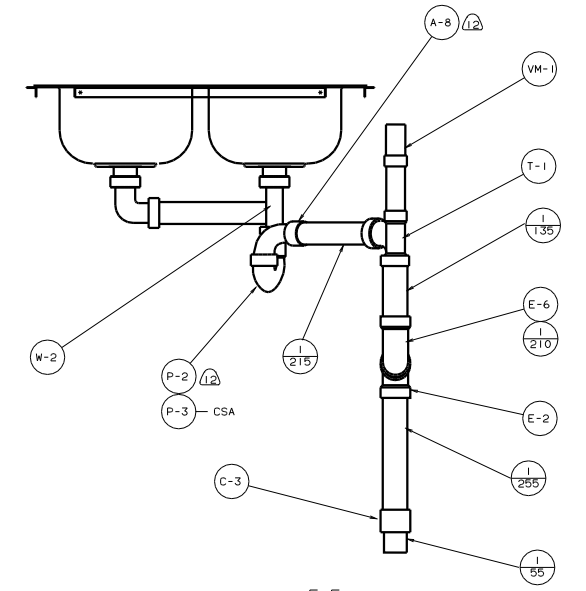
VIEW A-A



VIEW C-C



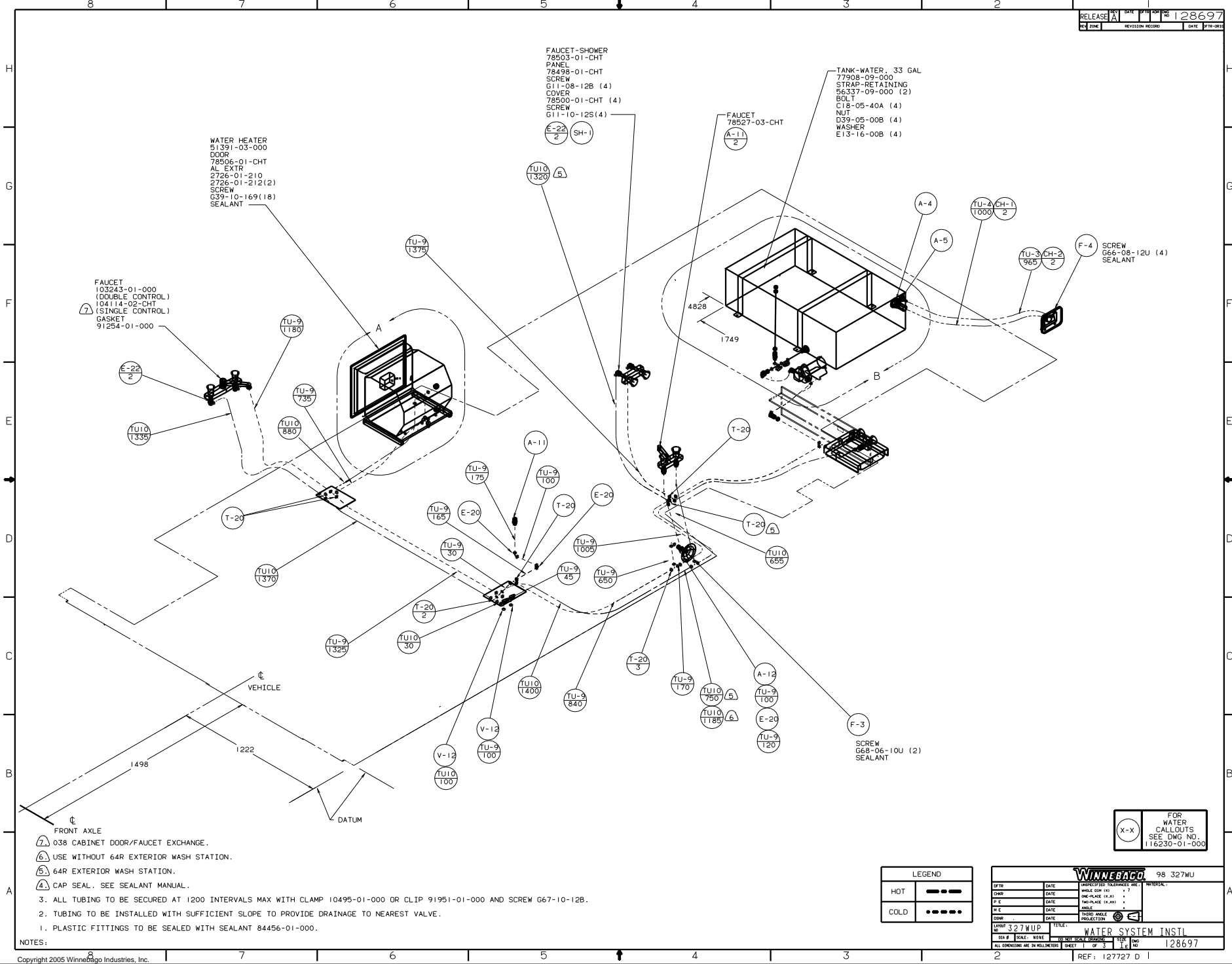
VIEW B-B
327WU



VIEW E-E
327WP

98 327WU/WP

TITLE: DRAINAGE SYSTEM INSTL	
NO. OF SHEETS: 2	SHEET NO. 2 OF 2
DATE: 1/16	REV. NO. 1
128610	



WATER HEATER
 51391-03-000
 DOOR
 78506-01-CHT
 AL EXTR
 2726-01-210
 2726-01-212(2)
 SCREW
 639-10-169(18)
 SEALANT

FAUCET-SHOWER
 78503-01-CHT
 PANEL
 78496-01-CHT
 SCREW
 G11-08-12B (4)
 COVER
 78500-01-CHT (4)
 SCREW
 G11-10-12S(4)
 (E-22 2) SH-1

FAUCET
 78527-03-CHT
 (A-11 2)

TANK-WATER, 33 GAL
 77908-09-000
 STRAP-RETAINING
 86337-09-000 (2)
 BOLT
 C18-05-40A (4)
 NUT
 D39-05-00B (4)
 WASHER
 E13-16-00B (4)

FAUCET
 103243-01-000
 (DOUBLE CONTROL)
 104114-02-CHT
 (SINGLE CONTROL)
 GASKET
 91254-01-000

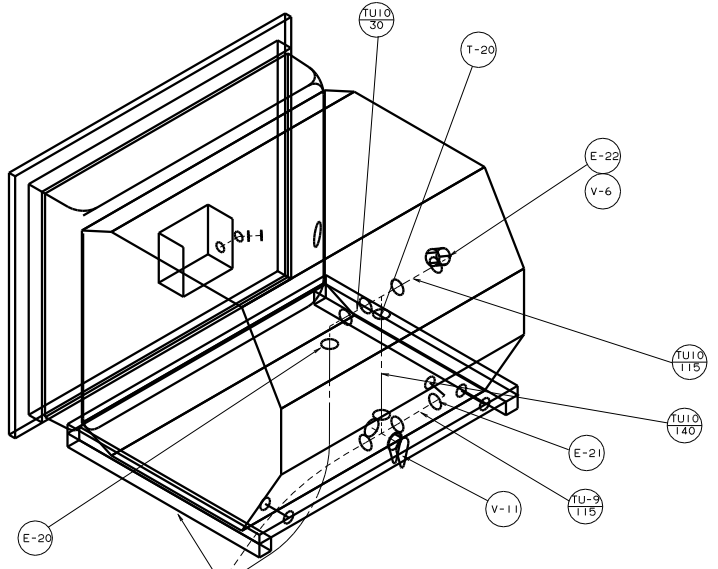
SCREW
 G66-08-12U (4)
 SEALANT

SCREW
 G68-06-10U (2)
 SEALANT

- NOTES:
1. PLASTIC FITTINGS TO BE SEALED WITH SEALANT 84456-01-000.
 2. TUBING TO BE INSTALLED WITH SUFFICIENT SLOPE TO PROVIDE DRAINAGE TO NEAREST VALVE.
 3. ALL TUBING TO BE SECURED AT 1200 INTERVALS MAX WITH CLAMP 10495-01-000 OR CLIP 91951-01-000 AND SCREW G67-10-12B.

LEGEND	
HOT	— — — —
COLD	— — — —

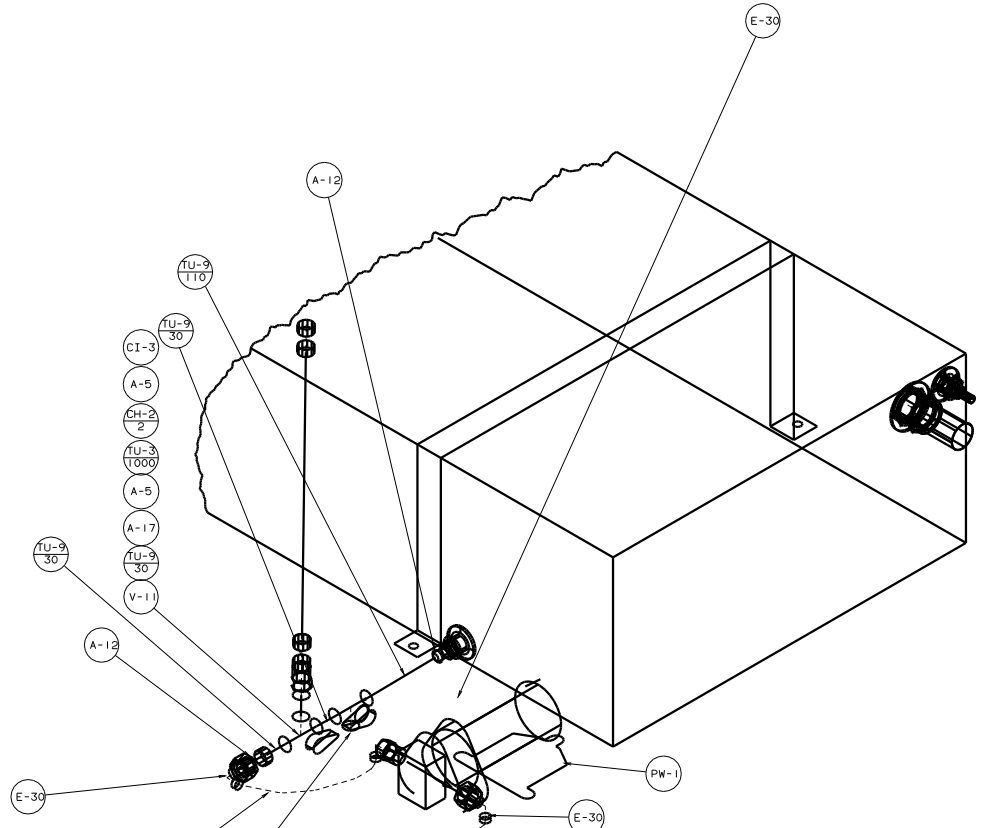
		98 327WU
DATE	UNSPECIFIED TOLERANCES ARE:	MATERIAL:
DATE	WHOLE DIM (IN)	FIT
DATE	ONE-PLACE (IN, IN)	DATE
DATE	TWO-PLACE (IN, IN)	DATE
DATE	THREE-PLACE (IN, IN)	DATE
DATE	FOUR-PLACE (IN, IN)	DATE
DATE	FIVE-PLACE (IN, IN)	DATE
DATE	SIX-PLACE (IN, IN)	DATE
DATE	SEVEN-PLACE (IN, IN)	DATE
DATE	EIGHT-PLACE (IN, IN)	DATE
DATE	NINE-PLACE (IN, IN)	DATE
DATE	TEN-PLACE (IN, IN)	DATE
DATE	ELEVEN-PLACE (IN, IN)	DATE
DATE	TWELVE-PLACE (IN, IN)	DATE
DATE	THIRTEEN-PLACE (IN, IN)	DATE
DATE	FOURTEEN-PLACE (IN, IN)	DATE
DATE	FIFTEEN-PLACE (IN, IN)	DATE
DATE	SIXTEEN-PLACE (IN, IN)	DATE
DATE	SEVENTEEN-PLACE (IN, IN)	DATE
DATE	EIGHTEEN-PLACE (IN, IN)	DATE
DATE	NINETEEN-PLACE (IN, IN)	DATE
DATE	TWENTY-PLACE (IN, IN)	DATE
DATE	TWENTY-ONE PLACE (IN, IN)	DATE
DATE	TWENTY-TWO PLACE (IN, IN)	DATE
DATE	TWENTY-THREE PLACE (IN, IN)	DATE
DATE	TWENTY-FOUR PLACE (IN, IN)	DATE
DATE	TWENTY-FIVE PLACE (IN, IN)	DATE
DATE	TWENTY-SIX PLACE (IN, IN)	DATE
DATE	TWENTY-SEVEN PLACE (IN, IN)	DATE
DATE	TWENTY-EIGHT PLACE (IN, IN)	DATE
DATE	TWENTY-NINE PLACE (IN, IN)	DATE
DATE	THIRTY PLACE (IN, IN)	DATE
DATE	THIRTY-ONE PLACE (IN, IN)	DATE
DATE	THIRTY-TWO PLACE (IN, IN)	DATE
DATE	THIRTY-THREE PLACE (IN, IN)	DATE
DATE	THIRTY-FOUR PLACE (IN, IN)	DATE
DATE	THIRTY-FIVE PLACE (IN, IN)	DATE
DATE	THIRTY-SIX PLACE (IN, IN)	DATE
DATE	THIRTY-SEVEN PLACE (IN, IN)	DATE
DATE	THIRTY-EIGHT PLACE (IN, IN)	DATE
DATE	THIRTY-NINE PLACE (IN, IN)	DATE
DATE	FOURTY PLACE (IN, IN)	DATE
DATE	FOURTY-ONE PLACE (IN, IN)	DATE
DATE	FOURTY-TWO PLACE (IN, IN)	DATE
DATE	FOURTY-THREE PLACE (IN, IN)	DATE
DATE	FOURTY-FOUR PLACE (IN, IN)	DATE
DATE	FOURTY-FIVE PLACE (IN, IN)	DATE
DATE	FOURTY-SIX PLACE (IN, IN)	DATE
DATE	FOURTY-SEVEN PLACE (IN, IN)	DATE
DATE	FOURTY-EIGHT PLACE (IN, IN)	DATE
DATE	FOURTY-NINE PLACE (IN, IN)	DATE
DATE	FIFTY PLACE (IN, IN)	DATE
DATE	FIFTY-ONE PLACE (IN, IN)	DATE
DATE	FIFTY-TWO PLACE (IN, IN)	DATE
DATE	FIFTY-THREE PLACE (IN, IN)	DATE
DATE	FIFTY-FOUR PLACE (IN, IN)	DATE
DATE	FIFTY-FIVE PLACE (IN, IN)	DATE
DATE	FIFTY-SIX PLACE (IN, IN)	DATE
DATE	FIFTY-SEVEN PLACE (IN, IN)	DATE
DATE	FIFTY-EIGHT PLACE (IN, IN)	DATE
DATE	FIFTY-NINE PLACE (IN, IN)	DATE
DATE	SIXTY PLACE (IN, IN)	DATE
DATE	SIXTY-ONE PLACE (IN, IN)	DATE
DATE	SIXTY-TWO PLACE (IN, IN)	DATE
DATE	SIXTY-THREE PLACE (IN, IN)	DATE
DATE	SIXTY-FOUR PLACE (IN, IN)	DATE
DATE	SIXTY-FIVE PLACE (IN, IN)	DATE
DATE	SIXTY-SIX PLACE (IN, IN)	DATE
DATE	SIXTY-SEVEN PLACE (IN, IN)	DATE
DATE	SIXTY-EIGHT PLACE (IN, IN)	DATE
DATE	SIXTY-NINE PLACE (IN, IN)	DATE
DATE	SEVENTY PLACE (IN, IN)	DATE
DATE	SEVENTY-ONE PLACE (IN, IN)	DATE
DATE	SEVENTY-TWO PLACE (IN, IN)	DATE
DATE	SEVENTY-THREE PLACE (IN, IN)	DATE
DATE	SEVENTY-FOUR PLACE (IN, IN)	DATE
DATE	SEVENTY-FIVE PLACE (IN, IN)	DATE
DATE	SEVENTY-SIX PLACE (IN, IN)	DATE
DATE	SEVENTY-SEVEN PLACE (IN, IN)	DATE
DATE	SEVENTY-EIGHT PLACE (IN, IN)	DATE
DATE	SEVENTY-NINE PLACE (IN, IN)	DATE
DATE	EIGHTY PLACE (IN, IN)	DATE
DATE	EIGHTY-ONE PLACE (IN, IN)	DATE
DATE	EIGHTY-TWO PLACE (IN, IN)	DATE
DATE	EIGHTY-THREE PLACE (IN, IN)	DATE
DATE	EIGHTY-FOUR PLACE (IN, IN)	DATE
DATE	EIGHTY-FIVE PLACE (IN, IN)	DATE
DATE	EIGHTY-SIX PLACE (IN, IN)	DATE
DATE	EIGHTY-SEVEN PLACE (IN, IN)	DATE
DATE	EIGHTY-EIGHT PLACE (IN, IN)	DATE
DATE	EIGHTY-NINE PLACE (IN, IN)	DATE
DATE	NINETY PLACE (IN, IN)	DATE
DATE	NINETY-ONE PLACE (IN, IN)	DATE
DATE	NINETY-TWO PLACE (IN, IN)	DATE
DATE	NINETY-THREE PLACE (IN, IN)	DATE
DATE	NINETY-FOUR PLACE (IN, IN)	DATE
DATE	NINETY-FIVE PLACE (IN, IN)	DATE
DATE	NINETY-SIX PLACE (IN, IN)	DATE
DATE	NINETY-SEVEN PLACE (IN, IN)	DATE
DATE	NINETY-EIGHT PLACE (IN, IN)	DATE
DATE	NINETY-NINE PLACE (IN, IN)	DATE
DATE	HUNDRED PLACE (IN, IN)	DATE



PLATFORM ASM-WATER HEATER
127394-01-XXX

TO BACK
OF UNIT

DETAIL A



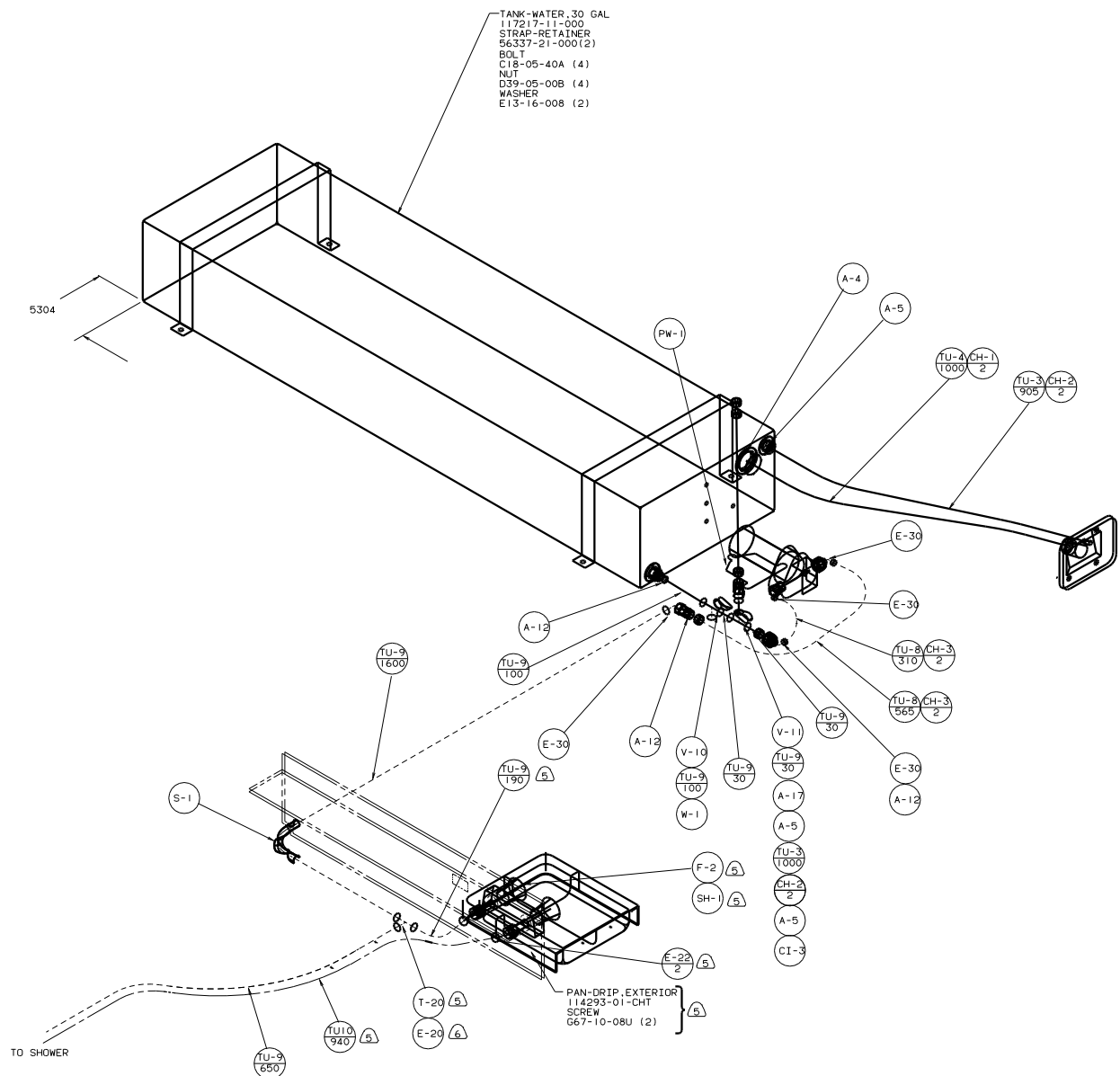
TO SHOWER

DETAIL B
44X BED-QUEEN SIDEWALL

PAN-DRIP EXTERIOR
114293-01-CHT
SCREW
G67-10-08U (2)

98 327WU

TITLE: WATER SYSTEM INSTL	
NO. OF SHEETS	TOTAL SHEETS
SHEET 2 OF 3	16
128697	



DETAIL B
45G BED-TWIN

98 327WU

TITLE: WATER SYSTEM INSTL	
NO. OF SHEETS	TOTAL SHEETS
3 OF 3	3
DWG. NO. 128697	