

- 5. EXPOSED PIPE ABOVE ROOF TO BE PAINTED 37163-01-000.
- 4. ALL EXTERIOR OPENINGS AROUND PIPE TO BE SEALED WITH 69637-01-000.
- 3. ALL PIPE AND FITTINGS TO BE ASSEMBLED WITH SOLVENT 4020-01-000.
- 2. SLOPE OF TRAP ARM MUST BE 6 PER 305.
- 1. SLOPE OF HORIZONTAL PIPING TO BE 6 PER 305 MIN.

- (10) 1A7 SHOWER PACKAGE WITHOUT.
- (9) 1A0 SHOWER PACKAGE.
- (8) VENT PIPE MUST PROJECT 51 MIN AND 63.5 MAX ABOVE ROOF FOR PROPER FIT AND FUNCTION.
- (7) SEE DWG 61607-01-000 FOR INSTALLATION OF GROMMET.
- 6. FOR CAN UNITS EACH HOLDING TANK SHALL HAVE A CSA APPROVAL STAMPED NEAR THE IAMPO APPROVAL.

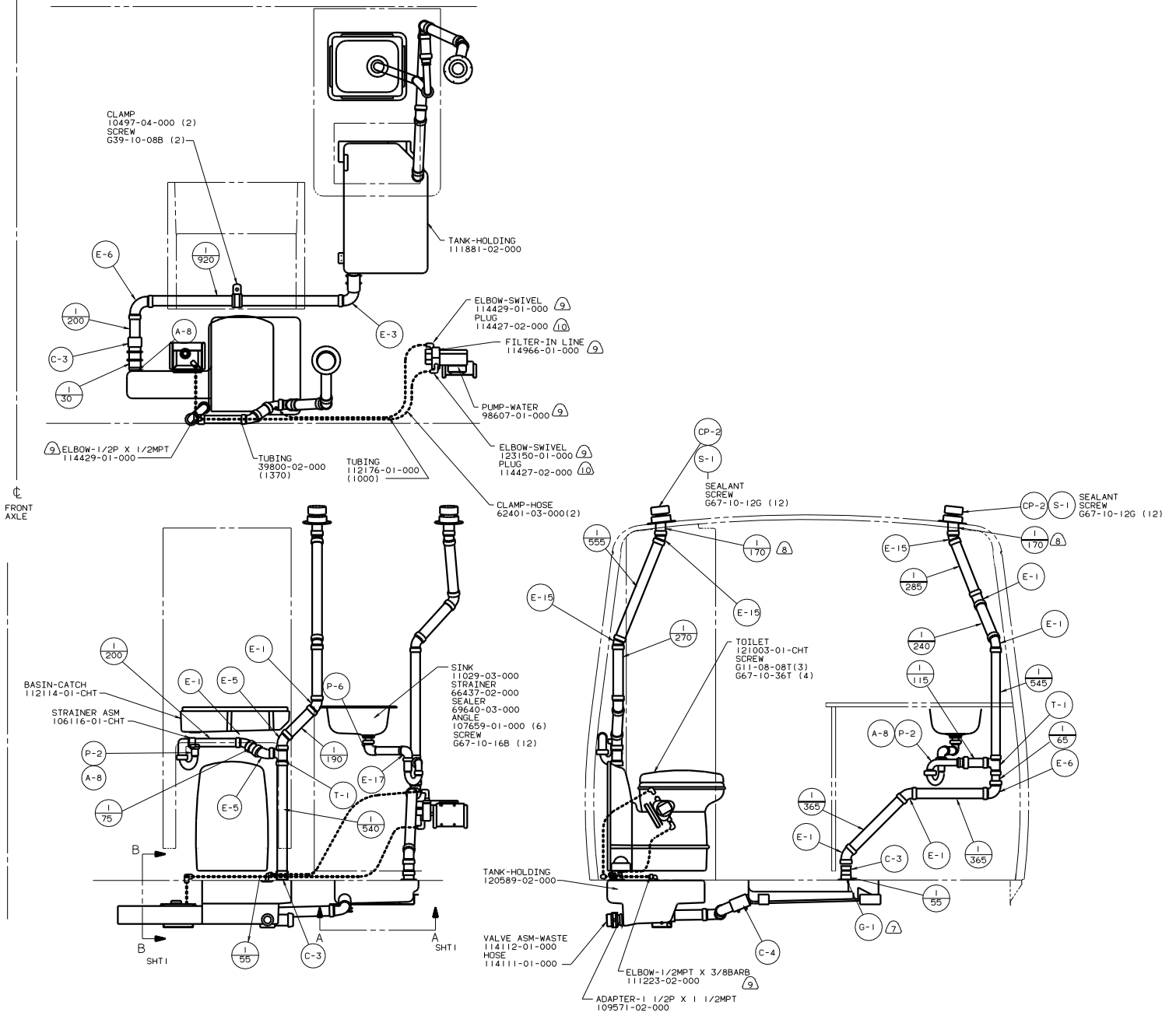
- (15) SECURE PIPES TO CABINET USING WIRE TIE 108046-02-000 AND SCREW G67-10-12U (8).
- (14) JAPAN ONLY.
- (13) NOT USED ON CANADIAN UNIT.
- (12) 265 CODE STANDARDS. CSA.
- (11) USE SCRAP CLOSED CELL NEOPRENE FROM 77075-01-02 OR -03 ON HAT CHANNELS FOR VIBRATION DAMPENING.



222 RD US/CANADIAN

1B1 CODE STANDARDS-USA
 265 CODE STANDARDS-CSA

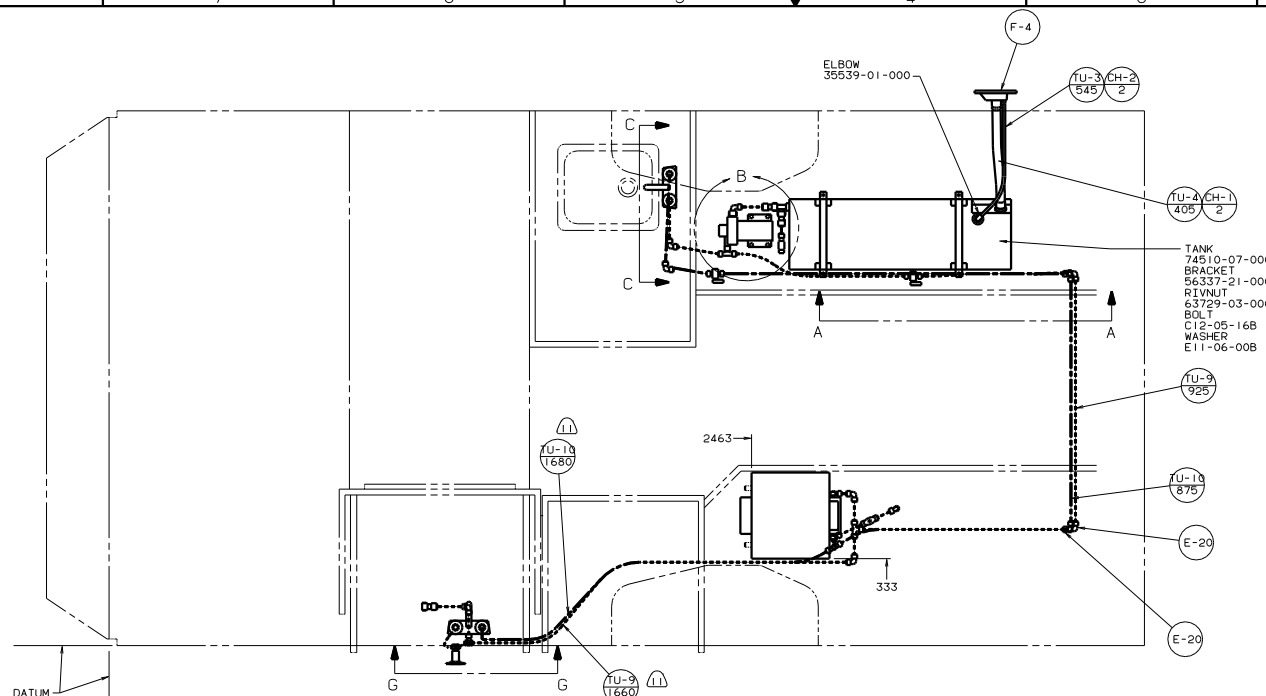
LAYOUT NO. 222RD7		TITLE: DRAINAGE SYSTEM INSTL	
DATE	DATE	UNDESIGNED TOLERANCES ARE:	MATERIAL:
DATE	DATE	ONE-PLACE (1X.01)	
DATE	DATE	TWO-PLACE (1X.00)	
DATE	DATE	THREE-PLACE (1X.00)	
DATE	DATE	FOUR-PLACE (1X.00)	
DATE	DATE	FIVE-PLACE (1X.00)	
DATE	DATE	SIX-PLACE (1X.00)	
DATE	DATE	SEVEN-PLACE (1X.00)	
DATE	DATE	EIGHT-PLACE (1X.00)	
DATE	DATE	NINE-PLACE (1X.00)	
DATE	DATE	TEN-PLACE (1X.00)	
DATE	DATE	ELEVEN-PLACE (1X.00)	
DATE	DATE	TWELVE-PLACE (1X.00)	
DATE	DATE	THIRTEEN-PLACE (1X.00)	
DATE	DATE	FOURTEEN-PLACE (1X.00)	
DATE	DATE	FIFTEEN-PLACE (1X.00)	
DATE	DATE	SIXTEEN-PLACE (1X.00)	
DATE	DATE	SEVENTEEN-PLACE (1X.00)	
DATE	DATE	EIGHTEEN-PLACE (1X.00)	
DATE	DATE	NINETEEN-PLACE (1X.00)	
DATE	DATE	TWENTY-PLACE (1X.00)	
DATE	DATE	TWENTY-ONE PLACE (1X.00)	
DATE	DATE	TWENTY-TWO PLACE (1X.00)	
DATE	DATE	TWENTY-THREE PLACE (1X.00)	
DATE	DATE	TWENTY-FOUR PLACE (1X.00)	
DATE	DATE	TWENTY-FIVE PLACE (1X.00)	
DATE	DATE	TWENTY-SIX PLACE (1X.00)	
DATE	DATE	TWENTY-SEVEN PLACE (1X.00)	
DATE	DATE	TWENTY-EIGHT PLACE (1X.00)	
DATE	DATE	TWENTY-NINE PLACE (1X.00)	
DATE	DATE	THIRTY PLACE (1X.00)	
DATE	DATE	THIRTY-ONE PLACE (1X.00)	
DATE	DATE	THIRTY-TWO PLACE (1X.00)	
DATE	DATE	THIRTY-THREE PLACE (1X.00)	
DATE	DATE	THIRTY-FOUR PLACE (1X.00)	
DATE	DATE	THIRTY-FIVE PLACE (1X.00)	
DATE	DATE	THIRTY-SIX PLACE (1X.00)	
DATE	DATE	THIRTY-SEVEN PLACE (1X.00)	
DATE	DATE	THIRTY-EIGHT PLACE (1X.00)	
DATE	DATE	THIRTY-NINE PLACE (1X.00)	
DATE	DATE	FOURTY PLACE (1X.00)	
DATE	DATE	FOURTY-ONE PLACE (1X.00)	
DATE	DATE	FOURTY-TWO PLACE (1X.00)	
DATE	DATE	FOURTY-THREE PLACE (1X.00)	
DATE	DATE	FOURTY-FOUR PLACE (1X.00)	
DATE	DATE	FOURTY-FIVE PLACE (1X.00)	
DATE	DATE	FOURTY-SIX PLACE (1X.00)	
DATE	DATE	FOURTY-SEVEN PLACE (1X.00)	
DATE	DATE	FOURTY-EIGHT PLACE (1X.00)	
DATE	DATE	FOURTY-NINE PLACE (1X.00)	
DATE	DATE	FIFTY PLACE (1X.00)	
DATE	DATE	FIFTY-ONE PLACE (1X.00)	
DATE	DATE	FIFTY-TWO PLACE (1X.00)	
DATE	DATE	FIFTY-THREE PLACE (1X.00)	
DATE	DATE	FIFTY-FOUR PLACE (1X.00)	
DATE	DATE	FIFTY-FIVE PLACE (1X.00)	
DATE	DATE	FIFTY-SIX PLACE (1X.00)	
DATE	DATE	FIFTY-SEVEN PLACE (1X.00)	
DATE	DATE	FIFTY-EIGHT PLACE (1X.00)	
DATE	DATE	FIFTY-NINE PLACE (1X.00)	
DATE	DATE	SIXTY PLACE (1X.00)	
DATE	DATE	SIXTY-ONE PLACE (1X.00)	
DATE	DATE	SIXTY-TWO PLACE (1X.00)	
DATE	DATE	SIXTY-THREE PLACE (1X.00)	
DATE	DATE	SIXTY-FOUR PLACE (1X.00)	
DATE	DATE	SIXTY-FIVE PLACE (1X.00)	
DATE	DATE	SIXTY-SIX PLACE (1X.00)	
DATE	DATE	SIXTY-SEVEN PLACE (1X.00)	
DATE	DATE	SIXTY-EIGHT PLACE (1X.00)	
DATE	DATE	SIXTY-NINE PLACE (1X.00)	
DATE	DATE	SEVENTY PLACE (1X.00)	
DATE	DATE	SEVENTY-ONE PLACE (1X.00)	
DATE	DATE	SEVENTY-TWO PLACE (1X.00)	
DATE	DATE	SEVENTY-THREE PLACE (1X.00)	
DATE	DATE	SEVENTY-FOUR PLACE (1X.00)	
DATE	DATE	SEVENTY-FIVE PLACE (1X.00)	
DATE	DATE	SEVENTY-SIX PLACE (1X.00)	
DATE	DATE	SEVENTY-SEVEN PLACE (1X.00)	
DATE	DATE	SEVENTY-EIGHT PLACE (1X.00)	
DATE	DATE	SEVENTY-NINE PLACE (1X.00)	
DATE	DATE	EIGHTY PLACE (1X.00)	
DATE	DATE	EIGHTY-ONE PLACE (1X.00)	
DATE	DATE	EIGHTY-TWO PLACE (1X.00)	
DATE	DATE	EIGHTY-THREE PLACE (1X.00)	
DATE	DATE	EIGHTY-FOUR PLACE (1X.00)	
DATE	DATE	EIGHTY-FIVE PLACE (1X.00)	
DATE	DATE	EIGHTY-SIX PLACE (1X.00)	
DATE	DATE	EIGHTY-SEVEN PLACE (1X.00)	
DATE	DATE	EIGHTY-EIGHT PLACE (1X.00)	
DATE	DATE	EIGHTY-NINE PLACE (1X.00)	
DATE	DATE	NINETY PLACE (1X.00)	
DATE	DATE	NINETY-ONE PLACE (1X.00)	
DATE	DATE	NINETY-TWO PLACE (1X.00)	
DATE	DATE	NINETY-THREE PLACE (1X.00)	
DATE	DATE	NINETY-FOUR PLACE (1X.00)	
DATE	DATE	NINETY-FIVE PLACE (1X.00)	
DATE	DATE	NINETY-SIX PLACE (1X.00)	
DATE	DATE	NINETY-SEVEN PLACE (1X.00)	
DATE	DATE	NINETY-EIGHT PLACE (1X.00)	
DATE	DATE	NINETY-NINE PLACE (1X.00)	
DATE	DATE	HUNDRED PLACE (1X.00)	



98 222RD
JAPAN EXPORT

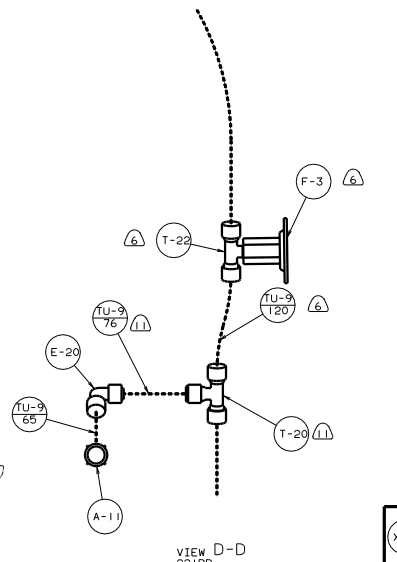
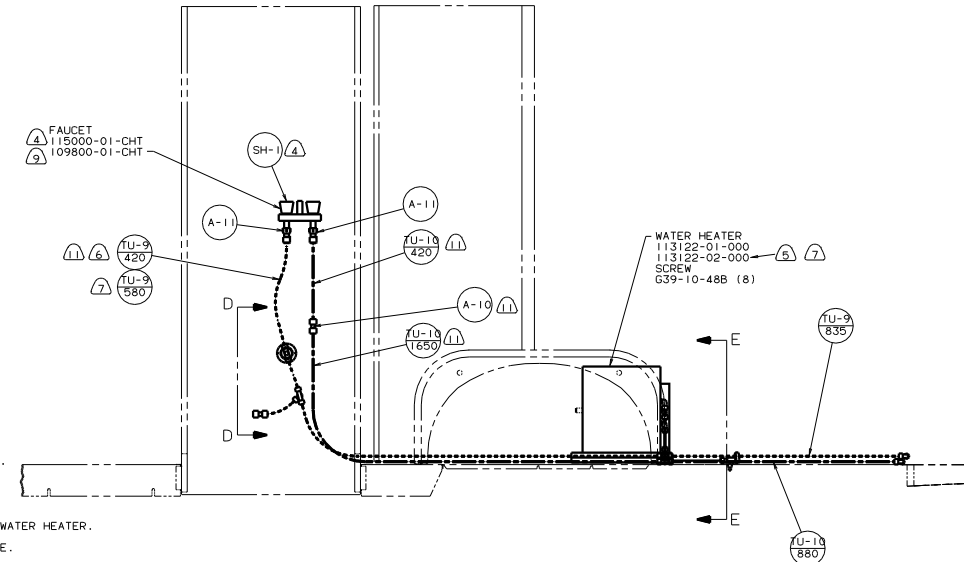
04L JAPAN EXPORT PKG

TITLE		DRAINAGE SYSTEM INSTL	
DO NOT SCALE DRAWING	REV	INC	NO
SHEET 2 OF 2	1	1	126888



- TANK 74510-07-000
- BRACKET 56337-21-000 (2)
- RIVNUT 63729-03-000 (4)
- BOLT C12-05-168 (4)
- WASHER E11-06-00B (4)

FRONT AXLE



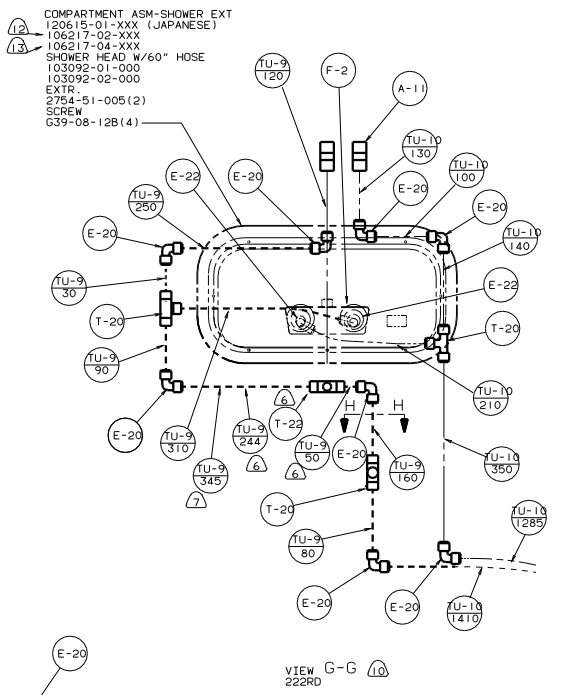
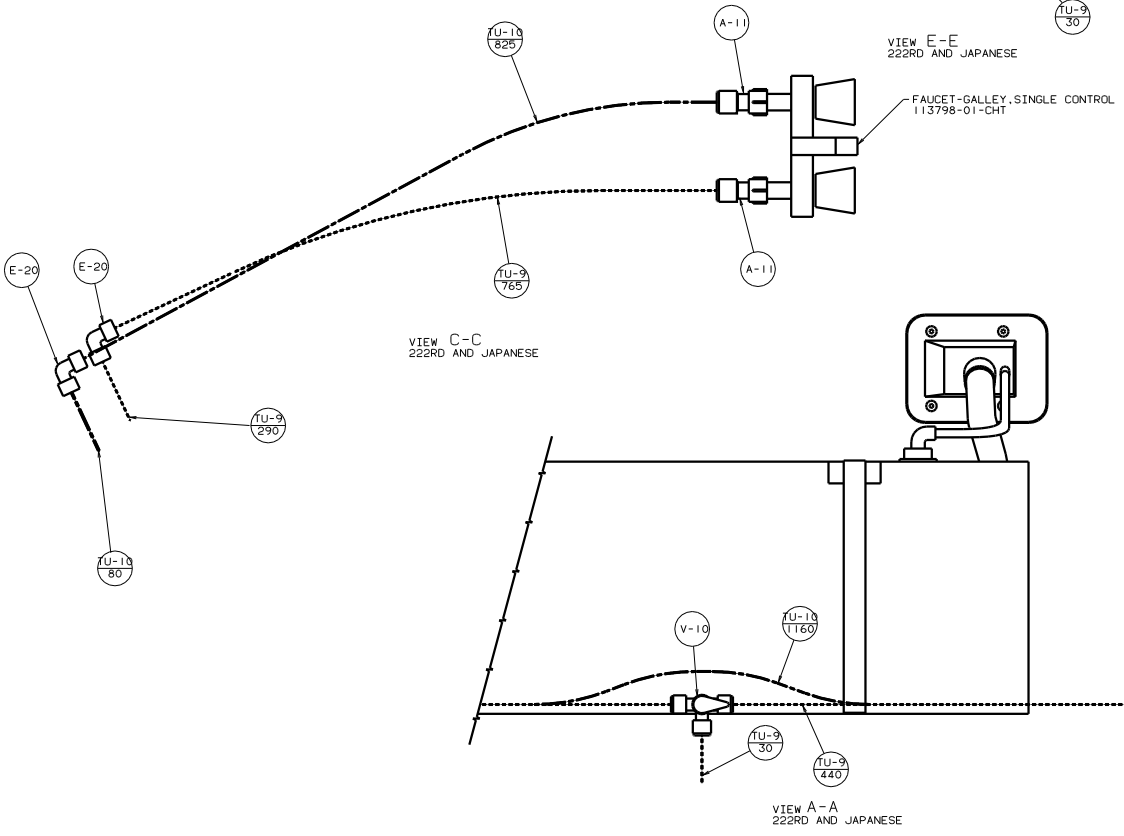
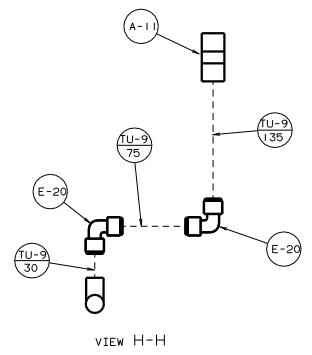
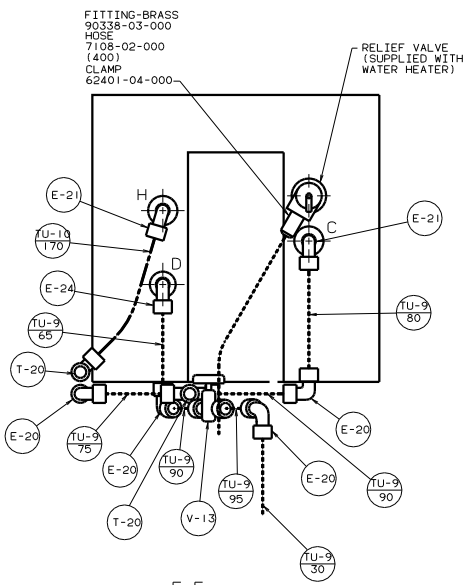
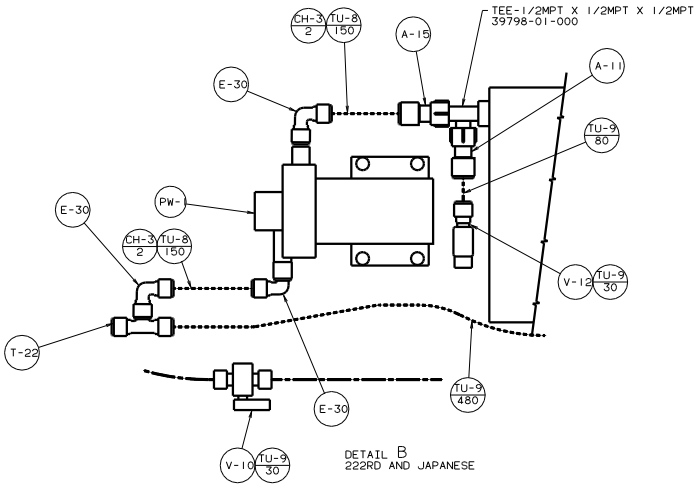
FOR WATER CALLOUTS SEE DWG NO. 116230-01-000

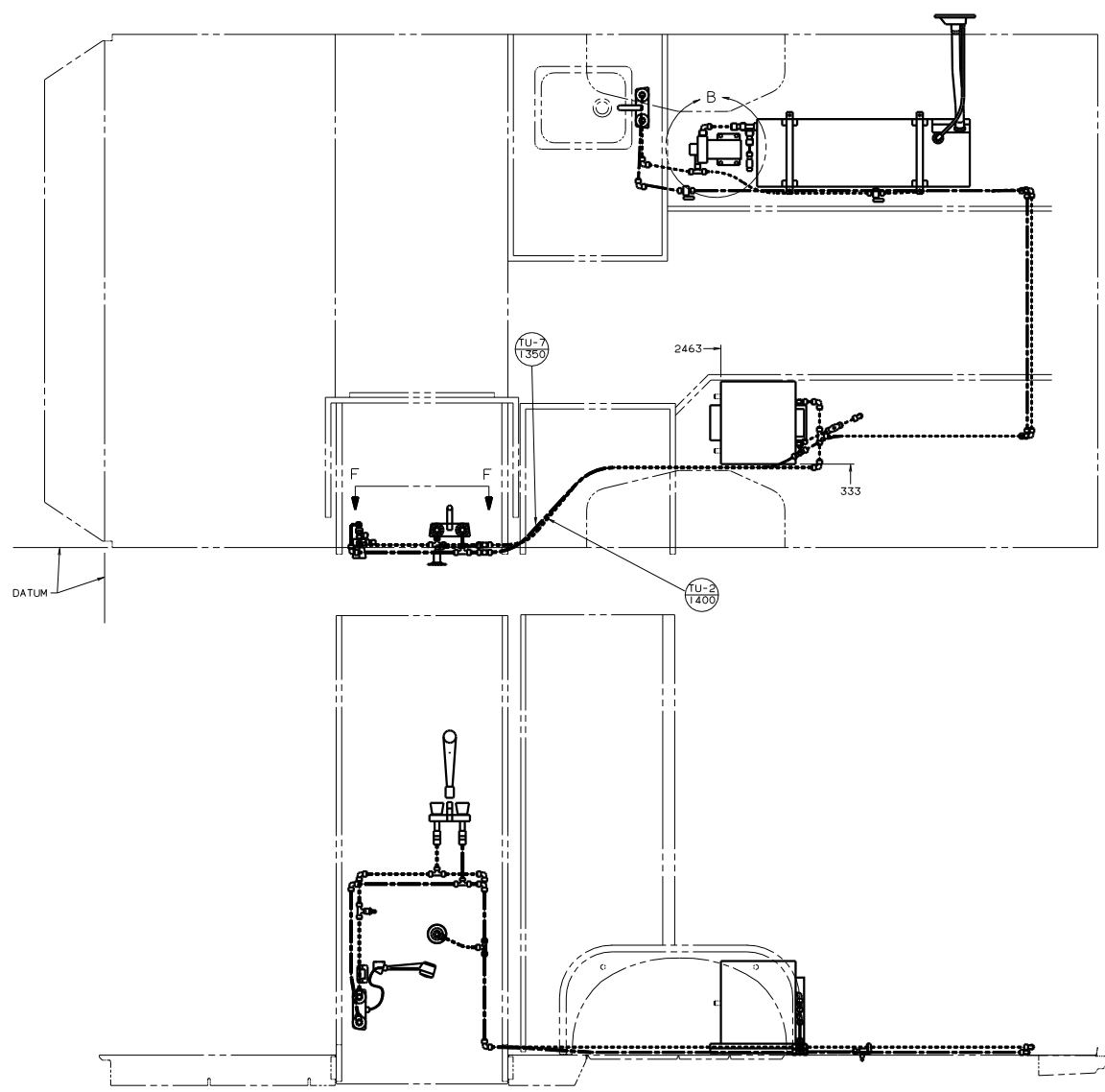
- (13) USE ON 98 MODELS.
 - (12) USE ON 97 MODELS.
 - (11) NOT REQUIRED WITH EXTERIOR SHOWER.
 - (10) USE WITH EXTERIOR SHOWER ONLY.
 - (9) USE WITHOUT SHOWER SUMP SYSTEM.
 - (8) PLUG DRAIN HOLES IN FLOOR WITHOUT WATER HEATER.
 - (7) USE WITH W.I.E. EXPORT PREP PACKAGE.
 - (6) NOT USED WITH W.I.E. EXPORT PREP PACKAGE.
 - (5) USE WITH 220V WATER HEATER PACKAGE.
 - (4) USE WITH SHOWER SUMP SYSTEM.
3. ALL TUBING TO BE SECURED AT 1200 INTERVALS MAXIMUM WITH CLAMP 10495-01-000 OR CLIP 91951-01-000 AND SCREW G67-10-12B.
 2. TUBING TO BE INSTALLED WITH SUFFICIENT SLOPE TO PROVIDE DRAINAGE TO NEAREST VALVE.
 1. PLASTIC FITTINGS TO BE SEALED WITH SEALANT 84456-01-000.

LEGEND	
HOT	-----
COLD	*****

WINNEBAGO 97 H-SERIES		
OP/IN	DATE	UNDESIGNATED TOLERANCES ARE:
CHP	DATE	WHOLE DIM (IN) ± .1
DFE	DATE	ONE-PLACE (IN) ± .01
F/C	DATE	TWO-PLACE (IN) ± .001
M/C	DATE	ANGLE
CONP	DATE	THIRD ANGLE PERSPECTIVE

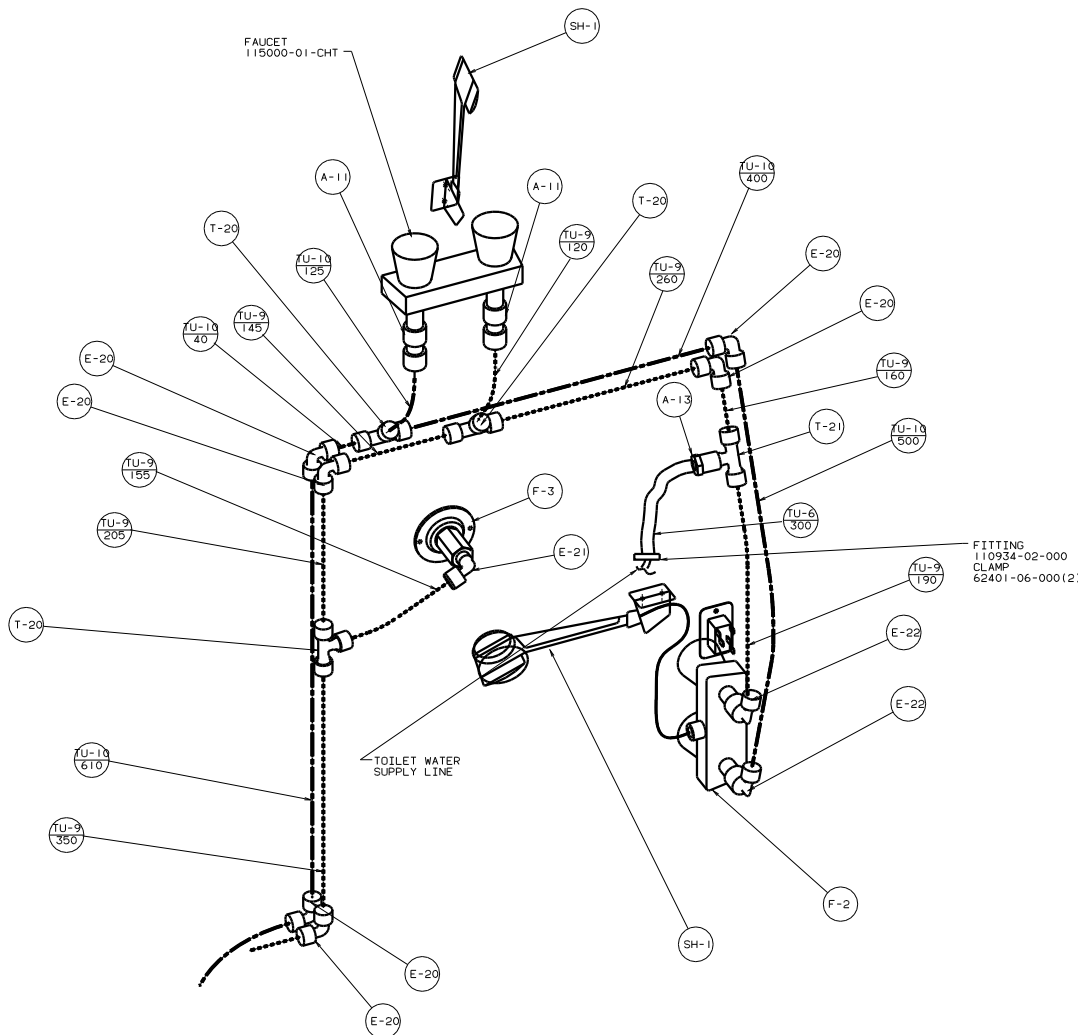
LENATH: WV222 TITLE: WATER SYSTEM INSTL
REV # SCALE: NONE DIMS: TO THE SCALE SHOWN THE DIMS: 1:1
ALL DIMENSIONS ARE IN MILLIMETERS SHEET 1 OF 4 DWG NO: 124555





97 222RD
JAPAN EXPORT

TITLE: WATER SYSTEM INSTL	
DATE: 11/16	REV: 1
SHEET 3 OF 4	DWG NO: 124555



VIEW F-F
JAPANESE

TITLE		124555	
WATER SYSTEM INSTL			
NO. OF SHEETS	TOTAL SHEETS	DATE	REV.
4 of 4	4		