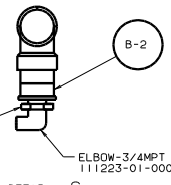
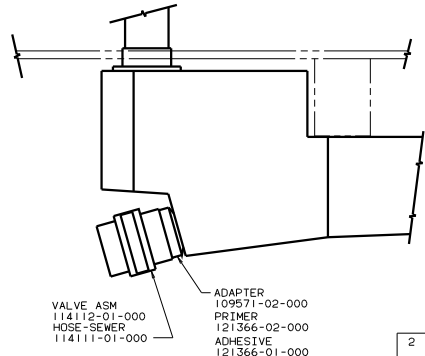


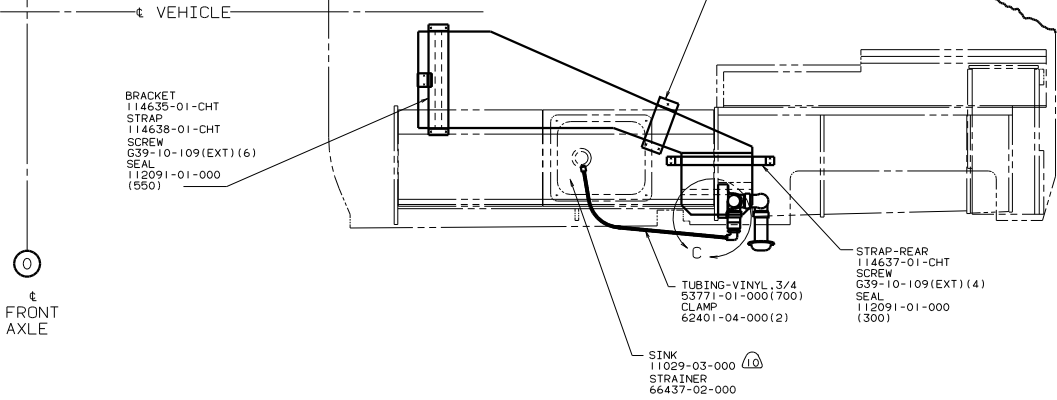
DETAIL B



DETAIL C



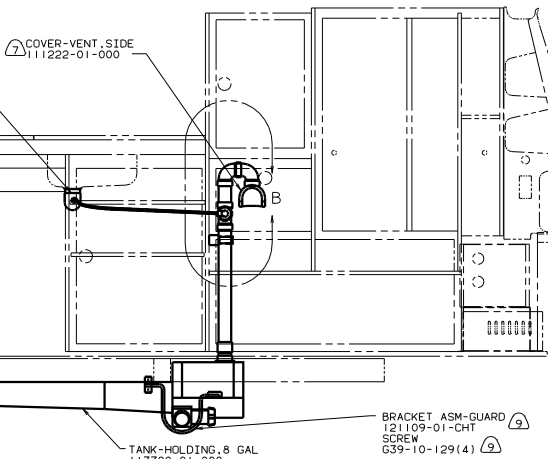
DETAIL A



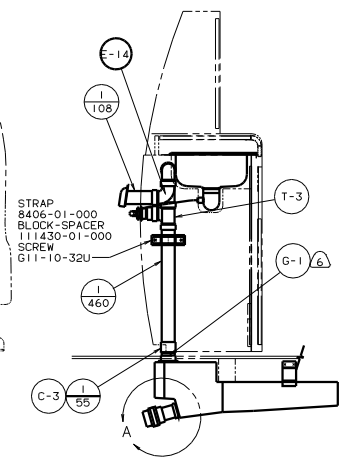
FRONT AXLE

FRONT AXLE

- ② USE FOR CANADA EXPORT.
- 8. ALL EXTERIOR OPENINGS AROUND PIPE TO BE SEALED WITH 69637-01-000.
- ⑦ VENT PIPE MUST BE PROJECTED TO 15 MAXIMUM FROM SIDEWALL FOR PROPER FIT AND FUNCTION.
- ⑥ SEE DRAWING 61607-01-000 FOR INSTALLATION OF GROMMET.
- 5. EXPOSED PIPE ON EXTERIOR TO BE PAINTED 37163-01-000.
- 4. FOR CANADIAN UNITS EACH HOLDING TANK SHALL HAVE A CSA APPROVAL STAMPED NEAR IAPMO APPROVAL.
- 3. ALL PIPE AND FITTINGS TO BE ASSEMBLED WITH SOLVENT 4020-01-000.
- 2. SLOPE OF TRAP MUST BE 6 PER 300 MINIMUM.
- 1. SLOPE OF HORIZONTAL PIPING TO BE 6 PER 300 MINIMUM.



⑩ FASTENER CLAMPS AND SCREWS SUPPLIED WITH SINK.



NO	PART NUMBER	DESCRIPTION	QTY
2	010197-01-000	PIPE-3"	
1	010197-02-000	PIPE-.3" BLK CSA	801
	010195-01-000	PIPE-1 1/2"	
	010195-02-000	PIPE-1 1/2" CSA	
Y-1	010073-01-000	WYE-1 1/2" X 45" H X H X H	
W-3	011091-03-000	CONTINUOUS WASTE 1 1/4" CSA	
W-2	011091-02-000	CONTINUOUS WASTE 1 1/4"	
W-1	011091-01-000	CONTINUOUS WASTE 1 1/4"	
VM-1	079968-01-000	VENT-MECHANICAL	
V-7	062418-01-000	VALVE-3", W/HANDLE	
V-6	062418-02-000	VALVE-3" W/O HANDLE	
V-5	082696-01-000	VALVE-3"	
V-4	062421-02-000	VALVE-1 1/2" W/O HANDLE	
V-3	062421-01-000	VALVE-1 1/2" W/HANDLE	
V-2	082695-01-000	VALVE-1 1/2"	
V-1	070916-01-000	VALVE-DUAL, 3" & 1 1/2"	
T-3	010071-02-000	TEE-PLAS 1 1/2 W/BAFFLE	
T-2	031365-01-000	TEE-PLAS, 3X3X1 1/2 EXT LG TUR	
T-1	010071-01-000	TEE-1 1/2" X 1 1/2" X 1 1/2"	
PL-3	010168-01-000	PLUG-1 1/2"	
PL-2	010166-02-000	PLUG-1 1/4" MPT CSA	
PL-1	010166-01-000	PLUG-1 1/4" MPT	
P-3	011071-01-000	P-TRAP-CANADA-GALLEY	
P-2	107538-01-000	P-TRAP-PLAS 1 1/4" W/EXT ARM	
P-1	011066-02-000	P-TRAP-1 1/4" & 1 1/2" CSA	
N-4	010129-04-000	NIPPLE-PLAS 3" X 7 5/8" TOE	
N-3	010129-03-000	NIPPLE-PLAS 3" X 3" TOE	
N-2	010129-01-000	NIPPLE-PLAS 3" X 2 5/8" TOE	
N-1	102024-01-000	NIPPLE-PLAS 1 1/2" X 2 5/8" TOE	
H-2	010201-02-000	HOSE SEWER 3" ID X 20 FT	
H-1	010201-01-000	HOSE SEWER 3" ID X 10 FT	
G-2	061607-02-000	GROMMET	
G-1	061607-01-000	GROMMET	
F-6	063641-02-000	FLANGE-CLOSET 4" X 3"	
F-5	063641-01-000	FLANGE-CLOSET 4" X 3"	
F-4	024676-02-000	FLANGE-CLOSET 4" X 3"	
F-3	024676-01-000	FLANGE-CLOSET 4" X 3"	
F-2	010147-02-000	FLANGE-CLOSET 4" X 3" FPT	
F-1	010147-01-000	FLANGE-CLOSET 4" X 3" FPT	
E-15	010005-01-000	ELBOW-PLAS 1/16 BD 1 1/2X22 1/2	
E-14	010009-01-000	ELBOW-ST-PLAS 1/4 BD 1 1/2 X 90	
E-13	031126-01-000	ELBOW 3" X EXTRA LONG TURN	
E-12	037101-01-000	ELBOW-90° SHORT TURN	
E-11	041956-01-000	ELBOW-3" X 90 EXTRA LONG TURN	
E-10	010061-01-000	ELBOW-3" X 45° S	
E-9	010024-01-000	ELBOW-3" X 45°	
E-8	010025-01-000	ELBOW-3" X LONG TURN	
E-7	010023-01-000	ELBOW-PLAS, ST 1/16BD 3 X 22.5'	
E-6	010008-01-000	ELBOW-1 1/2" X 90, EXT LG TURN	
E-5	010001-01-000	ELBOW-1 1/2" X 45° S	
E-4	010001-01-000	ELBOW-1 1/2" X 45°	
E-3	033761-01-000	ELBOW-1 1/2" X 90 EXT LG TURN	
E-2	034250-01-000	ELBOW-1 1/2" X LONG TURN	
E-1	010006-01-000	ELBOW-PLAS-1/8BD 1 1/2X45 HHX	
CP-2	089069-01-CHT	CAP ASM-VENT PIPE, ROOF	
CP-1	062415-01-000	CAP-SEWER 3"	
C-3	010115-01-000	COUPLING-1 1/2" X 1 1/2"	
C-2	078406-01-000	COUPLER-RUBBER 3" X 3"	
C-1	010117-01-000	COUPLER-3 H X H	
B-3	010122-02-000	BUSHING-PLAS 1 1/2 X 1 1/4T CSA	
B-2	010122-01-000	BUSHING-PLAS 1 1/2" X 1 1/4T	
B-1	010123-01-000	BUSHING-2" X 1 1/2"	
A-8	109571-01-000	ADAPTER-1 1/2" X 1 1/4" MPT	
A-6	062416-01-000	HOSE-ADAPTER, 3"	
A-5	033302-01-000	ADAPTER-1 1/2"	
A-4	062417-01-000	ADAPTER-3"	
A-3	093592-01-000	ADAPTER-SEWER HOSE 45°	
A-2	109450-01-000	ADAPTER-PLAS HOSE, SEWER	
A-1	062422-01-000	ADAPTER-OFFSET REDUCER 3 X 1 1/2"	

WINNEGAGO 94 V117RC

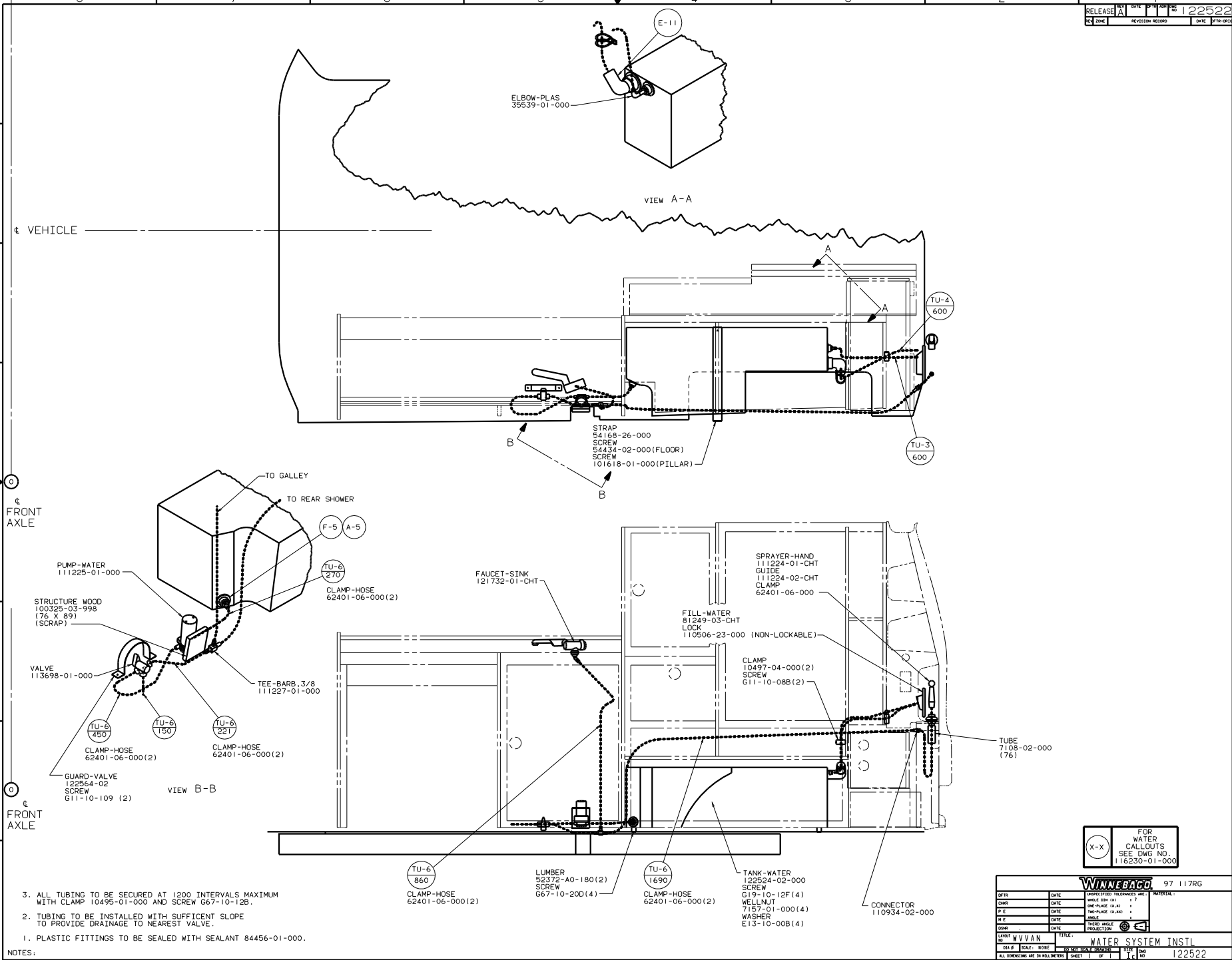
DATE: 11/10/95

SCALE: 1/8" = 1'

PROJECT: DRAINAGE SYSTEM INSTL

SHEET: 1 OF 1

111055



3. ALL TUBING TO BE SECURED AT 1200 INTERVALS MAXIMUM WITH CLAMP 10495-01-000 AND SCREW G67-10-12B.
2. TUBING TO BE INSTALLED WITH SUFFICIENT SLOPE TO PROVIDE DRAINAGE TO NEAREST VALVE.
1. PLASTIC FITTINGS TO BE SEALED WITH SEALANT 84456-01-000.

(X-X) FOR WATER CALLOUTS SEE DWG NO. 116230-01-000

WINNEBAGO 97 117RG	
DATE	UNSPECIFIED TOLERANCES ARE:
DATE	WHOLE DIM (IN)
DATE	ONE-PLACE (IN)
DATE	TWO-PLACE (IN)
DATE	THREE-PLACE (IN)
DATE	FOUR-PLACE (IN)
DATE	FIVE-PLACE (IN)
DATE	SIX-PLACE (IN)
DATE	SEVEN-PLACE (IN)
DATE	EIGHT-PLACE (IN)
DATE	NINE-PLACE (IN)
DATE	TEN-PLACE (IN)
DATE	ELEVEN-PLACE (IN)
DATE	TWELVE-PLACE (IN)
DATE	THIRTEEN-PLACE (IN)
DATE	FOURTEEN-PLACE (IN)
DATE	FIFTEEN-PLACE (IN)
DATE	SIXTEEN-PLACE (IN)
DATE	SEVENTEEN-PLACE (IN)
DATE	EIGHTEEN-PLACE (IN)
DATE	NINETEEN-PLACE (IN)
DATE	TWENTY-PLACE (IN)
DATE	TWENTY-ONE PLACE (IN)
DATE	TWENTY-TWO PLACE (IN)
DATE	TWENTY-THREE PLACE (IN)
DATE	TWENTY-FOUR PLACE (IN)
DATE	TWENTY-FIVE PLACE (IN)
DATE	TWENTY-SIX PLACE (IN)
DATE	TWENTY-SEVEN PLACE (IN)
DATE	TWENTY-EIGHT PLACE (IN)
DATE	TWENTY-NINE PLACE (IN)
DATE	THIRTY PLACE (IN)
DATE	THIRTY-ONE PLACE (IN)
DATE	THIRTY-TWO PLACE (IN)
DATE	THIRTY-THREE PLACE (IN)
DATE	THIRTY-FOUR PLACE (IN)
DATE	THIRTY-FIVE PLACE (IN)
DATE	THIRTY-SIX PLACE (IN)
DATE	THIRTY-SEVEN PLACE (IN)
DATE	THIRTY-EIGHT PLACE (IN)
DATE	THIRTY-NINE PLACE (IN)
DATE	FOURTY PLACE (IN)
DATE	FOURTY-ONE PLACE (IN)
DATE	FOURTY-TWO PLACE (IN)
DATE	FOURTY-THREE PLACE (IN)
DATE	FOURTY-FOUR PLACE (IN)
DATE	FOURTY-FIVE PLACE (IN)
DATE	FOURTY-SIX PLACE (IN)
DATE	FOURTY-SEVEN PLACE (IN)
DATE	FOURTY-EIGHT PLACE (IN)
DATE	FOURTY-NINE PLACE (IN)
DATE	FIFTY PLACE (IN)
DATE	FIFTY-ONE PLACE (IN)
DATE	FIFTY-TWO PLACE (IN)
DATE	FIFTY-THREE PLACE (IN)
DATE	FIFTY-FOUR PLACE (IN)
DATE	FIFTY-FIVE PLACE (IN)
DATE	FIFTY-SIX PLACE (IN)
DATE	FIFTY-SEVEN PLACE (IN)
DATE	FIFTY-EIGHT PLACE (IN)
DATE	FIFTY-NINE PLACE (IN)
DATE	SIXTY PLACE (IN)
DATE	SIXTY-ONE PLACE (IN)
DATE	SIXTY-TWO PLACE (IN)
DATE	SIXTY-THREE PLACE (IN)
DATE	SIXTY-FOUR PLACE (IN)
DATE	SIXTY-FIVE PLACE (IN)
DATE	SIXTY-SIX PLACE (IN)
DATE	SIXTY-SEVEN PLACE (IN)
DATE	SIXTY-EIGHT PLACE (IN)
DATE	SIXTY-NINE PLACE (IN)
DATE	SEVENTY PLACE (IN)
DATE	SEVENTY-ONE PLACE (IN)
DATE	SEVENTY-TWO PLACE (IN)
DATE	SEVENTY-THREE PLACE (IN)
DATE	SEVENTY-FOUR PLACE (IN)
DATE	SEVENTY-FIVE PLACE (IN)
DATE	SEVENTY-SIX PLACE (IN)
DATE	SEVENTY-SEVEN PLACE (IN)
DATE	SEVENTY-EIGHT PLACE (IN)
DATE	SEVENTY-NINE PLACE (IN)
DATE	EIGHTY PLACE (IN)
DATE	EIGHTY-ONE PLACE (IN)
DATE	EIGHTY-TWO PLACE (IN)
DATE	EIGHTY-THREE PLACE (IN)
DATE	EIGHTY-FOUR PLACE (IN)
DATE	EIGHTY-FIVE PLACE (IN)
DATE	EIGHTY-SIX PLACE (IN)
DATE	EIGHTY-SEVEN PLACE (IN)
DATE	EIGHTY-EIGHT PLACE (IN)
DATE	EIGHTY-NINE PLACE (IN)
DATE	NINETY PLACE (IN)
DATE	NINETY-ONE PLACE (IN)
DATE	NINETY-TWO PLACE (IN)
DATE	NINETY-THREE PLACE (IN)
DATE	NINETY-FOUR PLACE (IN)
DATE	NINETY-FIVE PLACE (IN)
DATE	NINETY-SIX PLACE (IN)
DATE	NINETY-SEVEN PLACE (IN)
DATE	NINETY-EIGHT PLACE (IN)
DATE	NINETY-NINE PLACE (IN)
DATE	HUNDRED PLACE (IN)
DATE	HUNDRED-ONE PLACE (IN)
DATE	HUNDRED-TWO PLACE (IN)
DATE	HUNDRED-THREE PLACE (IN)
DATE	HUNDRED-FOUR PLACE (IN)
DATE	HUNDRED-FIVE PLACE (IN)
DATE	HUNDRED-SIX PLACE (IN)
DATE	HUNDRED-SEVEN PLACE (IN)
DATE	HUNDRED-EIGHT PLACE (IN)
DATE	HUNDRED-NINE PLACE (IN)
DATE	ONE THOUSAND PLACE (IN)
DATE	ONE THOUSAND-ONE PLACE (IN)
DATE	ONE THOUSAND-TWO PLACE (IN)
DATE	ONE THOUSAND-THREE PLACE (IN)
DATE	ONE THOUSAND-FOUR PLACE (IN)
DATE	ONE THOUSAND-FIVE PLACE (IN)
DATE	ONE THOUSAND-SIX PLACE (IN)
DATE	ONE THOUSAND-SEVEN PLACE (IN)
DATE	ONE THOUSAND-EIGHT PLACE (IN)
DATE	ONE THOUSAND-NINE PLACE (IN)
DATE	TWO THOUSAND PLACE (IN)
DATE	TWO THOUSAND-ONE PLACE (IN)
DATE	TWO THOUSAND-TWO PLACE (IN)
DATE	TWO THOUSAND-THREE PLACE (IN)
DATE	TWO THOUSAND-FOUR PLACE (IN)
DATE	TWO THOUSAND-FIVE PLACE (IN)
DATE	TWO THOUSAND-SIX PLACE (IN)
DATE	TWO THOUSAND-SEVEN PLACE (IN)
DATE	TWO THOUSAND-EIGHT PLACE (IN)
DATE	TWO THOUSAND-NINE PLACE (IN)
DATE	THREE THOUSAND PLACE (IN)
DATE	THREE THOUSAND-ONE PLACE (IN)
DATE	THREE THOUSAND-TWO PLACE (IN)
DATE	THREE THOUSAND-THREE PLACE (IN)
DATE	THREE THOUSAND-FOUR PLACE (IN)
DATE	THREE THOUSAND-FIVE PLACE (IN)
DATE	THREE THOUSAND-SIX PLACE (IN)
DATE	THREE THOUSAND-SEVEN PLACE (IN)
DATE	THREE THOUSAND-EIGHT PLACE (IN)
DATE	THREE THOUSAND-NINE PLACE (IN)
DATE	FOUR THOUSAND PLACE (IN)
DATE	FOUR THOUSAND-ONE PLACE (IN)
DATE	FOUR THOUSAND-TWO PLACE (IN)
DATE	FOUR THOUSAND-THREE PLACE (IN)
DATE	FOUR THOUSAND-FOUR PLACE (IN)
DATE	FOUR THOUSAND-FIVE PLACE (IN)
DATE	FOUR THOUSAND-SIX PLACE (IN)
DATE	FOUR THOUSAND-SEVEN PLACE (IN)
DATE	FOUR THOUSAND-EIGHT PLACE (IN)
DATE	FOUR THOUSAND-NINE PLACE (IN)
DATE	FIVE THOUSAND PLACE (IN)
DATE	FIVE THOUSAND-ONE PLACE (IN)
DATE	FIVE THOUSAND-TWO PLACE (IN)
DATE	FIVE THOUSAND-THREE PLACE (IN)
DATE	FIVE THOUSAND-FOUR PLACE (IN)
DATE	FIVE THOUSAND-FIVE PLACE (IN)
DATE	FIVE THOUSAND-SIX PLACE (IN)
DATE	FIVE THOUSAND-SEVEN PLACE (IN)
DATE	FIVE THOUSAND-EIGHT PLACE (IN)
DATE	FIVE THOUSAND-NINE PLACE (IN)
DATE	SIX THOUSAND PLACE (IN)
DATE	SIX THOUSAND-ONE PLACE (IN)
DATE	SIX THOUSAND-TWO PLACE (IN)
DATE	SIX THOUSAND-THREE PLACE (IN)
DATE	SIX THOUSAND-FOUR PLACE (IN)
DATE	SIX THOUSAND-FIVE PLACE (IN)
DATE	SIX THOUSAND-SIX PLACE (IN)
DATE	SIX THOUSAND-SEVEN PLACE (IN)
DATE	SIX THOUSAND-EIGHT PLACE (IN)
DATE	SIX THOUSAND-NINE PLACE (IN)
DATE	SEVEN THOUSAND PLACE (IN)
DATE	SEVEN THOUSAND-ONE PLACE (IN)
DATE	SEVEN THOUSAND-TWO PLACE (IN)
DATE	SEVEN THOUSAND-THREE PLACE (IN)
DATE	SEVEN THOUSAND-FOUR PLACE (IN)
DATE	SEVEN THOUSAND-FIVE PLACE (IN)
DATE	SEVEN THOUSAND-SIX PLACE (IN)
DATE	SEVEN THOUSAND-SEVEN PLACE (IN)
DATE	SEVEN THOUSAND-EIGHT PLACE (IN)
DATE	SEVEN THOUSAND-NINE PLACE (IN)
DATE	EIGHT THOUSAND PLACE (IN)
DATE	EIGHT THOUSAND-ONE PLACE (IN)
DATE	EIGHT THOUSAND-TWO PLACE (IN)
DATE	EIGHT THOUSAND-THREE PLACE (IN)
DATE	EIGHT THOUSAND-FOUR PLACE (IN)
DATE	EIGHT THOUSAND-FIVE PLACE (IN)
DATE	EIGHT THOUSAND-SIX PLACE (IN)
DATE	EIGHT THOUSAND-SEVEN PLACE (IN)
DATE	EIGHT THOUSAND-EIGHT PLACE (IN)
DATE	EIGHT THOUSAND-NINE PLACE (IN)
DATE	NINE THOUSAND PLACE (IN)
DATE	NINE THOUSAND-ONE PLACE (IN)
DATE	NINE THOUSAND-TWO PLACE (IN)
DATE	NINE THOUSAND-THREE PLACE (IN)
DATE	NINE THOUSAND-FOUR PLACE (IN)
DATE	NINE THOUSAND-FIVE PLACE (IN)
DATE	NINE THOUSAND-SIX PLACE (IN)
DATE	NINE THOUSAND-SEVEN PLACE (IN)
DATE	NINE THOUSAND-EIGHT PLACE (IN)
DATE	NINE THOUSAND-NINE PLACE (IN)
DATE	TEN THOUSAND PLACE (IN)
DATE	TEN THOUSAND-ONE PLACE (IN)
DATE	TEN THOUSAND-TWO PLACE (IN)
DATE	TEN THOUSAND-THREE PLACE (IN)
DATE	TEN THOUSAND-FOUR PLACE (IN)
DATE	TEN THOUSAND-FIVE PLACE (IN)
DATE	TEN THOUSAND-SIX PLACE (IN)
DATE	TEN THOUSAND-SEVEN PLACE (IN)
DATE	TEN THOUSAND-EIGHT PLACE (IN)
DATE	TEN THOUSAND-NINE PLACE (IN)
DATE	ELEVEN THOUSAND PLACE (IN)
DATE	ELEVEN THOUSAND-ONE PLACE (IN)
DATE	ELEVEN THOUSAND-TWO PLACE (IN)
DATE	ELEVEN THOUSAND-THREE PLACE (IN)
DATE	ELEVEN THOUSAND-FOUR PLACE (IN)
DATE	ELEVEN THOUSAND-FIVE PLACE (IN)
DATE	ELEVEN THOUSAND-SIX PLACE (IN)
DATE	ELEVEN THOUSAND-SEVEN PLACE (IN)
DATE	ELEVEN THOUSAND-EIGHT PLACE (IN)
DATE	ELEVEN THOUSAND-NINE PLACE (IN)
DATE	TWELVE THOUSAND PLACE (IN)
DATE	TWELVE THOUSAND-ONE PLACE (IN)
DATE	TWELVE THOUSAND-TWO PLACE (IN)
DATE	TWELVE THOUSAND-THREE PLACE (IN)
DATE	TWELVE THOUSAND-FOUR PLACE (IN)
DATE	TWELVE THOUSAND-FIVE PLACE (IN)
DATE	TWELVE THOUSAND-SIX PLACE (IN)
DATE	TWELVE THOUSAND-SEVEN PLACE (IN)
DATE	TWELVE THOUSAND-EIGHT PLACE (IN)
DATE	TWELVE THOUSAND-NINE PLACE (IN)
DATE	THIRTY THOUSAND PLACE (IN)
DATE	THIRTY THOUSAND-ONE PLACE (IN)
DATE	THIRTY THOUSAND-TWO PLACE (IN)
DATE	THIRTY THOUSAND-THREE PLACE (IN)
DATE	THIRTY THOUSAND-FOUR PLACE (IN)
DATE	THIRTY THOUSAND-FIVE PLACE (IN)
DATE	THIRTY THOUSAND-SIX PLACE (IN)
DATE	THIRTY THOUSAND-SEVEN PLACE (IN)
DATE	THIRTY THOUSAND-EIGHT PLACE (IN)
DATE	THIRTY THOUSAND-NINE PLACE (IN)
DATE	FOURTY THOUSAND PLACE (IN)
DATE	FOURTY THOUSAND-ONE PLACE (IN)
DATE	FOURTY THOUSAND-TWO PLACE (IN)
DATE	FOURTY THOUSAND-THREE PLACE (IN)
DATE	FOURTY THOUSAND-FOUR PLACE (IN)
DATE	FOURTY THOUSAND-FIVE PLACE (IN)
DATE	FOURTY THOUSAND-SIX PLACE (IN)
DATE	FOURTY THOUSAND-SEVEN PLACE (IN)
DATE	FOURTY THOUSAND-EIGHT PLACE (IN)
DATE	FOURTY THOUSAND-NINE PLACE (IN)
DATE	FIFTY THOUSAND PLACE (IN)
DATE	FIFTY THOUSAND-ONE PLACE (IN)
DATE	FIFTY THOUSAND-TWO PLACE (IN)
DATE	FIFTY THOUSAND-THREE PLACE (IN)
DATE	FIFTY THOUSAND-FOUR PLACE (IN)
DATE	FIFTY THOUSAND-FIVE PLACE (IN)
DATE	FIFTY THOUSAND-SIX PLACE (IN)
DATE	FIFTY THOUSAND-SEVEN PLACE (IN)
DATE	FIFTY THOUSAND-EIGHT PLACE (IN)
DATE	FIFTY THOUSAND-NINE PLACE (IN)
DATE	SIXTY THOUSAND PLACE (IN)
DATE	SIXTY THOUSAND-ONE PLACE (IN)
DATE	SIXTY THOUSAND-TWO PLACE (IN)
DATE	SIXTY THOUSAND-THREE PLACE (IN)
DATE	SIXTY THOUSAND-FOUR PLACE (IN)
DATE	SIXTY THOUSAND-FIVE PLACE (IN)
DATE	SIXTY THOUSAND-SIX PLACE (IN)
DATE	SIXTY THOUSAND-SEVEN PLACE (IN)
DATE	SIXTY THOUSAND-EIGHT PLACE (IN)
DATE	SIXTY THOUSAND-NINE PLACE (IN)
DATE	SEVENTY THOUSAND PLACE (IN)
DATE	SEVENTY THOUSAND-ONE PLACE (IN)
DATE	SEVENTY THOUSAND-TWO PLACE (IN)
DATE	SEVENTY THOUSAND-THREE PLACE (IN)
DATE	SEVENTY THOUSAND-FOUR PLACE (IN)
DATE	SEVENTY THOUSAND-FIVE PLACE (IN)
DATE	SEVENTY THOUSAND-SIX PLACE (IN)
DATE	SEVENTY THOUSAND-SEVEN PLACE (IN)
DATE	SEVENTY THOUSAND-EIGHT PLACE (IN)
DATE	SEVENTY THOUSAND-NINE PLACE (IN)
DATE	EIGHTY THOUSAND PLACE (IN)
DATE	EIGHTY THOUSAND-ONE PLACE (IN)
DATE	EIGHTY THOUSAND-TWO PLACE (IN)
DATE	EIGHTY THOUSAND-THREE PLACE (IN)
DATE	EIGHTY THOUSAND-FOUR PLACE (IN)
DATE	EIGHTY THOUSAND-FIVE PLACE (IN)
DATE	EIGHTY THOUSAND-SIX PLACE (IN)
DATE	EIGHTY THOUSAND-SEVEN PLACE (IN)
DATE	EIGHTY THOUSAND-EIGHT PLACE (IN)
DATE	EIGHTY THOUSAND-NINE PLACE (IN)
DATE	NINETY THOUSAND PLACE (IN)
DATE	NINETY THOUSAND-ONE PLACE (IN)
DATE	NINETY THOUSAND-TWO PLACE (IN)
DATE	NINETY THOUSAND-THREE PLACE (IN)
DATE	NINETY THOUSAND-FOUR PLACE (IN)
DATE	NINETY THOUSAND-FIVE PLACE (IN)
DATE	NINETY THOUSAND-SIX PLACE (IN)
DATE	NINETY THOUSAND-SEVEN PLACE (IN)
DATE	NINETY THOUSAND-EIGHT PLACE (IN)
DATE	NINETY THOUSAND-NINE PLACE (IN)
DATE	ONE HUNDRED THOUSAND PLACE (IN)
DATE	ONE HUNDRED THOUSAND-ONE PLACE (IN)
DATE	ONE HUNDRED THOUSAND-TWO PLACE (IN)
DATE	ONE HUNDRED THOUSAND-THREE PLACE (IN)
DATE	ONE HUNDRED THOUSAND-FOUR PLACE (IN)
DATE	ONE HUNDRED THOUSAND-FIVE PLACE (IN)
DATE	ONE HUNDRED THOUSAND-SIX PLACE (IN)
DATE	ONE HUNDRED THOUSAND-SEVEN PLACE (IN)
DATE	ONE HUNDRED THOUSAND-EIGHT PLACE (IN)
DATE	ONE HUNDRED THOUSAND-NINE PLACE (IN)
DATE	TWO HUNDRED THOUSAND PLACE (IN)
DATE	TWO HUNDRED THOUSAND-ONE PLACE (IN)
DATE	TWO HUNDRED THOUSAND-TWO PLACE (IN)
DATE	TWO HUNDRED THOUSAND-THREE PLACE (IN)
DATE	TWO HUNDRED THOUSAND-FOUR PLACE (IN)
DATE	TWO HUNDRED THOUSAND-FIVE PLACE (IN)
DATE	TWO HUNDRED THOUSAND