



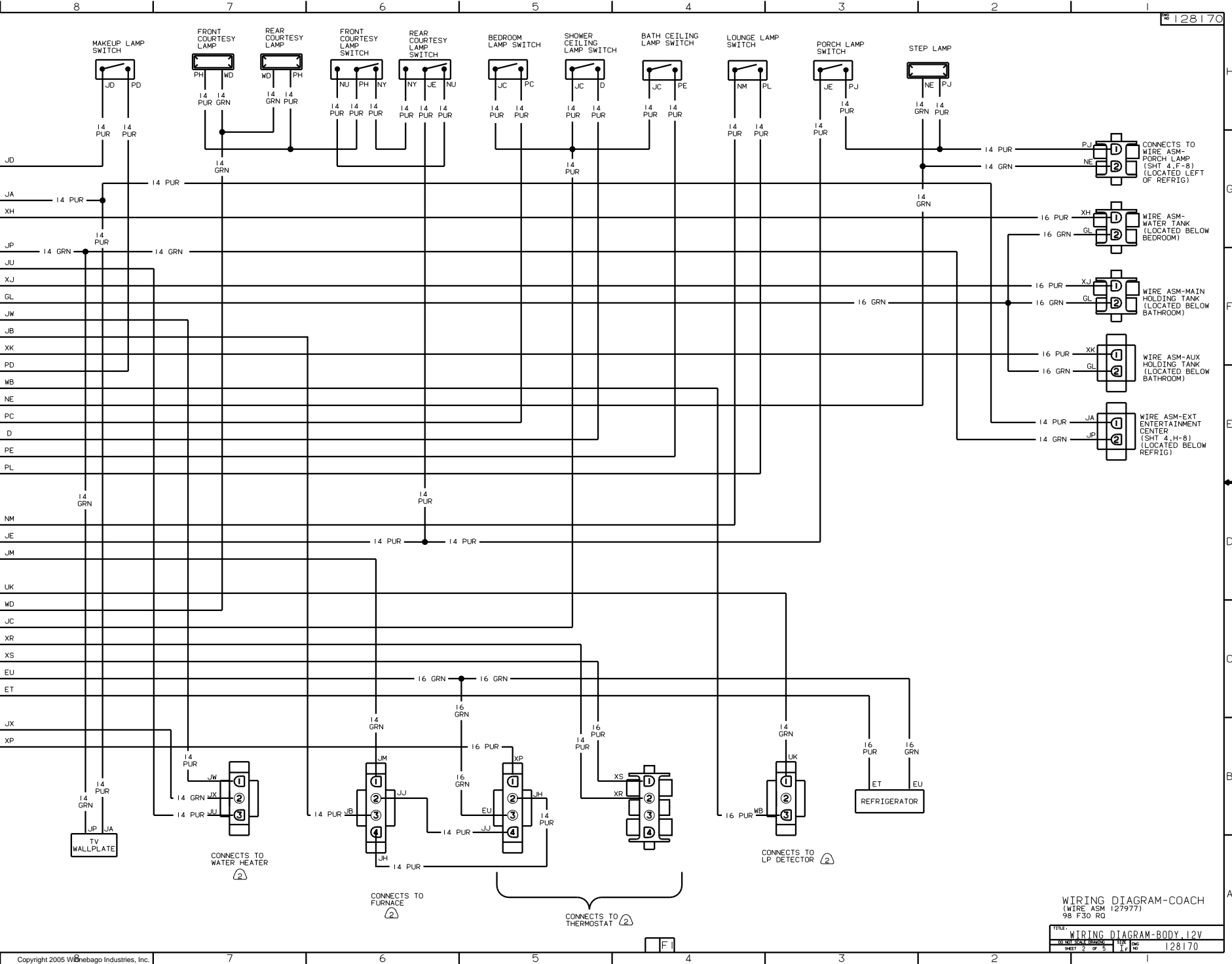
DANGER

Danger of electrical shock, burns or death. Always remove all power sources before attempting any repair, service or diagnostic work. Power can be present from shore power, generator, inverter or battery. All power sources must be disabled and secured before performing any service.



CAUTION

If you lack the skills, tools or equipment to perform diagnostic or repair work leave such work to an authorized Winnebago Industries dealer or other qualified shop.



CONNECTS TO WIRE ASM-PORCH LAMP (SHT 4,F-8) (LOCATED LEFT OF REFRIG)

WIRE ASM-WATER TANK (LOCATED BELOW BEDROOM)

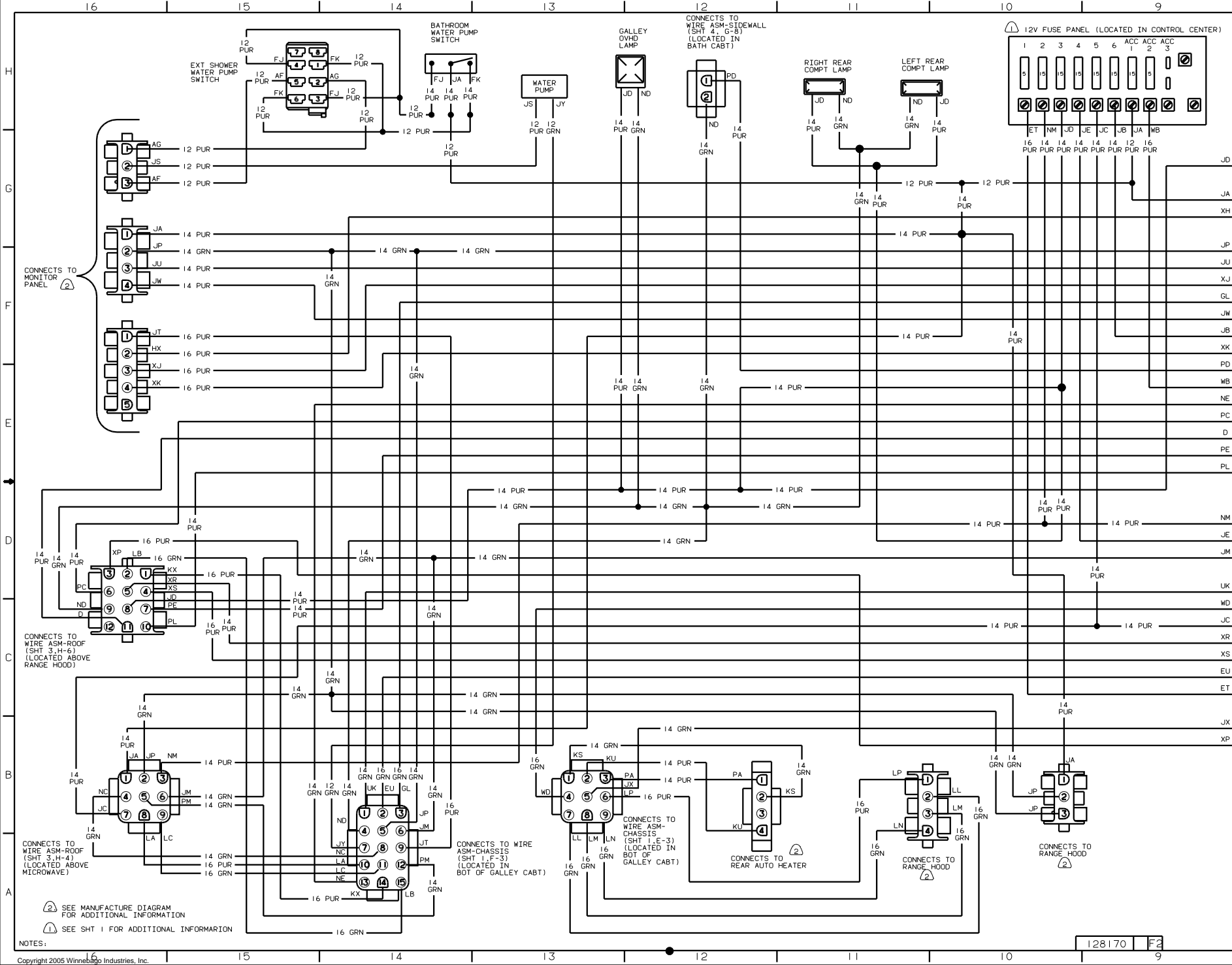
WIRE ASM-MAIN HOLDING TANK (LOCATED BELOW BATHROOM)

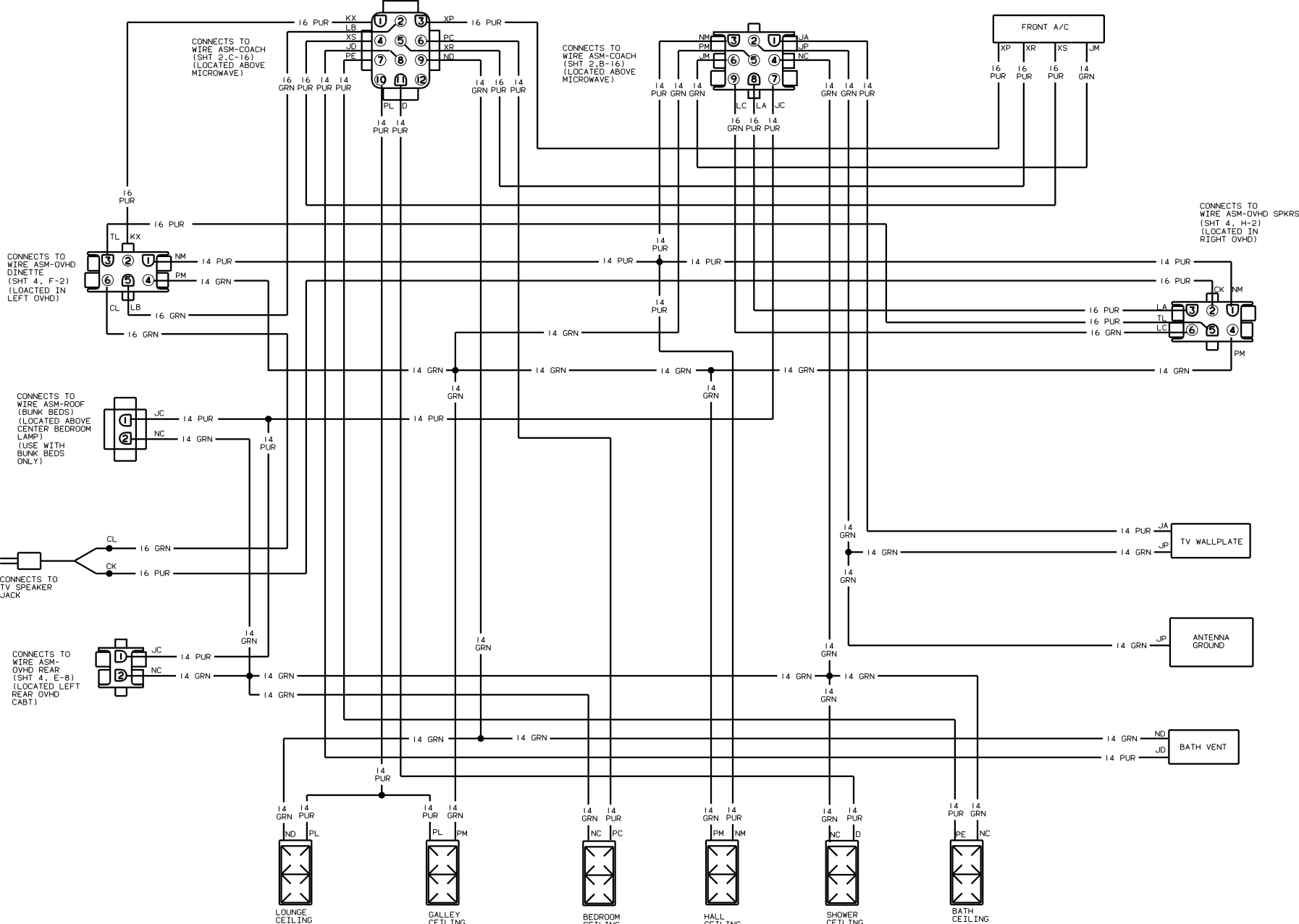
WIRE ASM-AUX HOLDING TANK (LOCATED BELOW BATHROOM)

WIRE ASM-EXT ENTERTAINMENT CENTER (SHT 4,H-8) (LOCATED BELOW REFRIG)

WIRING DIAGRAM-COACH
 (WIRE ASM 127977)
 98 F30 RQ

TITLE: WIRING DIAGRAM-BODY.I2V
 NO. OF SHEETS: 1 OF 5
 SHEET 2 OF 5





CONNECTS TO WIRE ASM-OVHD DINETTE (SHT 4, F-2) (LOCATED IN LEFT OVHD)

CONNECTS TO WIRE ASM-COACH (SHT 2, C-16) (LOCATED ABOVE MICROWAVE)

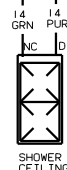
CONNECTS TO WIRE ASM-COACH (SHT 2, S-16) (LOCATED ABOVE MICROWAVE)

CONNECTS TO WIRE ASM-OVHD SPKRS (SHT 4, H-2) (LOCATED IN RIGHT OVHD)

CONNECTS TO WIRE ASM-ROOF (BUNK BEDS) (LOCATED ABOVE CENTER BEDROOM LAMP) (USE WITH BUNK BEDS ONLY)

CONNECTS TO TV SPEAKER JACK

CONNECTS TO WIRE ASM-OVHD REAR (SHT 4, E-8) (LOCATED LEFT REAR OVHD CABT)



WIRING DIAGRAM-ROOF (WIRE ASM 122358)

98 F30RQ

TITLE: WIRING DIAGRAM-BODY_12V	
NO. OF SHEETS: 5	SHEET NO: 3
DATE: 1.6	REV: 1.6
128170	

