



**DANGER**

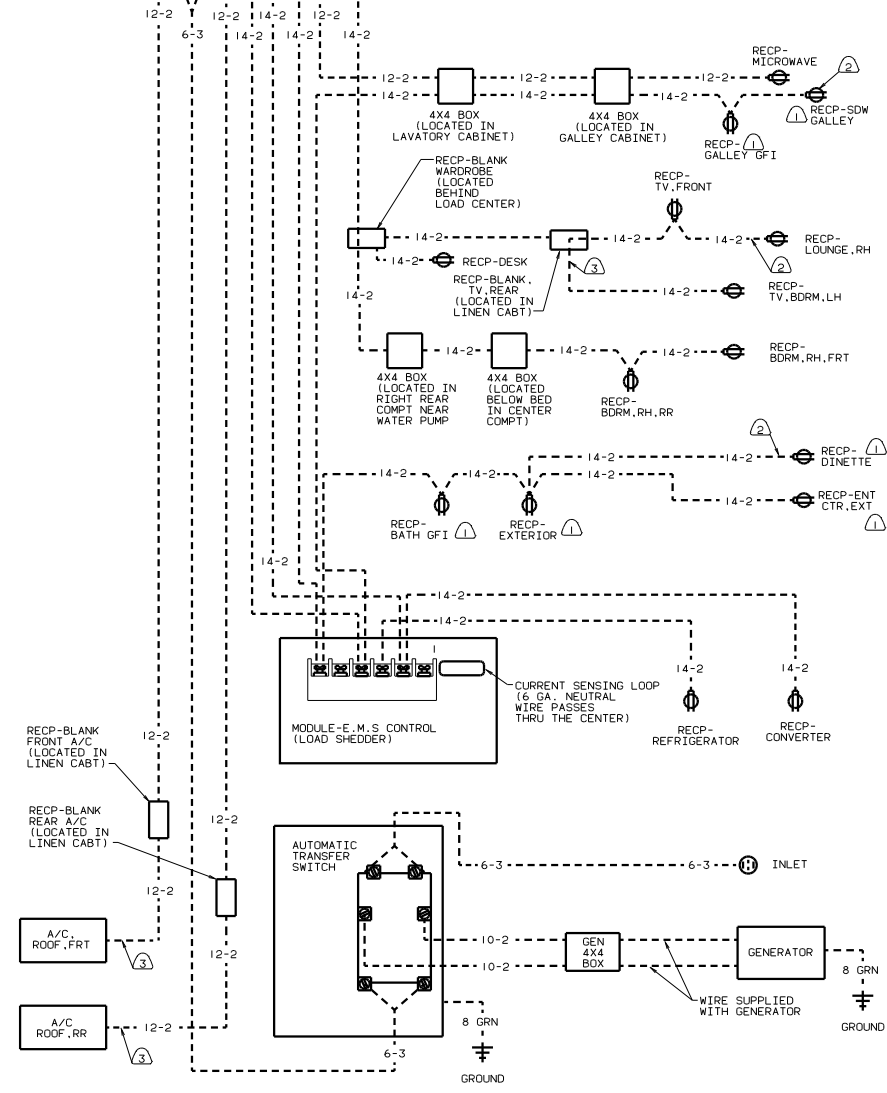
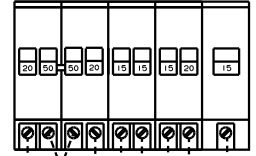
**Danger of electrical shock, burns or death.** Always remove all power sources before attempting any repair, service or diagnostic work. Power can be present from shore power, generator, inverter or battery. All power sources must be disabled and secured before performing any service.



**CAUTION**

If you lack the skills, tools or equipment to perform diagnostic or repair work leave such work to an authorized Winnebago Industries dealer or other qualified shop.

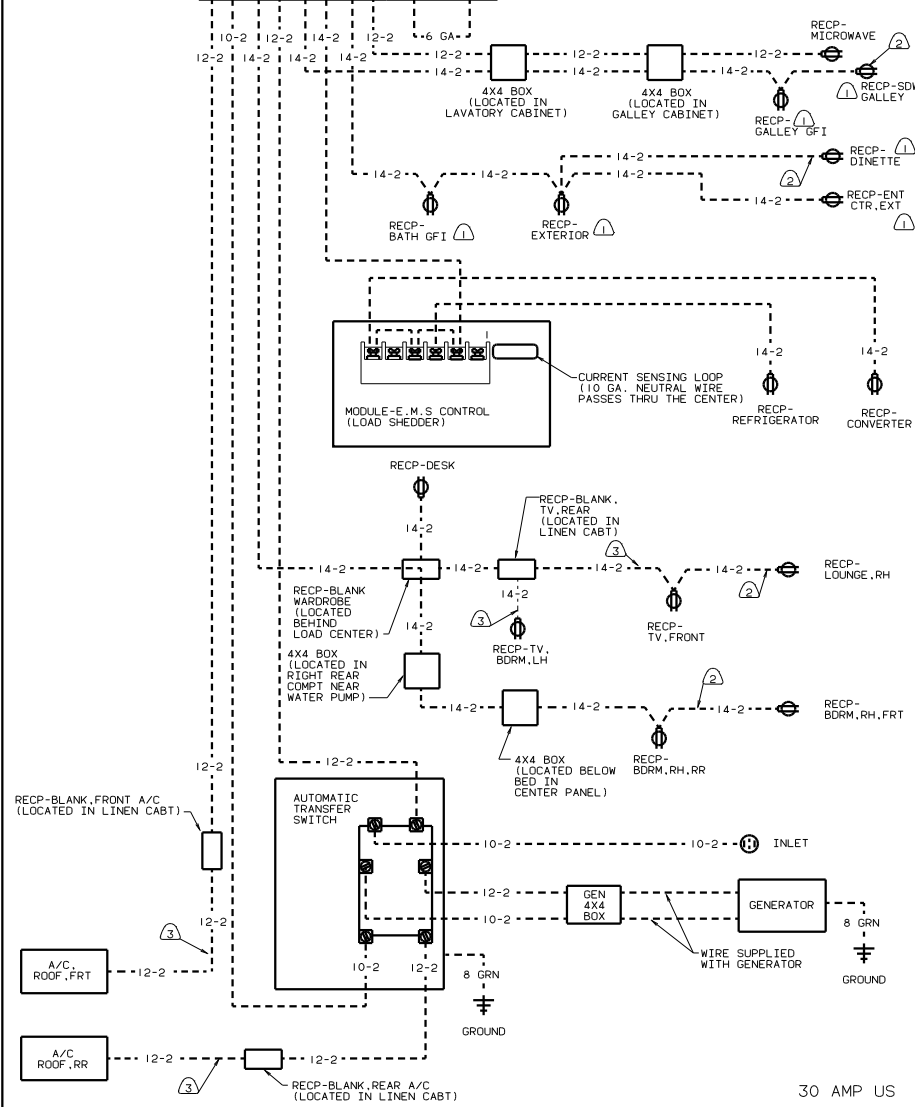
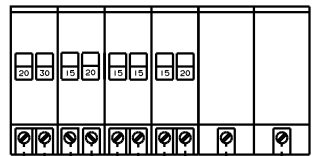
LOAD CENTER



- ③ WIRE ROUTED IN ROOF.
- ② WIRE ROUTED IN SIDEWALL.
- ⚠ PROTECTED BY GFI RECIP.

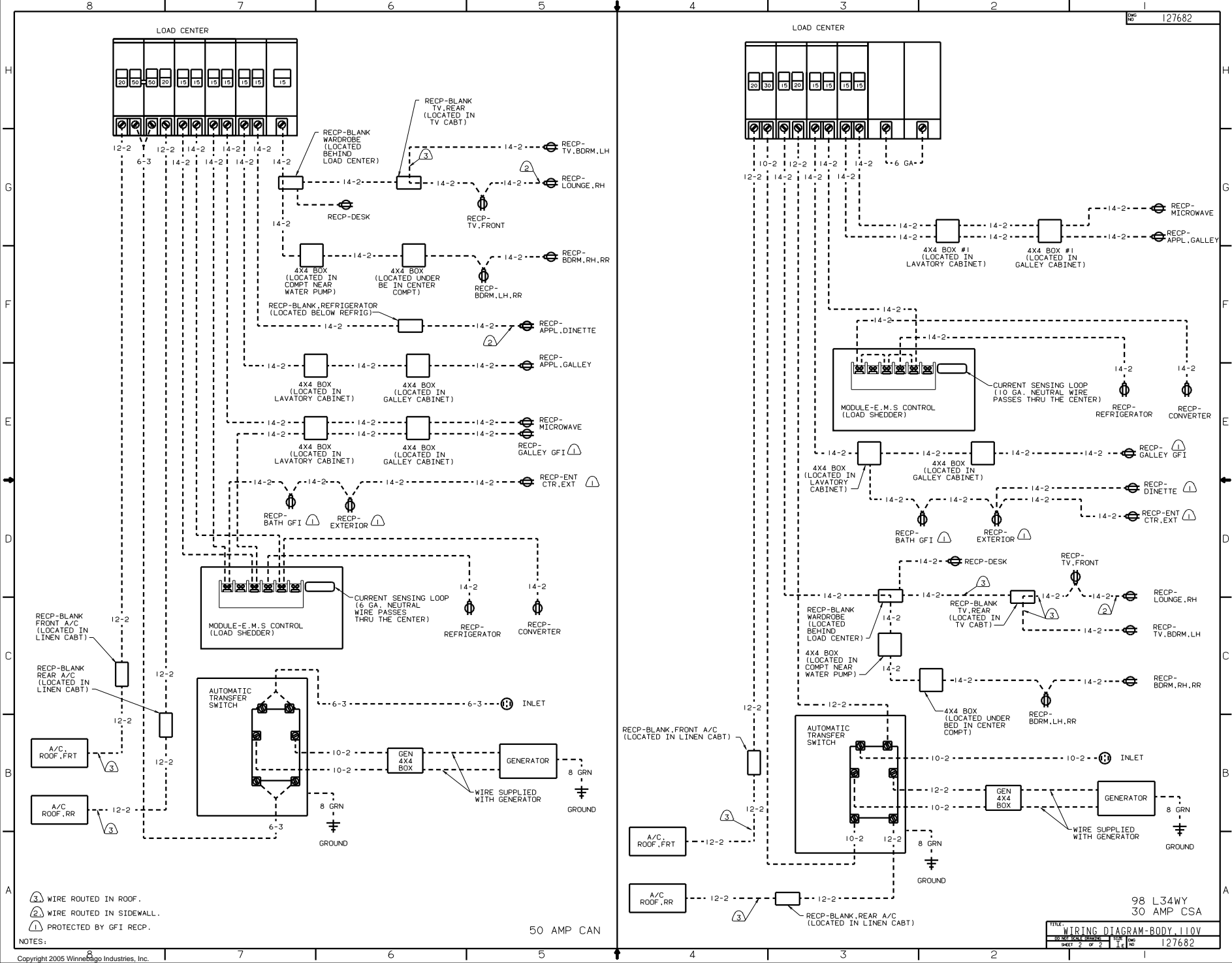
50 AMP US

LOAD CENTER



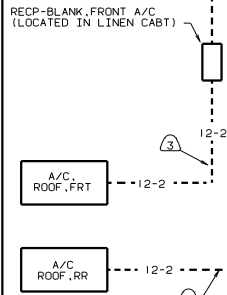
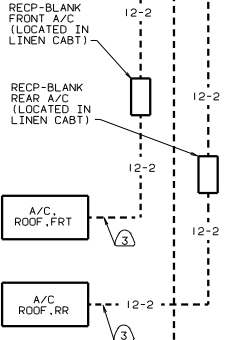
30 AMP US

WINNEBAGO		98 L34WY
DATE	UNSPECIFIED TOLERANCES ARE:	INVERTICAL
DATE	WHOLE DIM (IN)	
DATE	ONE-PLACE (IN.X)	
DATE	TWO-PLACE (IN.XXX)	
DATE	ANGLE	
DATE	THRU HOLE PROJECTION	
DATE		
DRAWING TITLE: WIRING DIAGRAM-BODY, 110V		
SHEET 1 OF 2	FIG. NO. 16	127682



LOAD CENTER

LOAD CENTER



- ③ WIRE ROUTED IN ROOF.
- ② WIRE ROUTED IN SIDEWALL.
- ⚠ PROTECTED BY GFI RECP.

50 AMP CAN