



DANGER

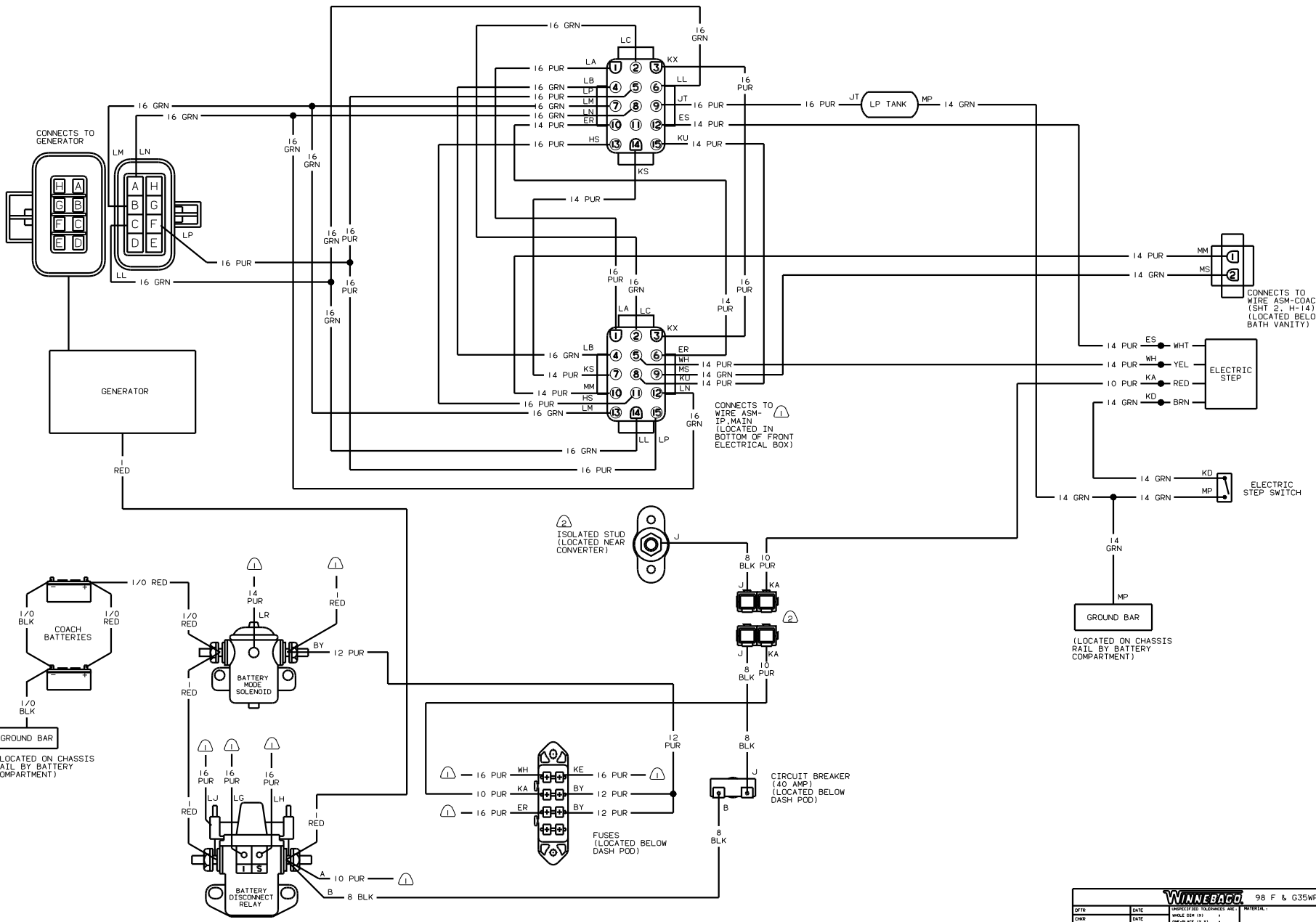
Danger of electrical shock, burns or death. Always remove all power sources before attempting any repair, service or diagnostic work. Power can be present from shore power, generator, inverter or battery. All power sources must be disabled and secured before performing any service.



CAUTION

If you lack the skills, tools or equipment to perform diagnostic or repair work leave such work to an authorized Winnebago Industries dealer or other qualified shop.

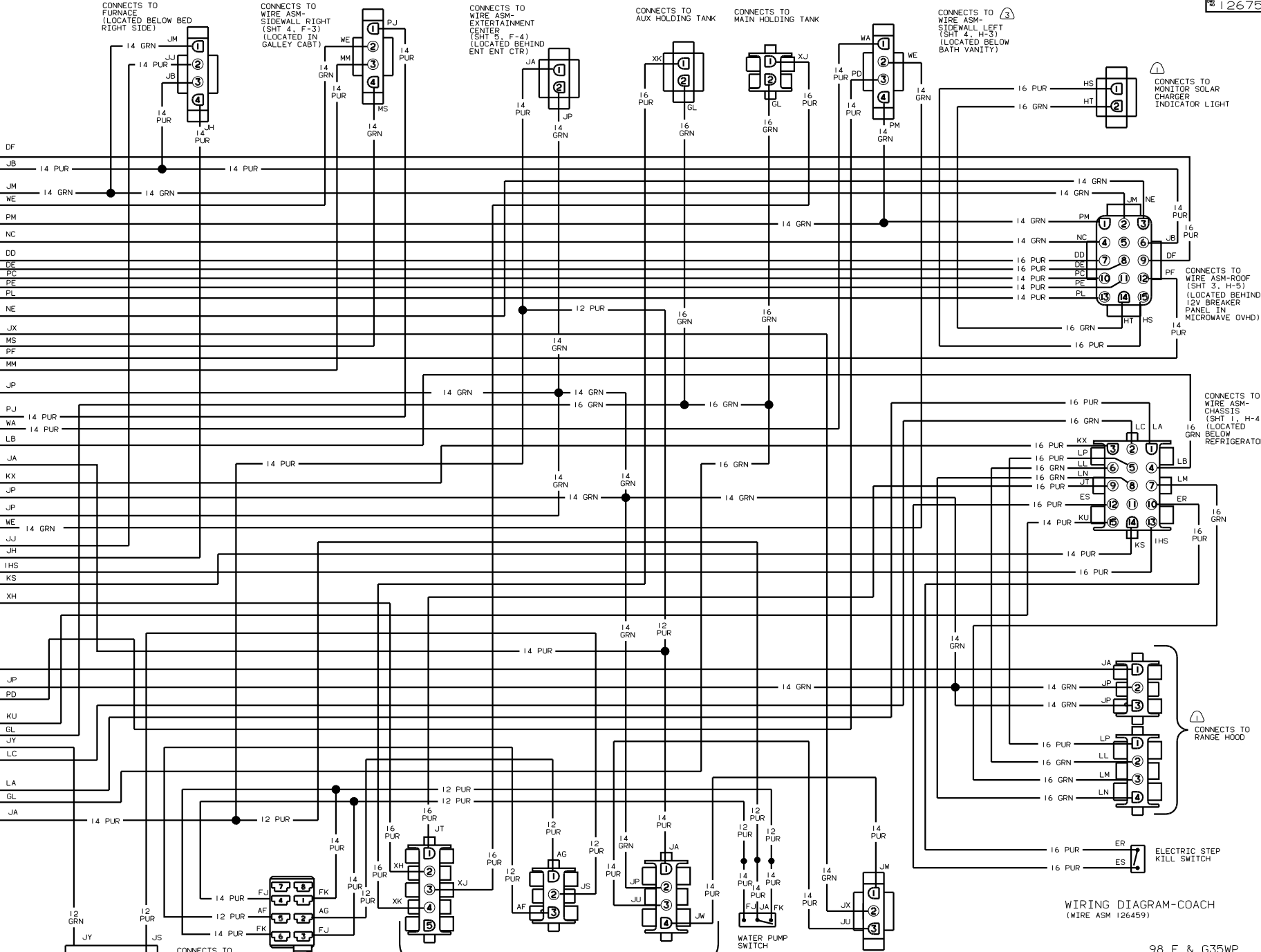
CONNECTS TO WIRE ASM-COACH (SHT 2, E-1) (LOCATED BASE OF REFRIGERATOR CAB)



② CONNECTION MADE IN FRONT ELECTRICAL BOX.
 ⚠ SEE WIRING DIAGRAM-AUTO FOR ADDITIONAL INFORMATION.

WIRING DIAGRAM-CHASSIS (WIRE ASM 126721)

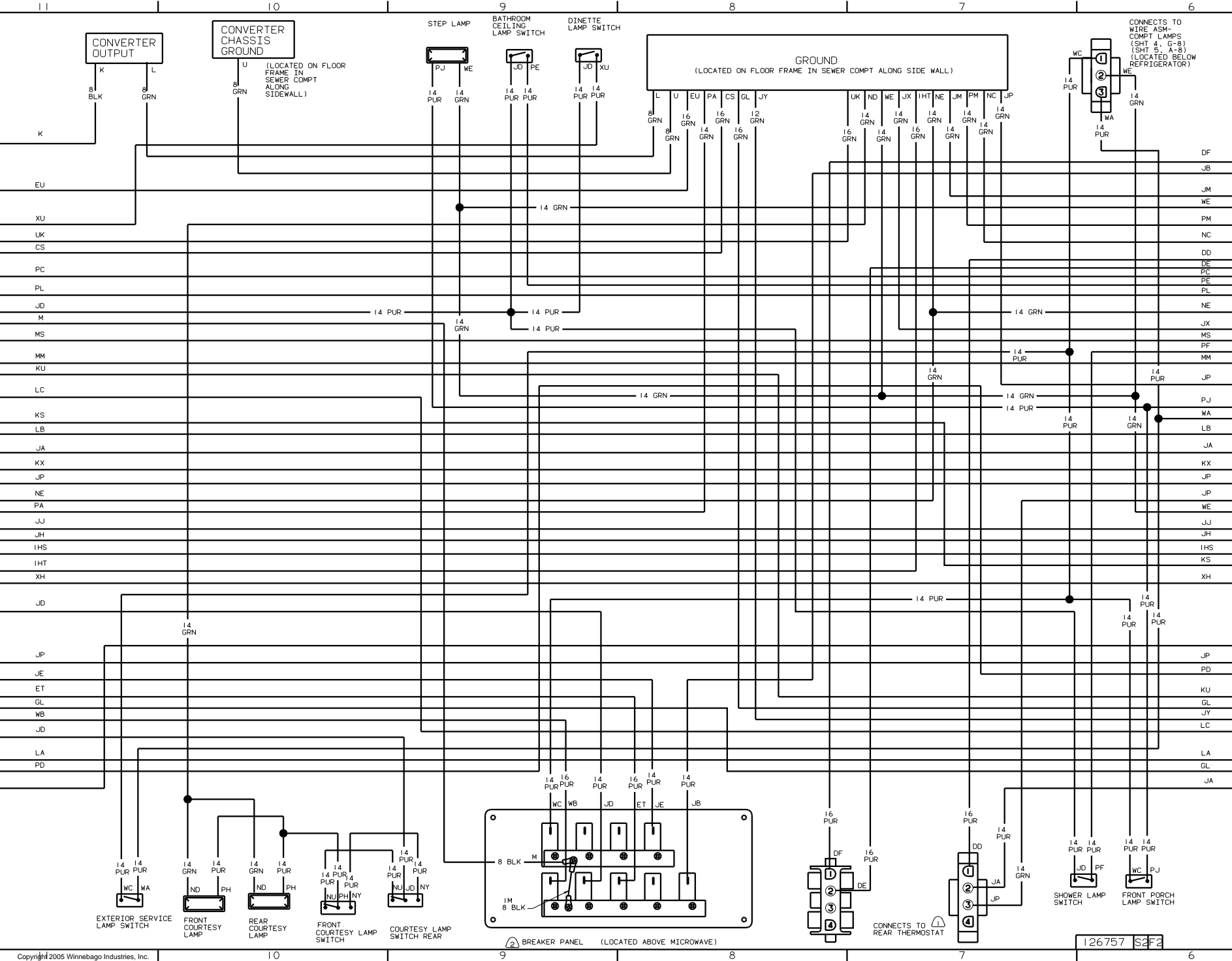
WINNEBAGO		98 F & G35WP	
OF IN	DATE	UNSPECIFIED TOLERANCES ARE:	MATERIAL
CHP	DATE	WHOLE OR .01	
PIE	DATE	ONE-PLACE OR .01	
D/E	DATE	TWO-PLACE OR .005	
DATE	DATE	THREE-PLACE OR .001	
DATE	DATE	FOUR-PLACE OR .0005	
DATE	DATE	FIVE-PLACE OR .0001	
DATE	DATE	SIX-PLACE OR .00005	
DATE	DATE	SEVEN-PLACE OR .00001	
DATE	DATE	EIGHT-PLACE OR .000005	
DATE	DATE	NINE-PLACE OR .000001	
DATE	DATE	TEN-PLACE OR .0000005	
DATE	DATE	ELEVEN-PLACE OR .0000001	
DATE	DATE	TWELVE-PLACE OR .00000005	
DATE	DATE	THIRTEEN-PLACE OR .00000001	
DATE	DATE	FOURTEEN-PLACE OR .000000005	
DATE	DATE	FIFTEEN-PLACE OR .000000001	
DATE	DATE	SIXTEEN-PLACE OR .0000000005	
DATE	DATE	SEVENTEEN-PLACE OR .0000000001	
DATE	DATE	EIGHTEEN-PLACE OR .00000000005	
DATE	DATE	NINETEEN-PLACE OR .00000000001	
DATE	DATE	TWENTY-PLACE OR .000000000005	
DATE	DATE	TWENTY-ONE PLACE OR .000000000001	
DATE	DATE	TWENTY-TWO PLACE OR .0000000000005	
DATE	DATE	TWENTY-THREE PLACE OR .0000000000001	
DATE	DATE	TWENTY-FOUR PLACE OR .00000000000005	
DATE	DATE	TWENTY-FIVE PLACE OR .00000000000001	
DATE	DATE	TWENTY-SIX PLACE OR .000000000000005	
DATE	DATE	TWENTY-SEVEN PLACE OR .000000000000001	
DATE	DATE	TWENTY-EIGHT PLACE OR .0000000000000005	
DATE	DATE	TWENTY-NINE PLACE OR .0000000000000001	
DATE	DATE	THIRTY PLACE OR .00000000000000005	
DATE	DATE	THIRTY-ONE PLACE OR .00000000000000001	
DATE	DATE	THIRTY-TWO PLACE OR .000000000000000005	
DATE	DATE	THIRTY-THREE PLACE OR .000000000000000001	
DATE	DATE	THIRTY-FOUR PLACE OR .0000000000000000005	
DATE	DATE	THIRTY-FIVE PLACE OR .0000000000000000001	
DATE	DATE	THIRTY-SIX PLACE OR .00000000000000000005	
DATE	DATE	THIRTY-SEVEN PLACE OR .00000000000000000001	
DATE	DATE	THIRTY-EIGHT PLACE OR .000000000000000000005	
DATE	DATE	THIRTY-NINE PLACE OR .000000000000000000001	
DATE	DATE	FOURTY PLACE OR .0000000000000000000005	
DATE	DATE	FOURTY-ONE PLACE OR .0000000000000000000001	
DATE	DATE	FOURTY-TWO PLACE OR .00000000000000000000005	
DATE	DATE	FOURTY-THREE PLACE OR .00000000000000000000001	
DATE	DATE	FOURTY-FOUR PLACE OR .000000000000000000000005	
DATE	DATE	FOURTY-FIVE PLACE OR .000000000000000000000001	
DATE	DATE	FOURTY-SIX PLACE OR .0000000000000000000000005	
DATE	DATE	FOURTY-SEVEN PLACE OR .0000000000000000000000001	
DATE	DATE	FOURTY-EIGHT PLACE OR .00000000000000000000000005	
DATE	DATE	FOURTY-NINE PLACE OR .00000000000000000000000001	
DATE	DATE	FIFTY PLACE OR .000000000000000000000000005	
DATE	DATE	FIFTY-ONE PLACE OR .000000000000000000000000001	
DATE	DATE	FIFTY-TWO PLACE OR .0000000000000000000000000005	
DATE	DATE	FIFTY-THREE PLACE OR .0000000000000000000000000001	
DATE	DATE	FIFTY-FOUR PLACE OR .00000000000000000000000000005	
DATE	DATE	FIFTY-FIVE PLACE OR .00000000000000000000000000001	
DATE	DATE	FIFTY-SIX PLACE OR .000000000000000000000000000005	
DATE	DATE	FIFTY-SEVEN PLACE OR .000000000000000000000000000001	
DATE	DATE	FIFTY-EIGHT PLACE OR .0000000000000000000000000000005	
DATE	DATE	FIFTY-NINE PLACE OR .0000000000000000000000000000001	
DATE	DATE	SIXTY PLACE OR .00000000000000000000000000000005	
DATE	DATE	SIXTY-ONE PLACE OR .00000000000000000000000000000001	
DATE	DATE	SIXTY-TWO PLACE OR .000000000000000000000000000000005	
DATE	DATE	SIXTY-THREE PLACE OR .000000000000000000000000000000001	
DATE	DATE	SIXTY-FOUR PLACE OR .0000000000000000000000000000000005	
DATE	DATE	SIXTY-FIVE PLACE OR .0000000000000000000000000000000001	
DATE	DATE	SIXTY-SIX PLACE OR .00000000000000000000000000000000005	
DATE	DATE	SIXTY-SEVEN PLACE OR .00000000000000000000000000000000001	
DATE	DATE	SIXTY-EIGHT PLACE OR .000000000000000000000000000000000005	
DATE	DATE	SIXTY-NINE PLACE OR .000000000000000000000000000000000001	
DATE	DATE	SEVENTY PLACE OR .0000000000000000000000000000000000005	
DATE	DATE	SEVENTY-ONE PLACE OR .0000000000000000000000000000000000001	
DATE	DATE	SEVENTY-TWO PLACE OR .00000000000000000000000000000000000005	
DATE	DATE	SEVENTY-THREE PLACE OR .00000000000000000000000000000000000001	
DATE	DATE	SEVENTY-FOUR PLACE OR .000000000000000000000000000000000000005	
DATE	DATE	SEVENTY-FIVE PLACE OR .000000000000000000000000000000000000001	
DATE	DATE	SEVENTY-SIX PLACE OR .0000000000000000000000000000000000000005	
DATE	DATE	SEVENTY-SEVEN PLACE OR .0000000000000000000000000000000000000001	
DATE	DATE	SEVENTY-EIGHT PLACE OR .00000000000000000000000000000000000000005	
DATE	DATE	SEVENTY-NINE PLACE OR .00000000000000000000000000000000000000001	
DATE	DATE	EIGHTY PLACE OR .000000000000000000000000000000000000000005	
DATE	DATE	EIGHTY-ONE PLACE OR .000000000000000000000000000000000000000001	
DATE	DATE	EIGHTY-TWO PLACE OR .0000000000000000000000000000000000000000005	
DATE	DATE	EIGHTY-THREE PLACE OR .0000000000000000000000000000000000000000001	
DATE	DATE	EIGHTY-FOUR PLACE OR .00000000000000000000000000000000000000000005	
DATE	DATE	EIGHTY-FIVE PLACE OR .00000000000000000000000000000000000000000001	
DATE	DATE	EIGHTY-SIX PLACE OR .000000000000000000000000000000000000000000005	
DATE	DATE	EIGHTY-SEVEN PLACE OR .000000000000000000000000000000000000000000001	
DATE	DATE	EIGHTY-EIGHT PLACE OR .0000000000000000000000000000000000000000000005	
DATE	DATE	EIGHTY-NINE PLACE OR .0000000000000000000000000000000000000000000001	
DATE	DATE	NINETY PLACE OR .00000000000000000000000000000000000000000000005	
DATE	DATE	NINETY-ONE PLACE OR .00000000000000000000000000000000000000000000001	
DATE	DATE	NINETY-TWO PLACE OR .000000000000000000000000000000000000000000000005	
DATE	DATE	NINETY-THREE PLACE OR .000000000000000000000000000000000000000000000001	
DATE	DATE	NINETY-FOUR PLACE OR .0000000000000000000000000000000000000000000000005	
DATE	DATE	NINETY-FIVE PLACE OR .0000000000000000000000000000000000000000000000001	
DATE	DATE	NINETY-SIX PLACE OR .00000000000000000000000000000000000000000000000005	
DATE	DATE	NINETY-SEVEN PLACE OR .00000000000000000000000000000000000000000000000001	
DATE	DATE	NINETY-EIGHT PLACE OR .000000000000000000000000000000000000000000000000005	
DATE	DATE	NINETY-NINE PLACE OR .000000000000000000000000000000000000000000000000001	
DATE	DATE	HUNDRED PLACE OR .0000000000000000000000000000000000000000000000000005	

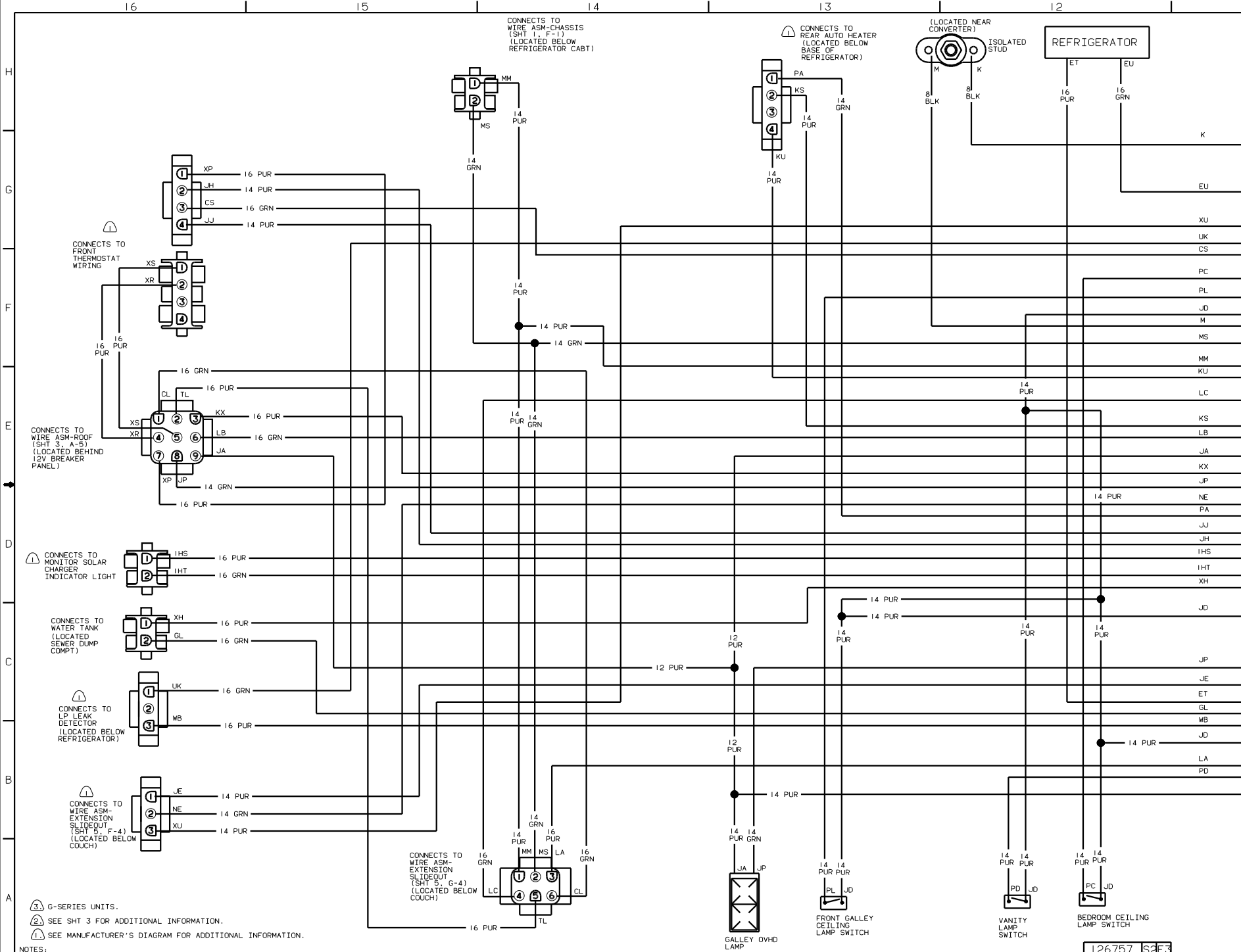


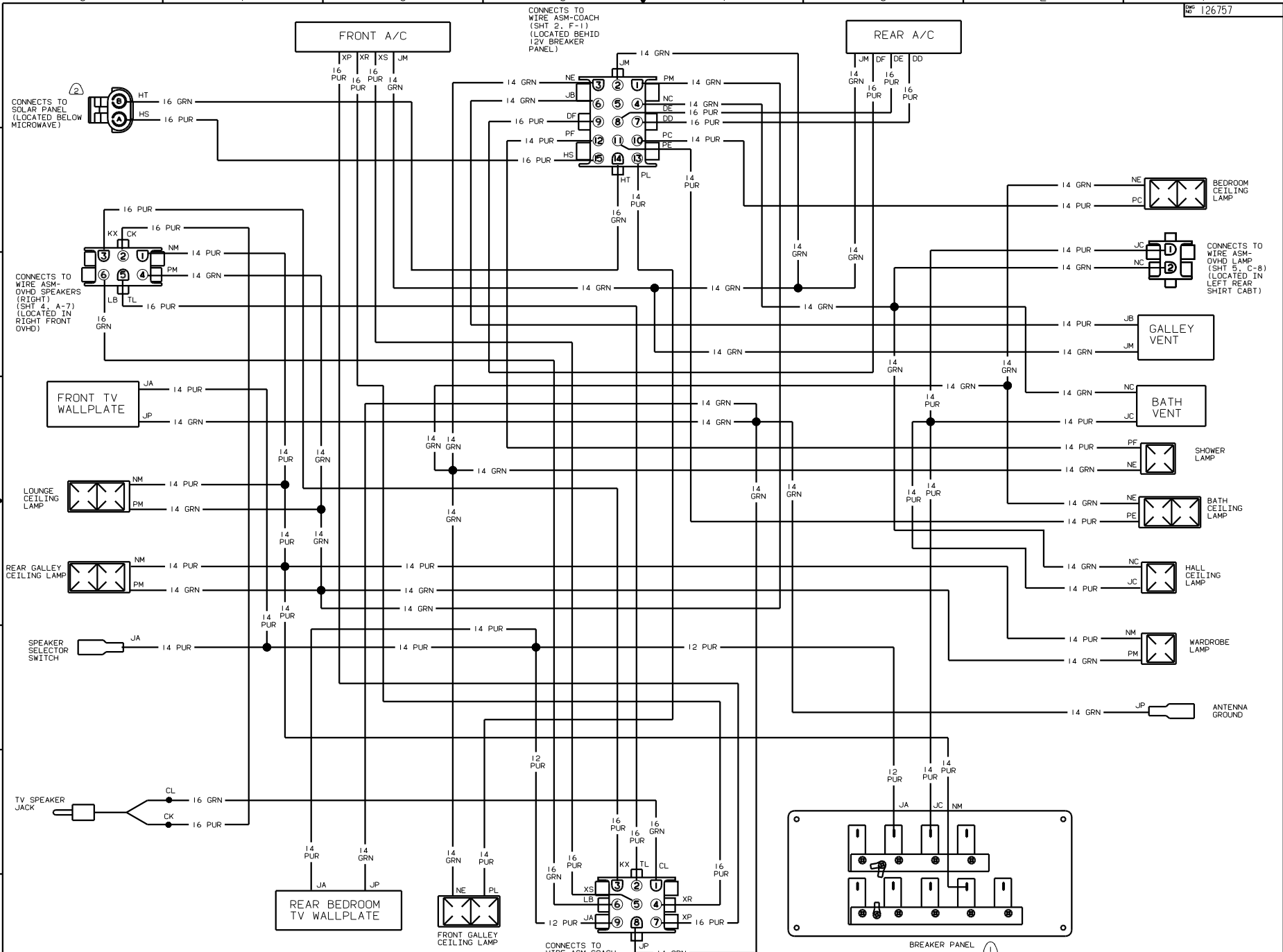
WIRING DIAGRAM-COACH (WIRE ASM 126459)

98 F & G35WP

TITLE: WIRING DIAGRAM-BODY.12V	
NO. OF SHEETS: 5	TOTAL NO. SHEETS: 5
PAGE: 2 OF 5	
REV: 126757	







Ⓜ SEE MANUFACTURER'S DIAGRAM FOR ADDITIONAL INFORMATION.
 Ⓜ SEE SHT 2 FOR ADDITIONAL INFORMATION.

NOTES:

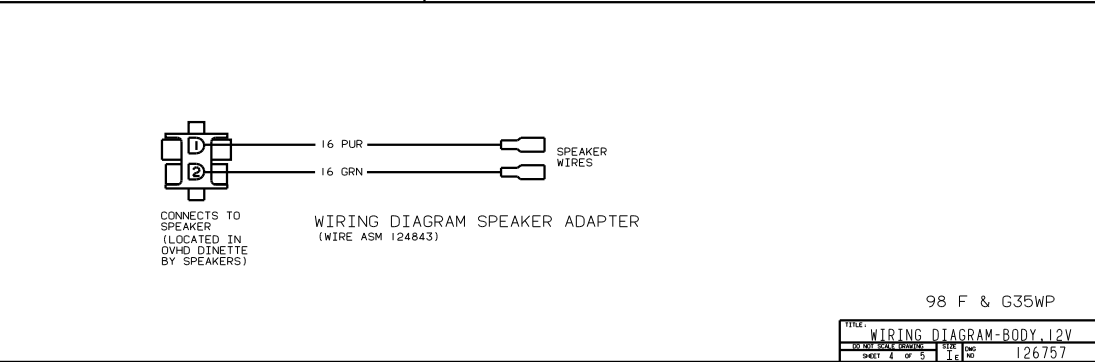
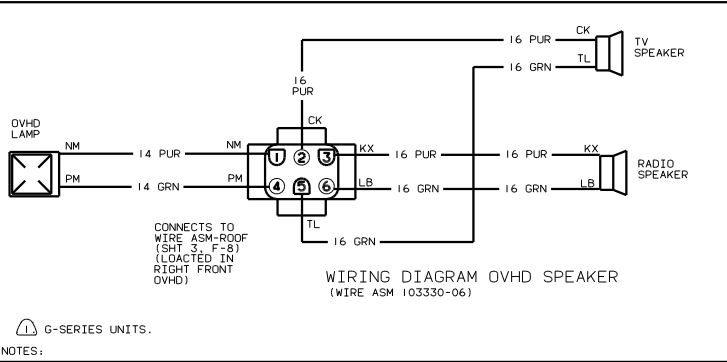
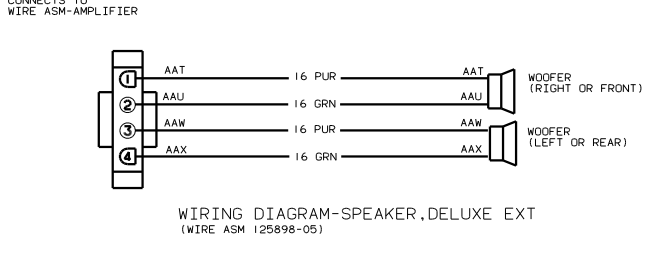
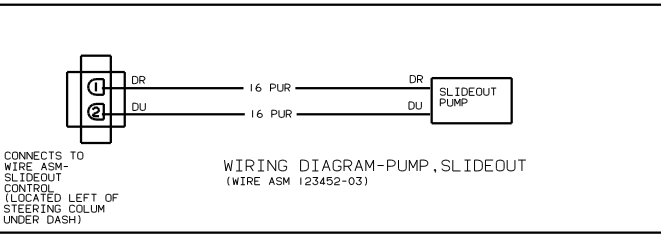
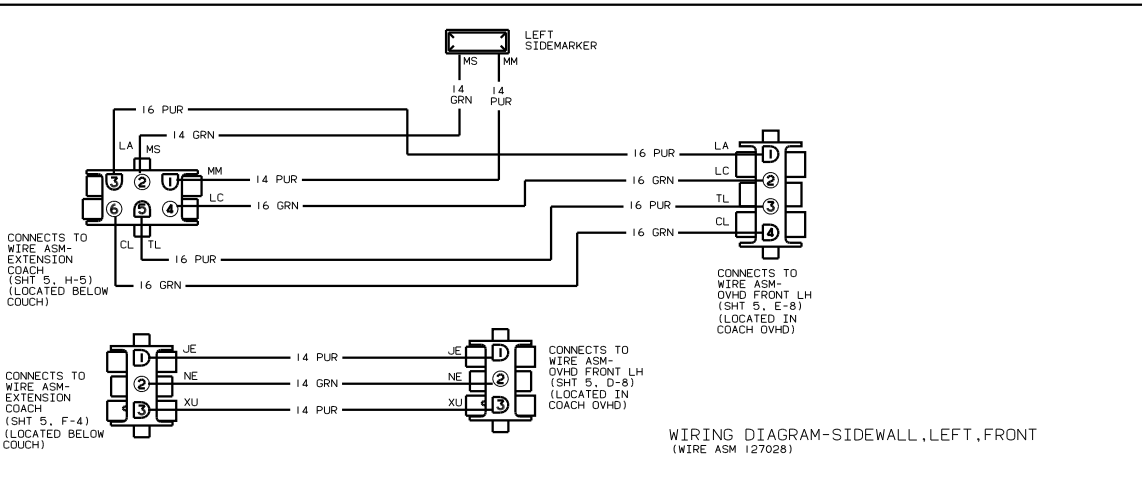
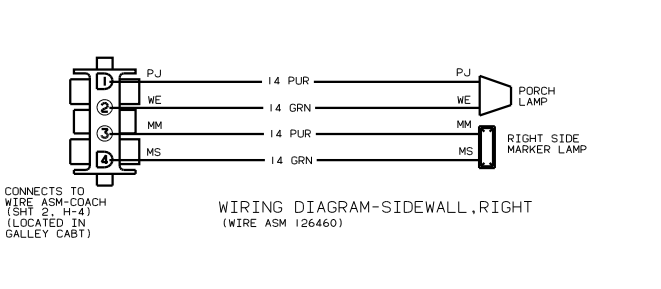
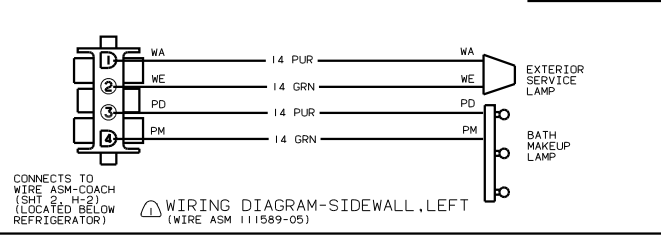
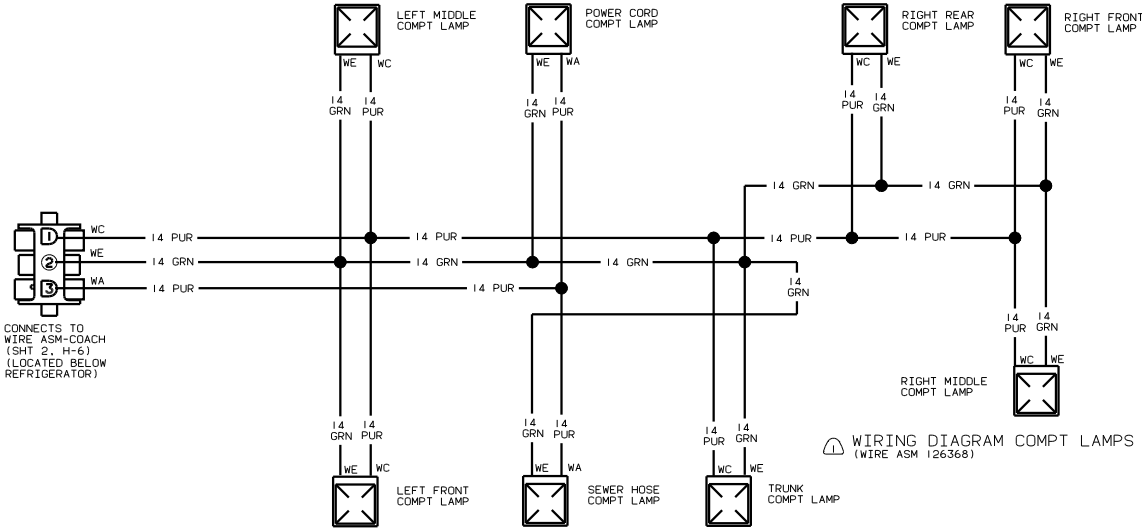
CONNECTS TO WIRE ASM-COACH (SHT 2, F-1) (LOCATED BEHIND 12V BREAKER PANEL)

CONNECTS TO WIRE ASM-COACH (SHT 2, E-16) (LOCATED BEHIND 12V BREAKER PANEL)

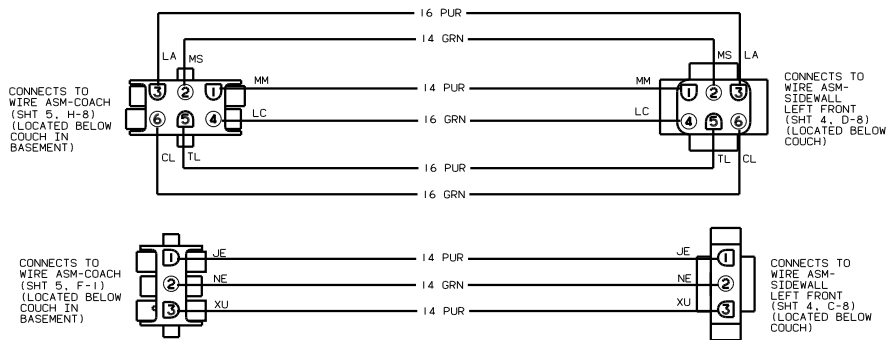
BREAKER PANEL

WIRING DIAGRAM ROOF
(WIRE ASM 126367)

TITLE: WIRING DIAGRAM-BODY_12V		98 F & G35WP	
NO. OF SHEETS: 3	SHEET NO: 3	REV. NO: 1	REV. DATE: 126757



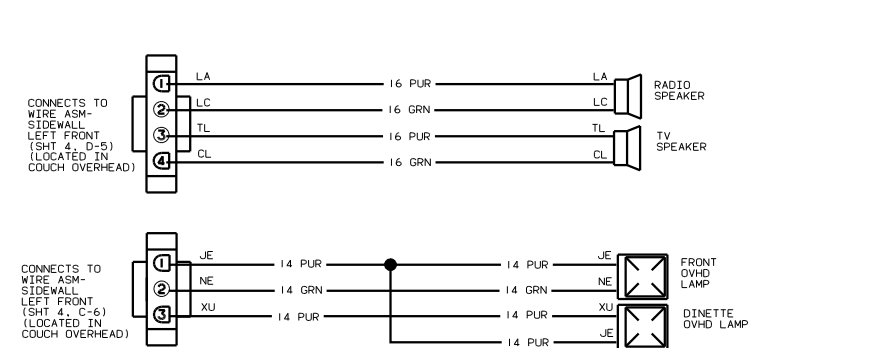
NOTES:
① G-SERIES UNITS.



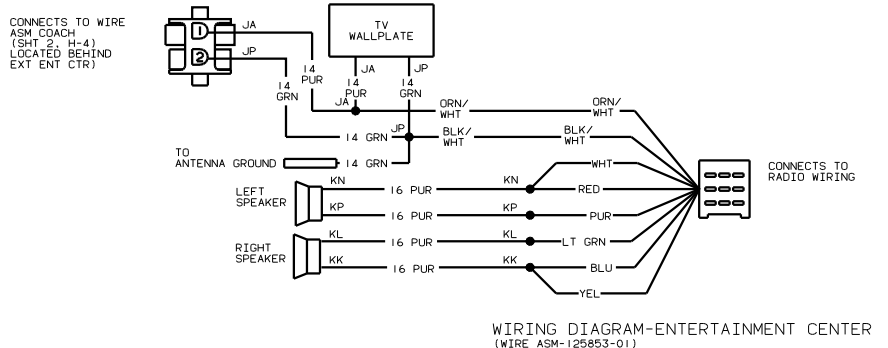
② WIRING DIAGRAM-EXTENSION, COACH (WIRE ASM 127026)



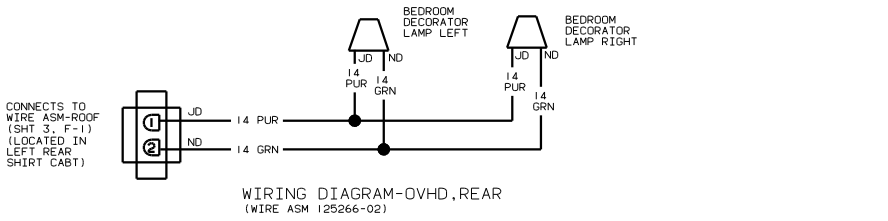
① WIRING DIAGRAM-EXTENSION, SLIDEOUT (WIRE ASM 115818-02)



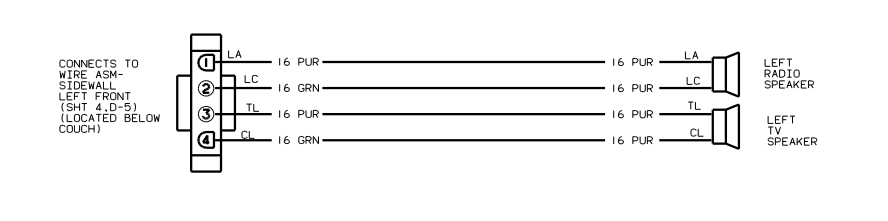
WIRING DIAGRAM-FRONT, LH (WIRE ASM 127027)



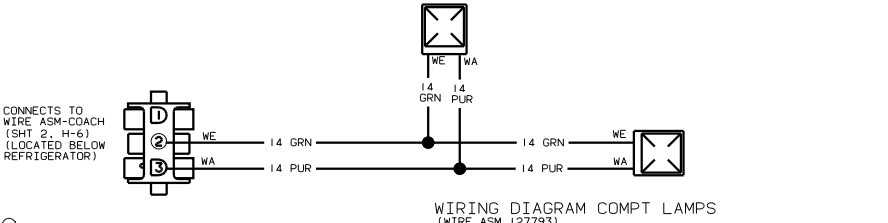
WIRING DIAGRAM-ENTERTAINMENT CENTER (WIRE ASM-125853-01) (WITH EXTERIOR ENTERTAINMENT CENTER)



WIRING DIAGRAM-OVHD, REAR (WIRE ASM 125266-02)



WIRING DIAGRAM-OVHD, FRONT, LH (WIRE ASM 127733-01)



WIRING DIAGRAM COMPT LAMPS (WIRE ASM 127793)

② NON-SLIDEOUT UNITS.
① SLIDEOUT UNITS.