



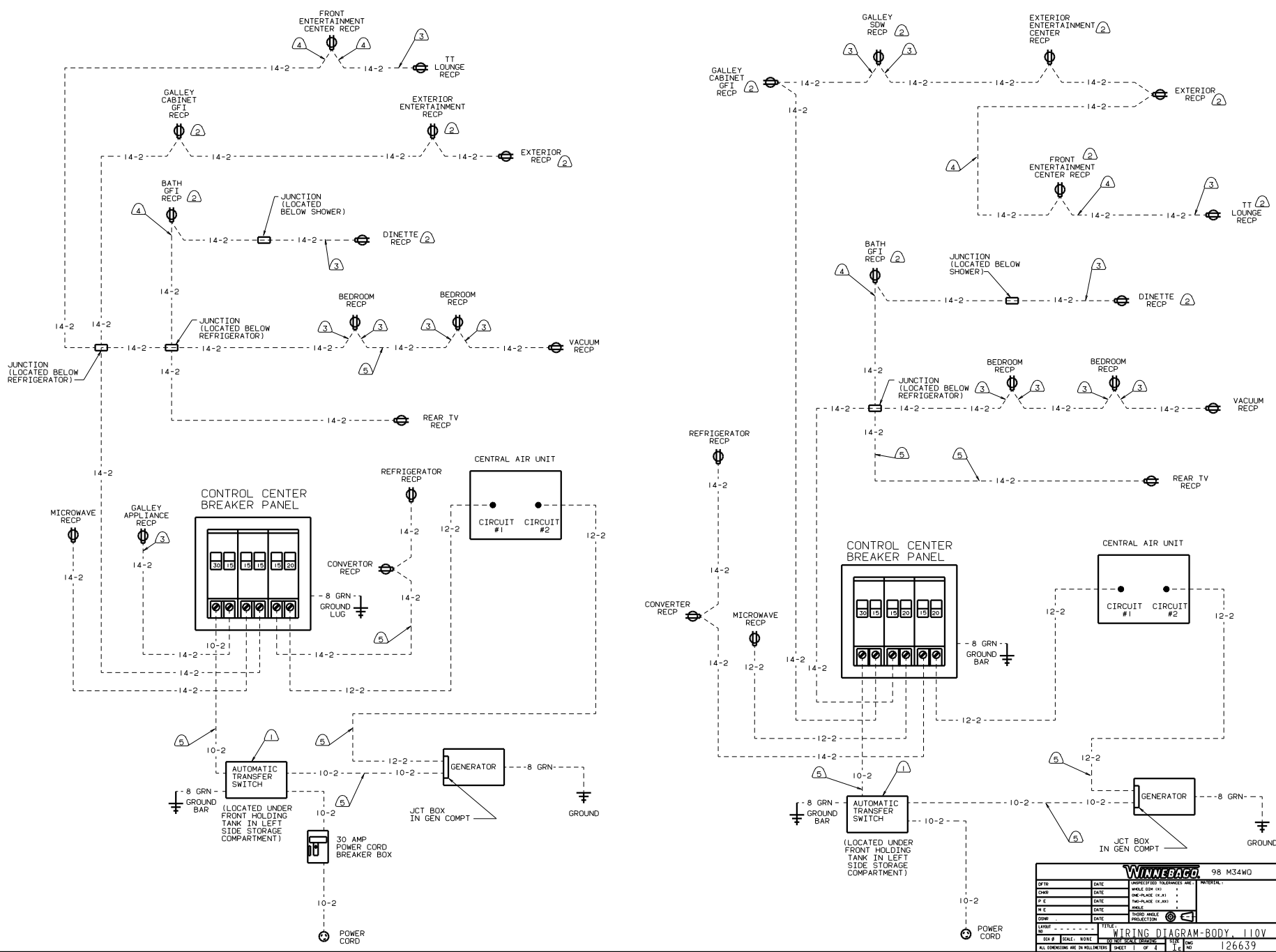
DANGER

Danger of electrical shock, burns or death. Always remove all power sources before attempting any repair, service or diagnostic work. Power can be present from shore power, generator, inverter or battery. All power sources must be disabled and secured before performing any service.

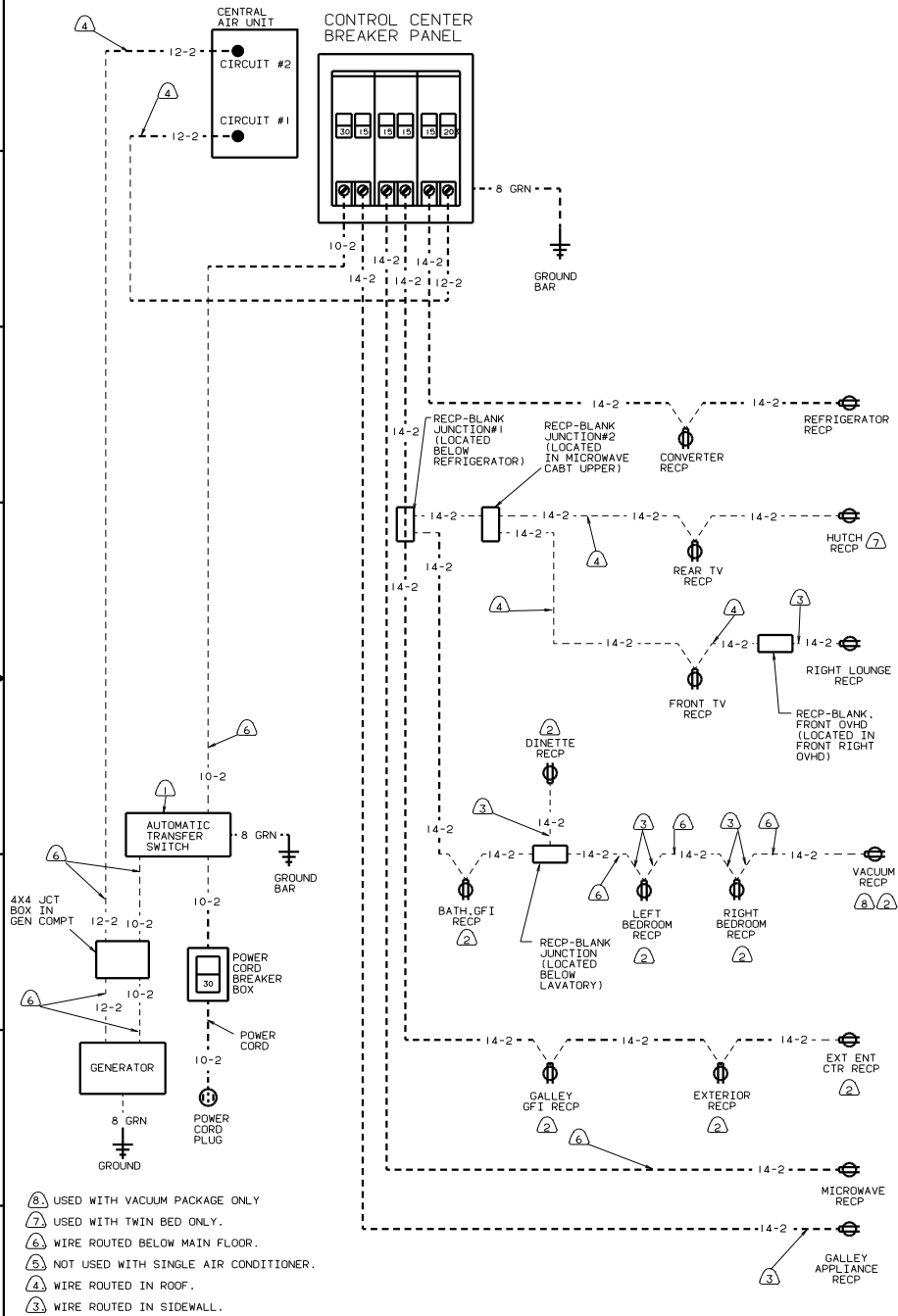


CAUTION

If you lack the skills, tools or equipment to perform diagnostic or repair work leave such work to an authorized Winnebago Industries dealer or other qualified shop.

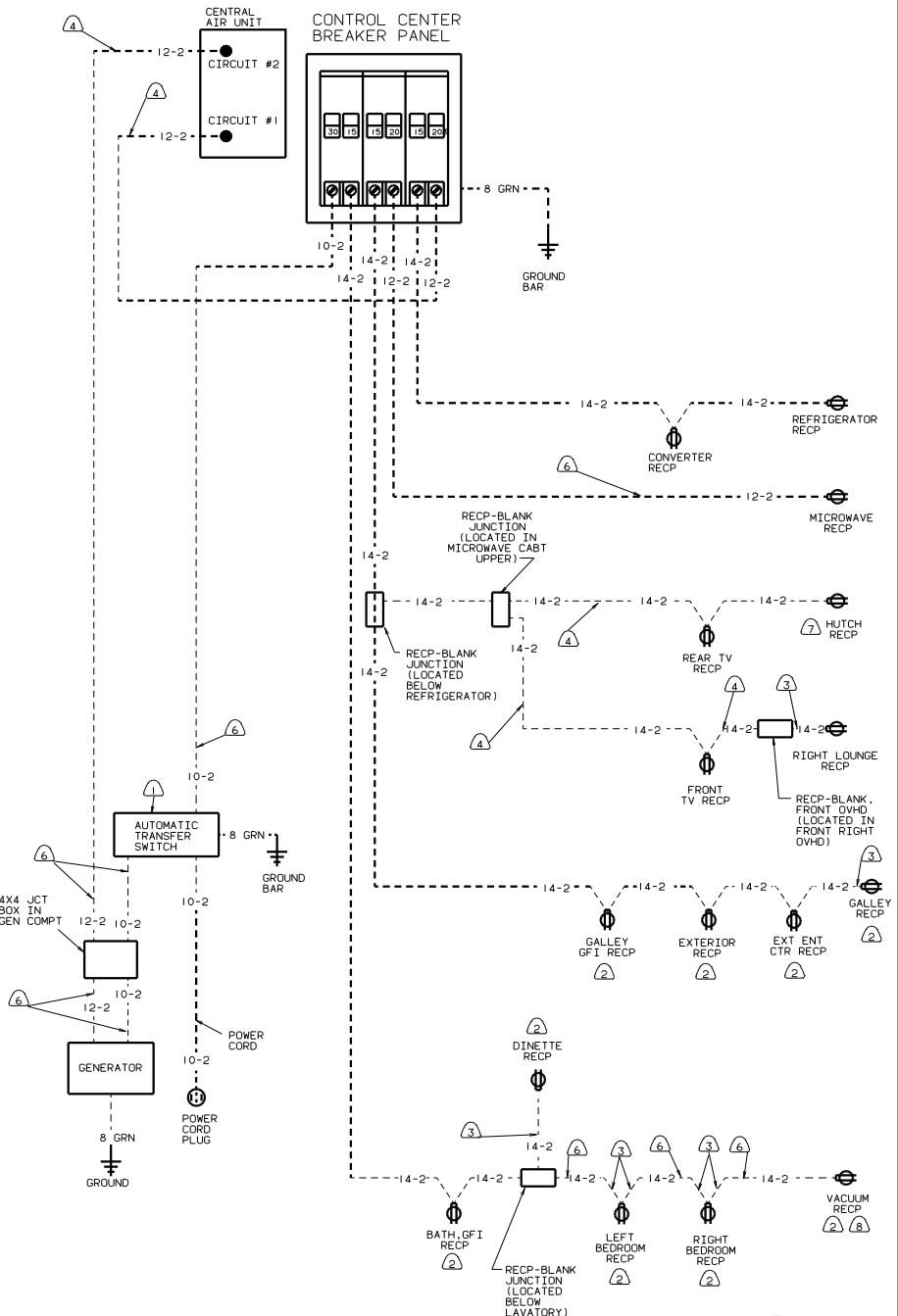


		98 M34W0
QTY IN	DATE	UNSPECIFIED TOLERANCES ARE MATERIAL
CHP	DATE	WELD DIM 1/16"
DR	DATE	ONE-PLACE 1/8, 1/16"
D/E	DATE	TWO-PLACE 1/8, 1/16"
CON	DATE	ANGLE
DATE	DATE	INDIC. W/ANGLE PROJECTION
DRAWN BY: _____ TITLE: _____ CHECKED BY: _____ DATE: _____		WIRING DIAGRAM-BODY, 110V SHEET 1 OF 4 126639



- (8) USED WITH VACUUM PACKAGE ONLY
- (7) USED WITH TWIN BED ONLY.
- (6) WIRE ROUTED BELOW MAIN FLOOR.
- (5) NOT USED WITH SINGLE AIR CONDITIONER.
- (4) WIRE ROUTED IN ROOF.
- (3) WIRE ROUTED IN SIDEWALL.
- (2) PROTECTED BY GROUND FAULT INTERRUPTER RECP.
- (1) SEE MANUFACTURER'S WIRING DIAGRAM FOR ADDITIONAL INFORMATION

(CAN 30A 110V)

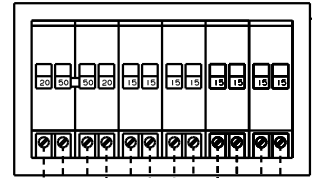


(US 30A 110V)

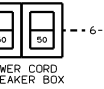
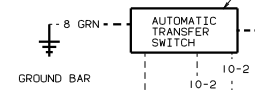
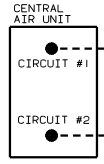
98 M34WQ

TITLE		WIRING DIAGRAM-BODY_110V	
NO. OF SHEETS	DATE	REV.	DATE
2 OF 4		1	
SHEET NO.		126639	

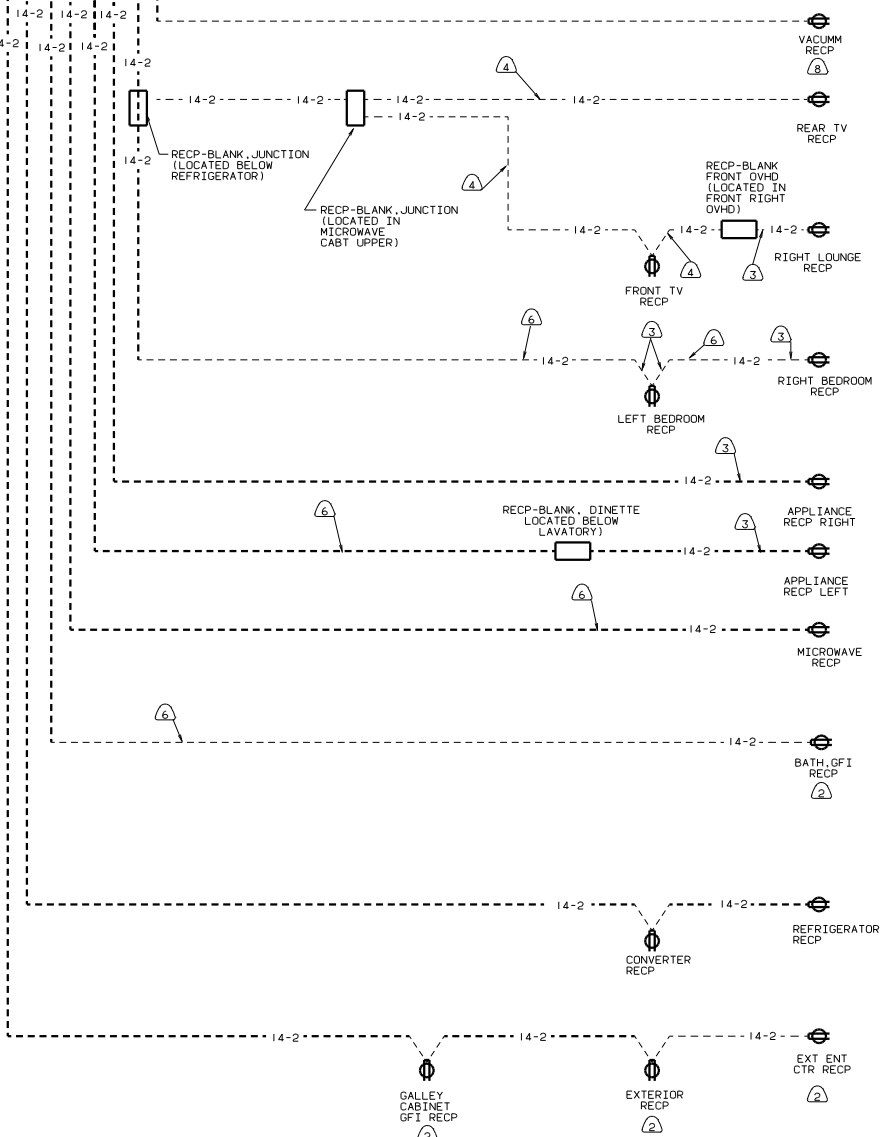
CONTROL CENTER BREAKER PANEL



GROUND BAR



- NOTES:
- ⑧ USED WITH VACUUM OPTION
 - ⑦ USED WITH TWIN BED ONLY.
 - ⑥ WIRE ROUTED BELOW MAIN FLOOR.
 - ⑤ NOT USED WITH SINGLE AIR CONDITIONER.
 - ④ WIRE ROUTED IN ROOF.
 - ③ WIRE ROUTED IN SIDEWALL.
 - ② PROTECTED BY GROUND FAULT INTERRUPTER RECP.
 - ① SEE MANUFACTURER'S WIRING DIAGRAM FOR ADDITIONAL INFORMATION



(CAN 50A 110V)

98 M34WQ

TITLE		WIRING DIAGRAM-BODY_110V	
NO. OF SHEETS	4	SHEET NO.	4
DATE		REV.	
126639		126639	