



DANGER

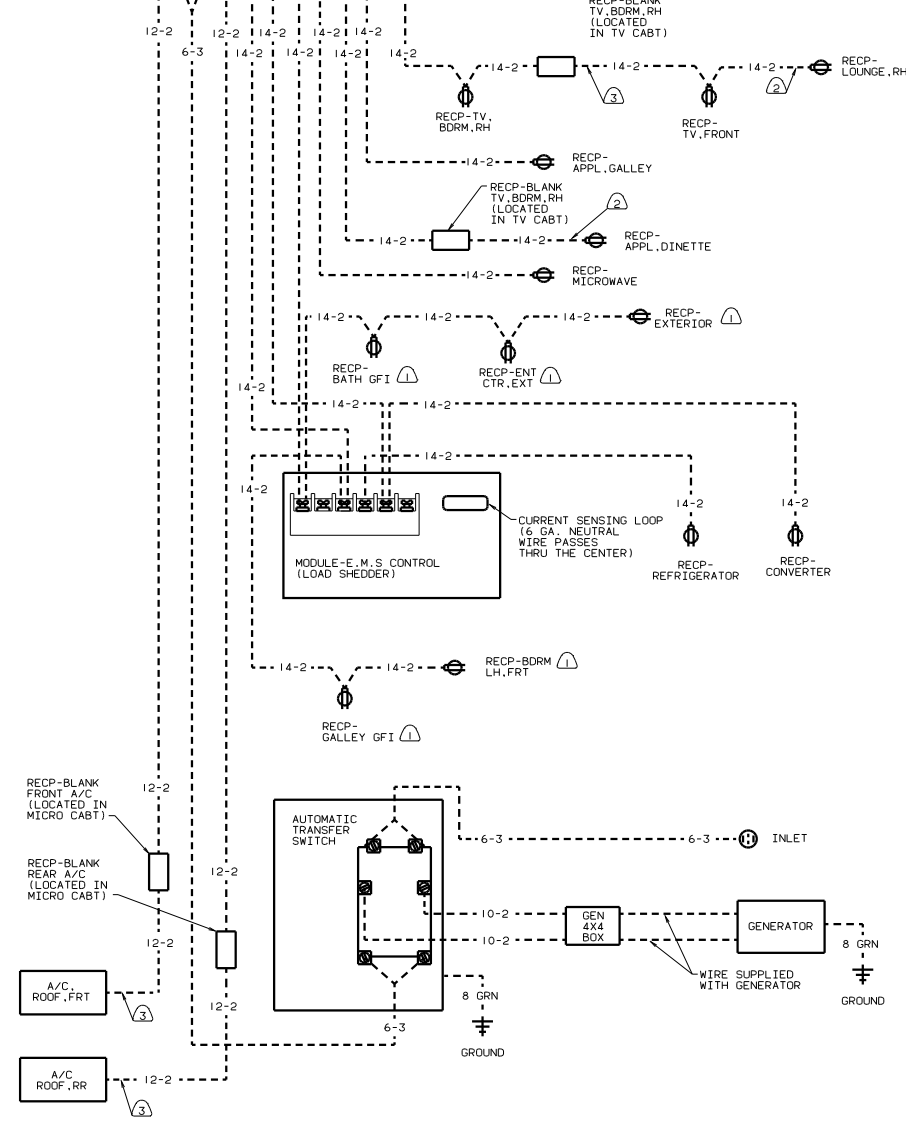
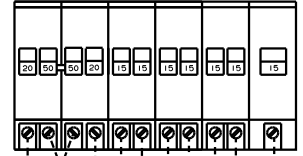
Danger of electrical shock, burns or death. Always remove all power sources before attempting any repair, service or diagnostic work. Power can be present from shore power, generator, inverter or battery. All power sources must be disabled and secured before performing any service.



CAUTION

If you lack the skills, tools or equipment to perform diagnostic or repair work leave such work to an authorized Winnebago Industries dealer or other qualified shop.

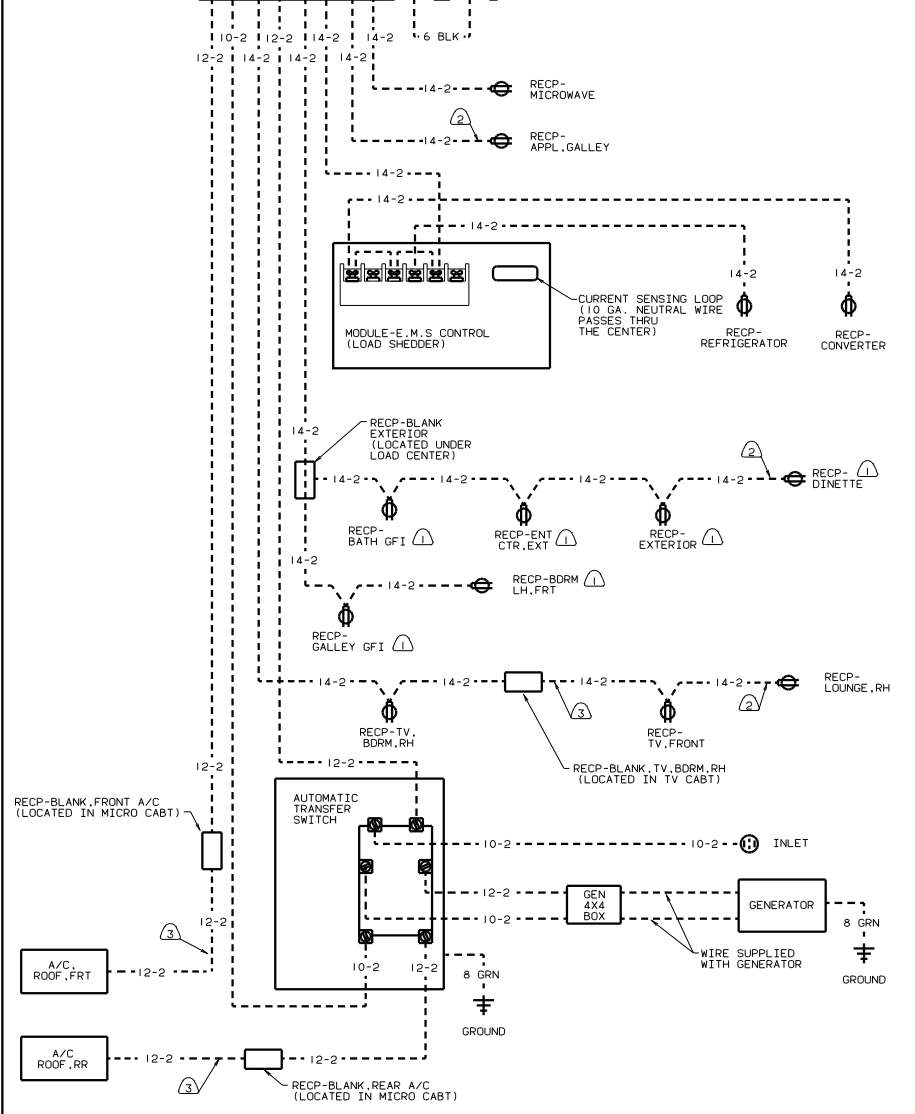
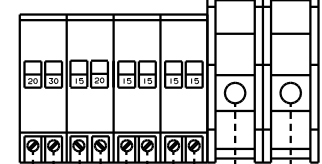
LOAD CENTER



- ③ WIRE ROUTED THRU ROOF.
- ② WIRE ROUTED IN SIDEWALL.
- ⚠ PROTECTED BY GFI RECP.

50 AMP CAN

LOAD CENTER



TITLE		WIRING DIAGRAM-BODY 110V	
NO. OF SHEETS	TOTAL SHEETS	DATE	REV.
2	2		1

98 L35WA
30 AMP CAN