



DANGER

Danger of electrical shock, burns or death. Always remove all power sources before attempting any repair, service or diagnostic work. Power can be present from shore power, generator, inverter or battery. All power sources must be disabled and secured before performing any service.

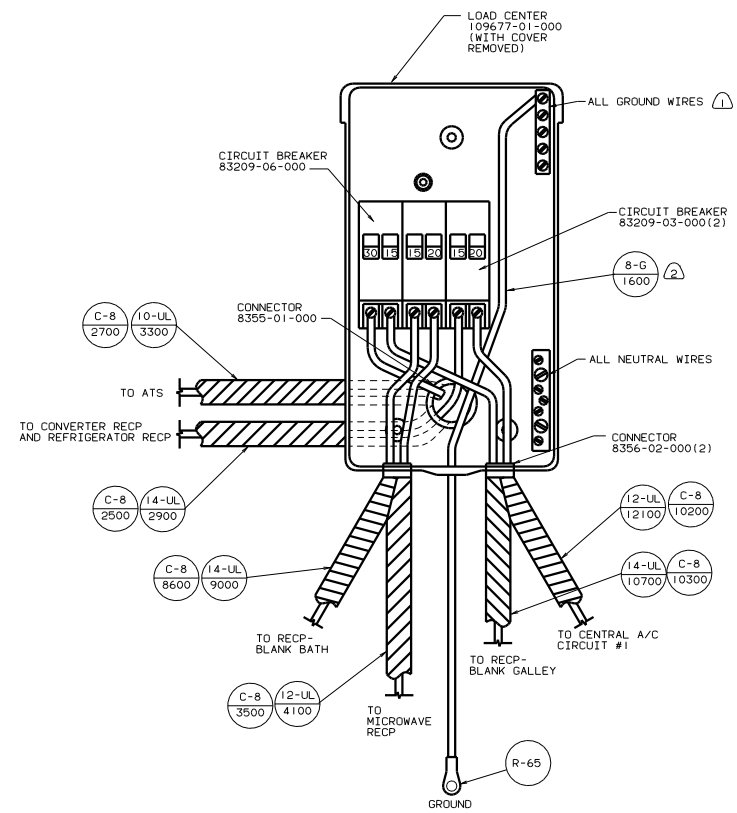


CAUTION

If you lack the skills, tools or equipment to perform diagnostic or repair work leave such work to an authorized Winnebago Industries dealer or other qualified shop.

30	15	15	20	15	20
MAIN	RECEPTACLE	RECEPTACLE	MICROWAVE	REFRIG/CONV	A/C

INSTALL LABEL ON BACK SIDE OF CABINET ACCESS DOOR.
 LABEL 95721-04-000



Ⓜ WIRE W/O TERMINAL TO BE STRIPPER 10 AND SOLDER DIPPED.
 Ⓛ ALL GROUND WIRES TO BE COVERED WITH TUBING 8041-02-000.

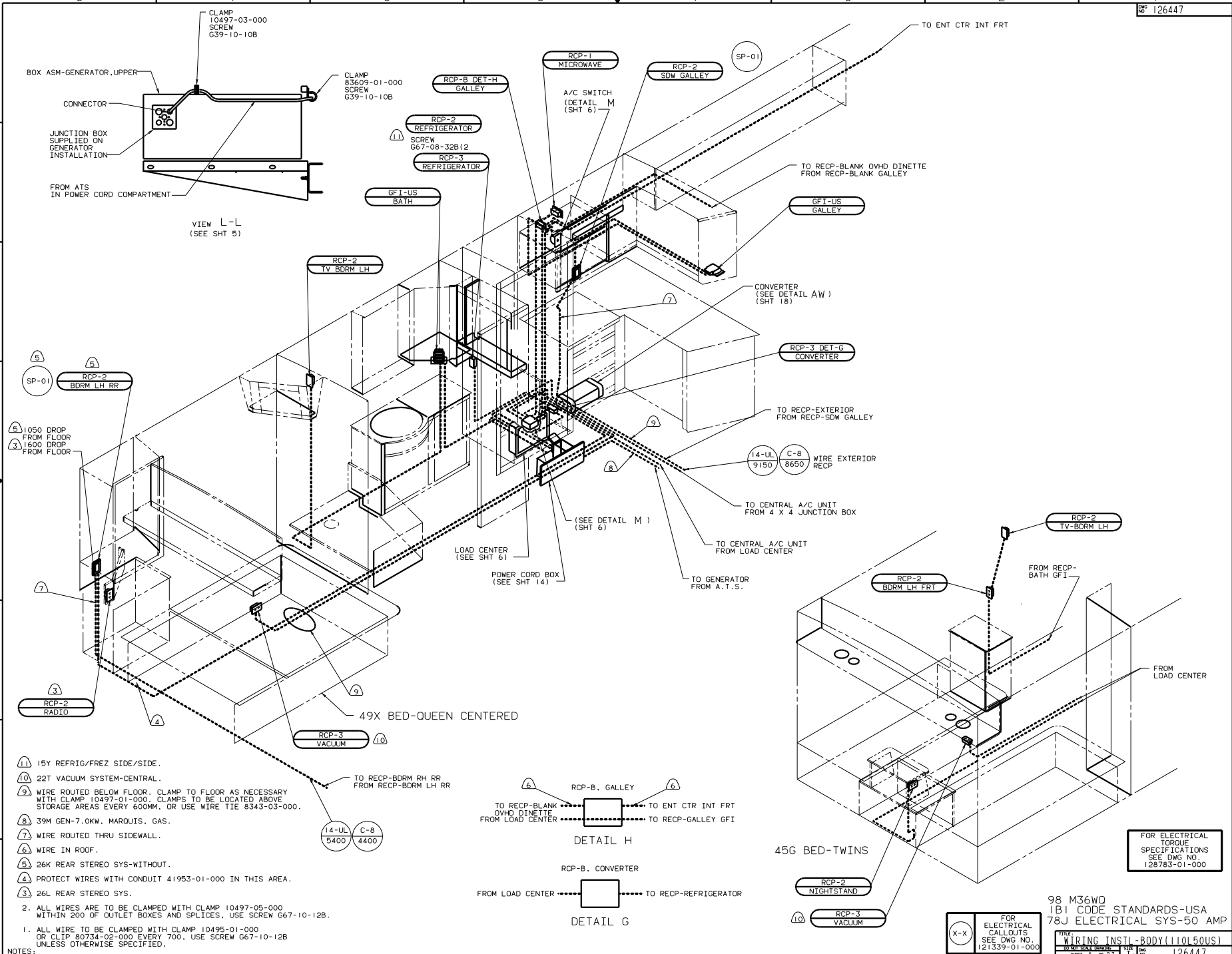
NOTES:

FOR ELECTRICAL TORQUE SPECIFICATIONS SEE DWG NO. 128783-01-000

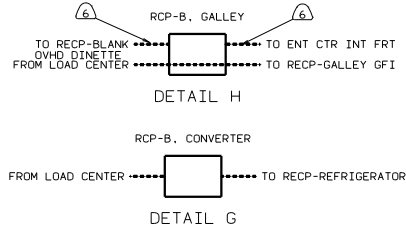
FOR ELECTRICAL CALLOUTS SEE DWG NO. 121339-01-000

98 M36WQ
 LOAD CENTER
 IBI CODE STANDARDS-USA
 12D ELECTRICAL SYS-30 AMP

WIRING INSTL-BODY(30 LC US)
 SHEET 3 OF 23



- (11) 15Y REFRIG/FREZ SIDE/SIDE.
 - (10) 22T VACUUM SYSTEM-CENTRAL.
 - (9) WIRE ROUTED BELOW FLOOR. CLAMP TO FLOOR AS NECESSARY WITH CLAMP 10497-01-000. CLAMPS TO BE LOCATED ABOVE STORAGE AREAS EVERY 600MM. OR USE WIRE TIE 8343-03-000.
 - (8) 39M GEN-7.0KW, MARQUIS, GAS.
 - (7) WIRE ROUTED THRU SIDEWALL.
 - (6) WIRE IN ROOF.
 - (5) 26K REAR STEREO SYS-WITHOUT.
 - (4) PROTECT WIRES WITH CONDUIT 41953-01-000 IN THIS AREA.
 - (3) 26L REAR STEREO SYS.
2. ALL WIRES ARE TO BE CLAMPED WITH CLAMP 10497-05-000 WITHIN 200 OF OUTLET BOXES AND SPLICES. USE SCREW G67-10-12B.
1. ALL WIRE TO BE CLAMPED WITH CLAMP 10495-01-000 OR CLIP 80734-02-000 EVERY 700. USE SCREW G67-10-12B UNLESS OTHERWISE SPECIFIED.

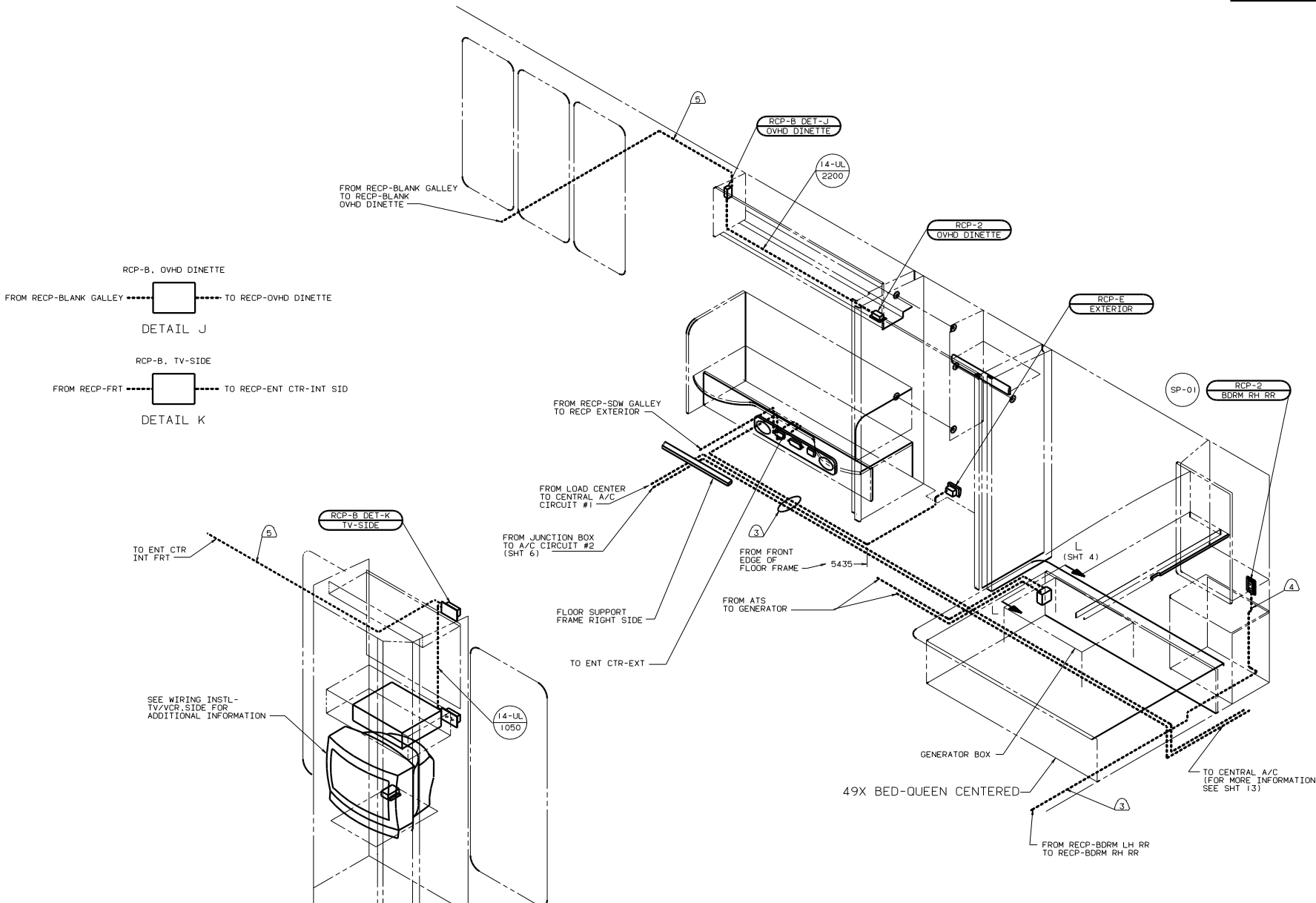


FOR ELECTRICAL TORQUE SPECIFICATIONS SEE DWG NO. 128763-01-000

(X-X) FOR ELECTRICAL CALLOUTS SEE DWG NO. 121339-01-000

98 M36WQ
1B1 CODE STANDARDS-USA
78J ELECTRICAL SYS-50 AMP

WIRING INSTL-BODY (110150US)
SHEET 4 OF 23
126447



76H ENTERTAINMENT CTR-INTERIOR

- ⑤ WIRE IN ROOF.
 - ④ WIRE ROUTED THRU SIDEWALL.
 - ③ WIRE ROUTED BELOW FLOOR. CLAMP TO FLOOR AS NECESSARY WITH CLAMP 10497-01-000. CLAMPS TO BE LOCATED ABOVE STORAGE AREAS, EVERY 600 MM OR USE WIRE TIE 8343-03-000.
2. ALL WIRES ARE TO BE CLAMPED WITH CLAMP 10495-01-000 WITHIN 200 OF OUTLET BOXES AND SPLICES. USE SCREW G67-10-12B.
1. ALL WIRE TO BE CLAMPED WITH CLAMP 10495-01-000 OR CLIP 80734-02-000 EVERY 700. USE SCREW G67-10-12B UNLESS OTHERWISE SPECIFIED.

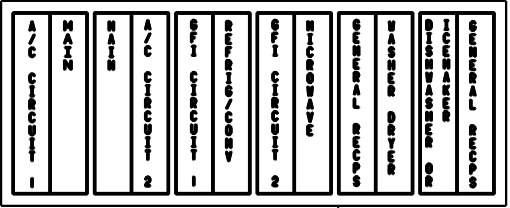
NOTES:

FOR ELECTRICAL TORQUE SPECIFICATIONS SEE DWG NO. 128783-01-000

FOR ELECTRICAL CALLOUTS SEE DWG NO. 121339-01-000

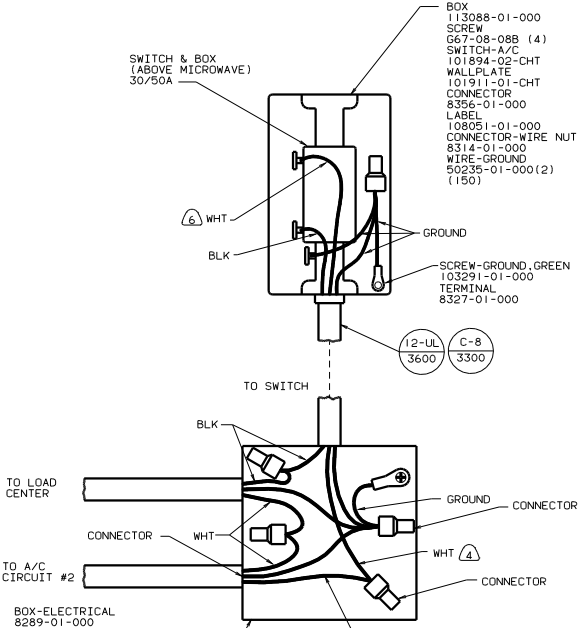
98 M36W0
1B1 CODE STANDARDS-USA
78J ELECTRICAL SYS-50 AMP

WIRING INSTL-BODY (11OR50US)
1 of 5
126447



INSTALL LABEL ON FRONT PANEL BELOW BREAKERS BETWEEN MOUNTING HOLES

LABEL 95721-17-000

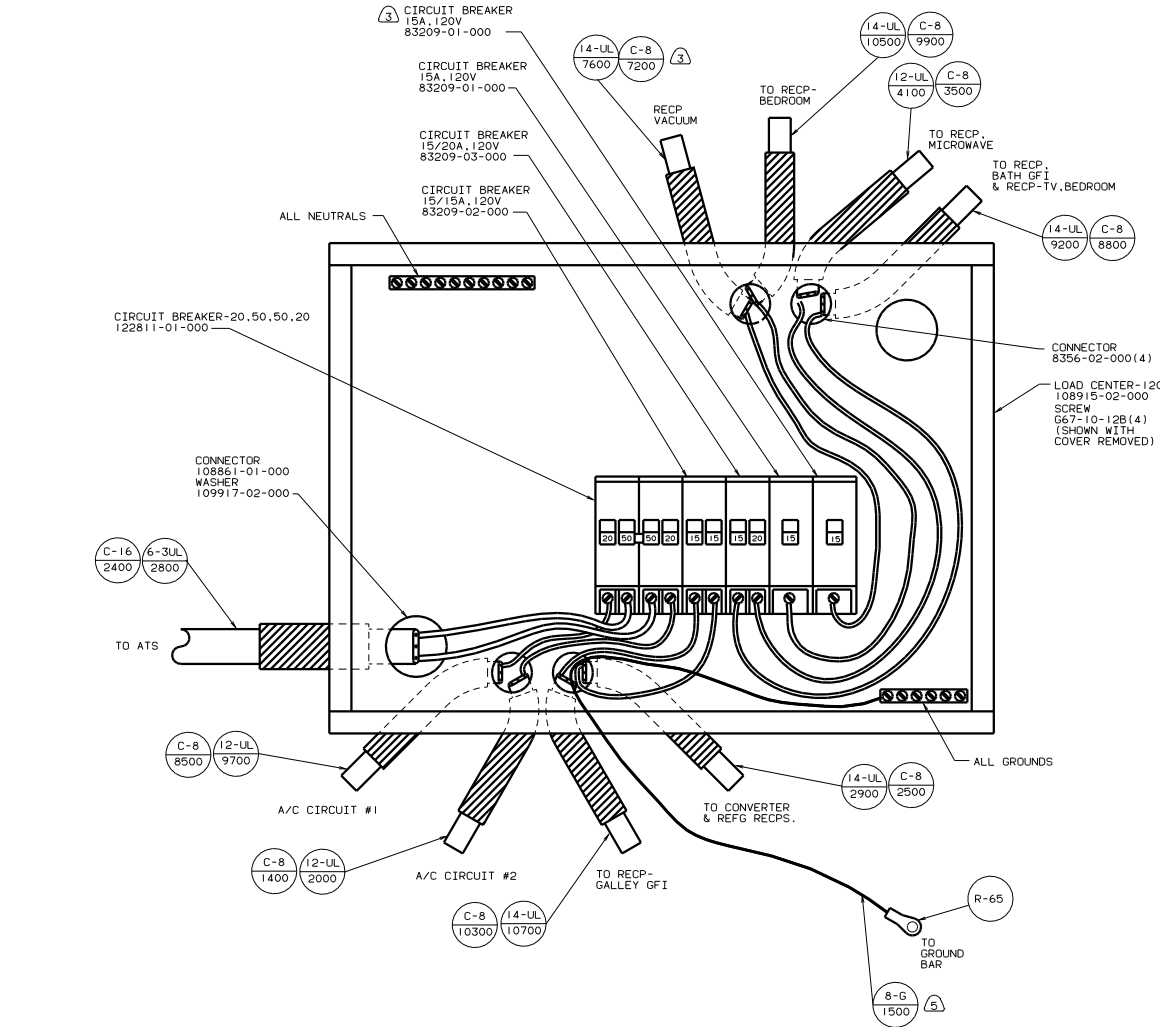


FOR ELECTRICAL TORQUE SPECIFICATIONS SEE DWG NO. 128783-01-000

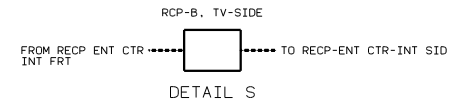
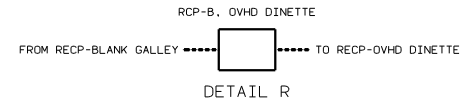
FOR ELECTRICAL CALLOUTS SEE DWG NO. 121339-01-000

98 M36WQ
LOAD CENTER
181 CODE STANDARDS-USA
78J ELECTRICAL SYS-50 AMP

FILE	126447
NO. THIS SHEET CONTAINS	6
TITLE	WIRING INSTL-BODY(50 LS US)
SHEET	6 OF 23
DATE	
DESIGNER	
CHKD	
APP'D	
126447	



- ⑤ WIRE W/O TERMINAL TO BE STRIPPED 10 AND SOLDER DIPPED.
- ④ WRAP WITH BLACK TAPE.
- ③ 22T VACUUM SYSTEM-CENTRAL.
- ② ALL WIRES TO EXIT BACK SIDE OF BOX.
- 1. ALL GROUND WIRES TO BE COVERED WITH TUBING 8041-02-000.



FROM RECP-BLANK GALLEY TO RECP-BLANK OVHD DINETTE

RCP-B DET-R OVHD DINETTE

14-CA 2200

TO ENT CTR-EXT

RCP-2 OVHD DINETTE

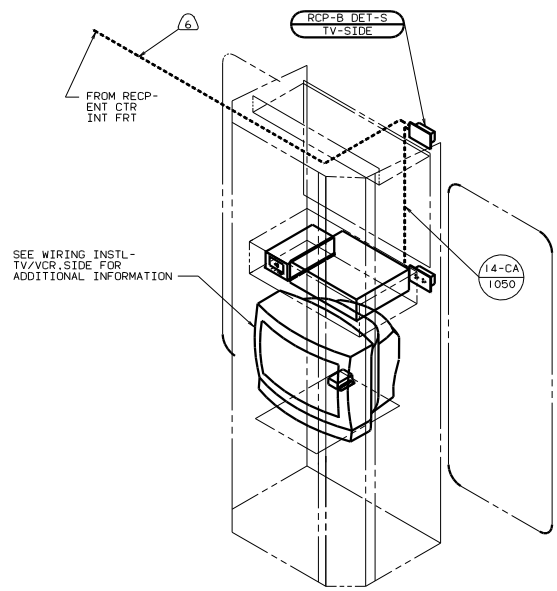
RCP-E EXTERIOR

GENERATOR BOX

SP-01 RCP-2 BDRM RH RR

FROM RECP-SDW GALLEY TO RECP-EXTERIOR

FLOOR SUPPORT FRAME RIGHT SIDE



FROM FRONT EDGE OF FLOOR FRAME 5435

FROM ATS TO GENERATOR

FROM LOAD CENTER TO CENTRAL A/C UNIT

FROM GENERATOR TO A/C

49X BED-QUEEN CENTERED

TO CENTRAL A/C UNIT (FOR MORE INFORMATION (SEE SHT 13))

FROM RECP-BDRM LH RR TO RECP-BDRM RH RR

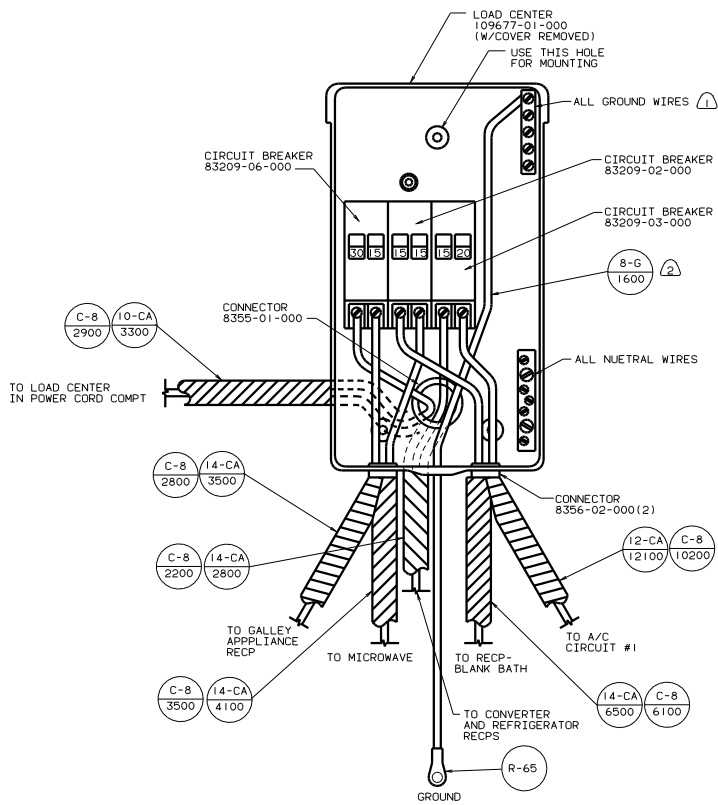
- NOTES:
- ① WIRE ROUTED IN ROOF.
 - ② WIRE ROUTED THRU SIDEWALL.
 - ③ WIRE ROUTED BELOW FLOOR. CLAMP TO FLOOR AS NECESSARY WITH CLAMP 10497-01-000. CLAMPS TO BE LOCATED ABOVE STORAGE AREAS, EVERY 500 MM. OR USE WIRE TIE 8343-03-000.
 - 2. ALL WIRES ARE TO BE CLAMPED WITH CLAMP 10495-05-000 WITHIN 200 OF OUTLET BOXES AND SPLICES. USE SCREW G67-10-12B.
 - 1. ALL WIRE TO BE CLAMPED WITH CLAMP 10495-01-000 OR CLIP 80734-02-000 EVERY 600. USE SCREW G67-10-12B UNLESS OTHERWISE SPECIFIED.

FOR ELECTRICAL TORQUE SPECIFICATIONS SEE DWG NO. 128783-01-000

FOR ELECTRICAL CALLOUTS SEE DWG NO. 121339-01-000

98 M36WQ
265 CODE STANDARDS-CSA
12D ELECTRICAL SYS-30 AMP

WIRING INSTL-BODY (110R30CAN)
SHEET 8 OF 23



30	15	15	15	15	20
M	A	R	M	R	A
A	P	R	M	R	A
I	P	E	I	E	C
N	P	C	C	C	C
	L	E	R	E	
	I	R	E		
	N				
	C				
	E				

INSTALL LABEL ON BACK SIDE OF CABINET ACCESS DOOR

LABEL 95721-10-000

NOTES:

(2) WIRE W/O TERMINAL TO BE STRIPPED 10 AND SOLDER DIPPED.

(1) ALL GROUND WIRES TO BE COVERED WITH TUBING 8041-02-000.

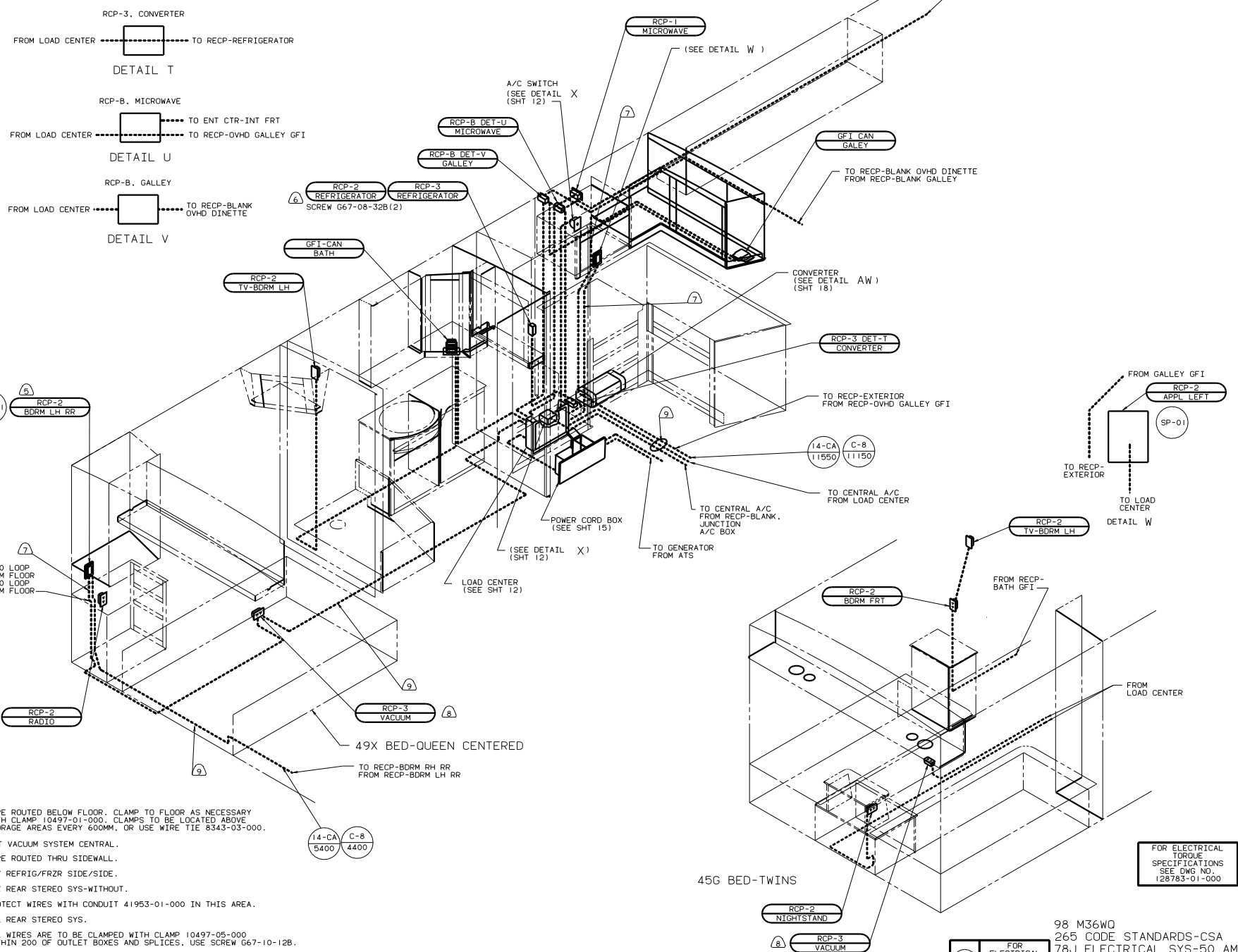
FOR ELECTRICAL TORQUE SPECIFICATIONS SEE DWG NO. 128783-01-000

FOR ELECTRICAL CALLOUTS SEE DWG NO. 121339-01-000

98 M36W0
LOAD CENTER
265 CODE STANDARDS-CSA
12D ELECTRICAL SYS-30 AMP

WIRING INSTL-BODY30 LC CAN

126447

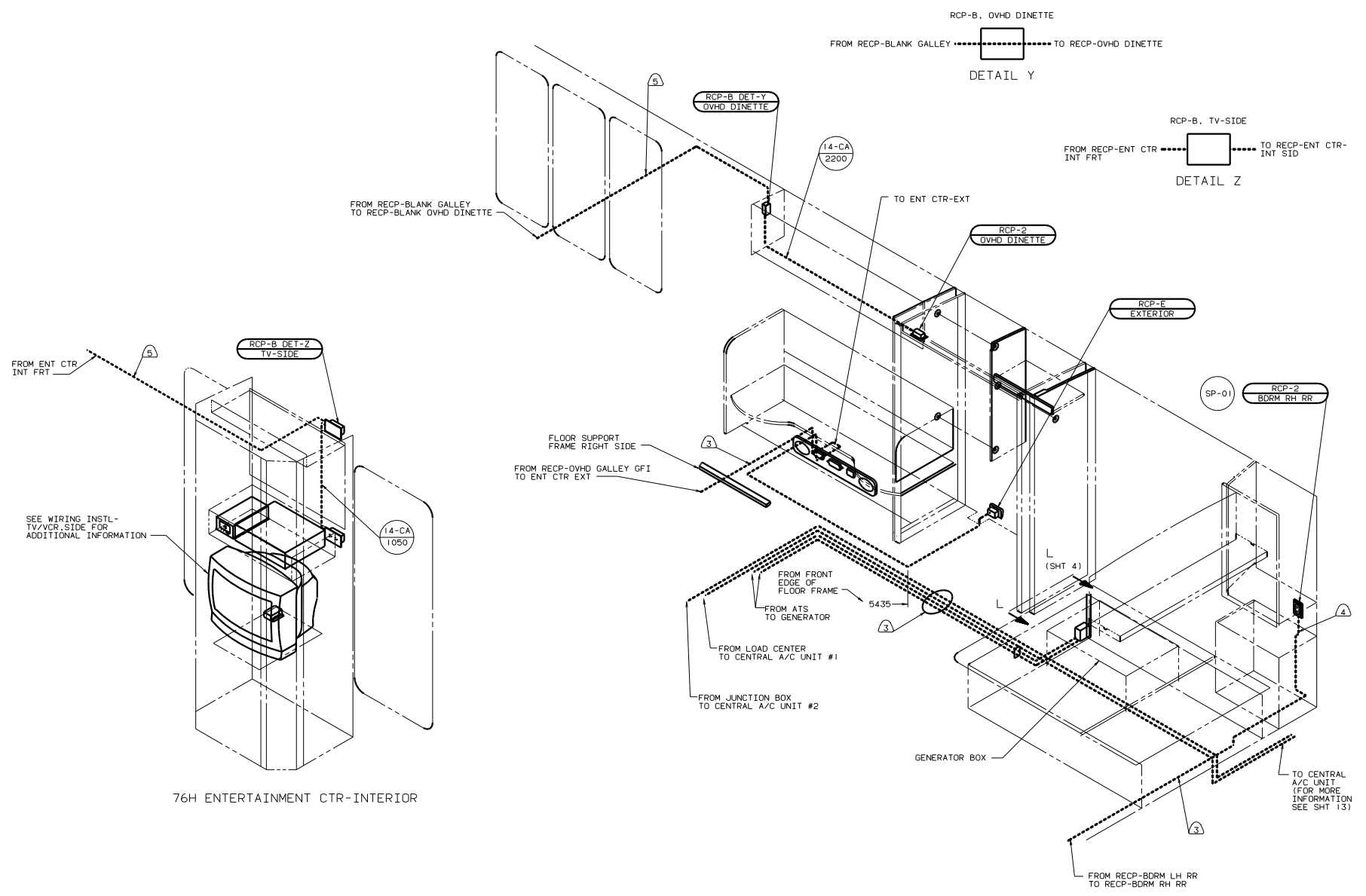


- 9. WIRE ROUTED BELOW FLOOR. CLAMP TO FLOOR AS NECESSARY WITH CLAMP 10497-01-000. CLAMPS TO BE LOCATED ABOVE STORAGE AREAS EVERY 600MM, OR USE WIRE TIE 8343-03-000.
 - 8. 22T VACUUM SYSTEM CENTRAL.
 - 7. WIRE ROUTED THRU SIDEWALL.
 - 6. 15Y REFRIG/FRZR SIDE/SIDE.
 - 5. 26K REAR STEREO SYS-WITHOUT.
 - 4. PROTECT WIRES WITH CONDUIT 41953-01-000 IN THIS AREA.
 - 3. 26L REAR STEREO SYS.
2. ALL WIRES ARE TO BE CLAMPED WITH CLAMP 10495-05-000 WITHIN 200 OF OUTLET BOXES AND SPLICES. USE SCREW G67-10-12B.
1. ALL WIRE TO BE CLAMPED WITH CLAMP 10495-01-000 OR CLIP 80734-02-000 EVERY 700. USE SCREW G67-10-12B UNLESS OTHERWISE SPECIFIED.

FOR ELECTRICAL TORQUE SPECIFICATIONS SEE DWG NO. 128783-01-000

(X-X) FOR ELECTRICAL CALLOUTS SEE DWG NO. 121339-01-000

98 M36W0
265 CODE STANDARDS-CSA
78J ELECTRICAL SYS-50 AMP
WIRING INSTL-BODY(110150CAN)
SHEET 10 OF 23



76H ENTERTAINMENT CTR-INTERIOR

- ⑤ WIRE ROUTED IN ROOF.
 - ④ WIRE ROUTED THRU SIDEWALL.
 - ③ WIRE ROUTED BELOW FLOOR. CLAMP TO FLOOR AS NECESSARY WITH CLAMP 10497-01-000. CLAMPS TO BE LOCATED ABOVE STORAGE AREAS, EVERY 500 MM. OR USE WIRE TIE 8343-03-000.
2. ALL WIRES ARE TO BE CLAMPED WITH CLAMP 10495-01-000 WITHIN 200 OF OUTLET BOXES AND SPLICES. USE SCREW G67-10-12B.
1. ALL WIRE TO BE CLAMPED WITH CLAMP 10495-01-000 OR CLIP 80734-02-000 EVERY 700. USE SCREW G67-10-12B UNLESS OTHERWISE SPECIFIED.

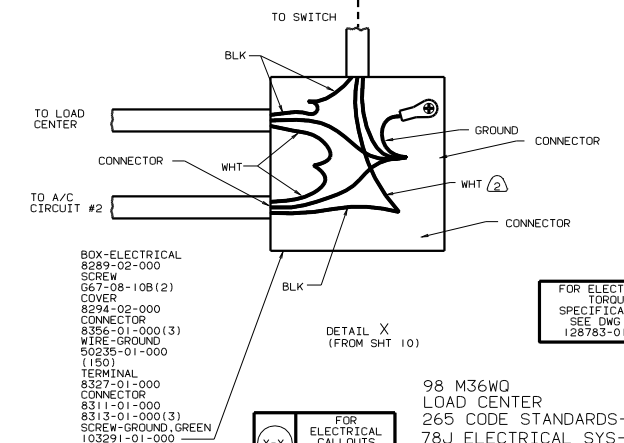
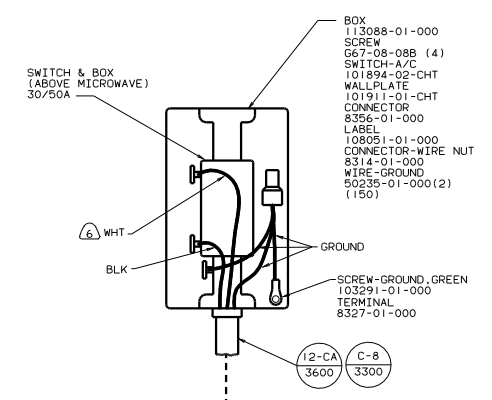
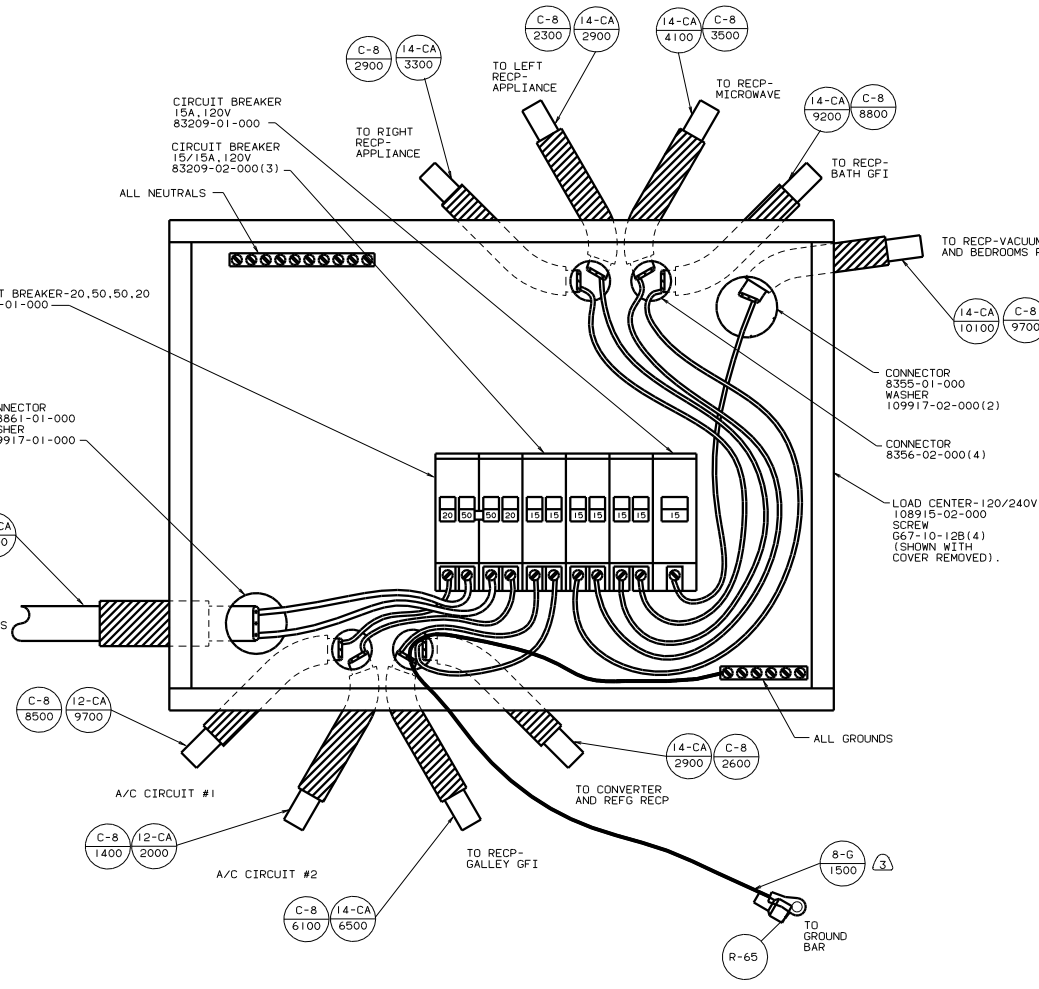
FOR ELECTRICAL TORQUE SPECIFICATIONS SEE DWG NO. 128783-01-000

X-X

FOR ELECTRICAL CALLOUTS SEE DWG NO. 121339-01-000

98 M36W0
265 CODE STANDARDS-CSA
78J ELECTRICAL SYS-50 AMP

FILE	WIRING INSTL-BODY(11050CAN)
NO. OF SHEETS	11 of 23
REV	1
DATE	126447



A/C CIRCUIT #1	WASHER/DRYER
WASH	GENERAL RECPs
MAIN	APPLIANCE 1
A/C CIRCUIT #2	APPLIANCE 2
WASH	MICROWAVE
SFI CIRCUIT #1	RECPs/COMV
RECP	SFI CIRCUIT #2
SFI CIRCUIT #2	RECP
A/C CIRCUIT #1	WASH
WASH	MAIN
A/C CIRCUIT #2	A/C CIRCUIT #1
A/C CIRCUIT #1	A/C CIRCUIT #2

LABEL 95721-18-000

INSTALL LABEL ON FRONT PANEL BELOW BREAKERS BETWEEN MOUNTING HOLES

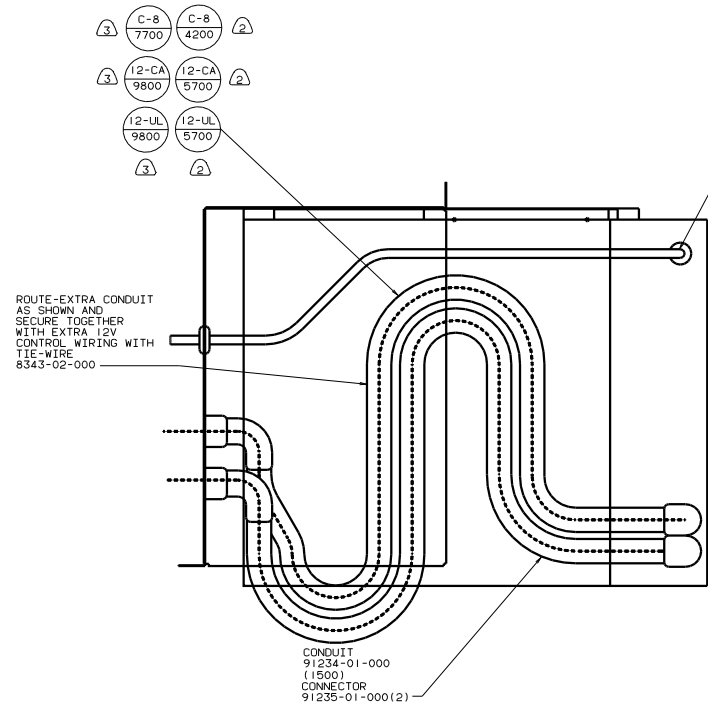
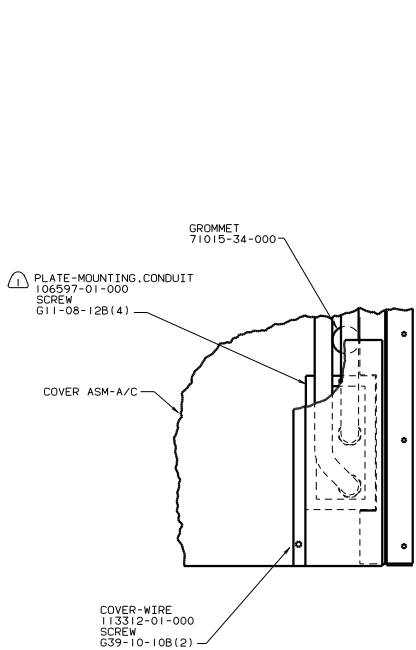
FOR ELECTRICAL TORQUE SPECIFICATIONS SEE DWG NO. 128783-01-000

FOR ELECTRICAL CALLOUTS SEE DWG NO. 121339-01-000

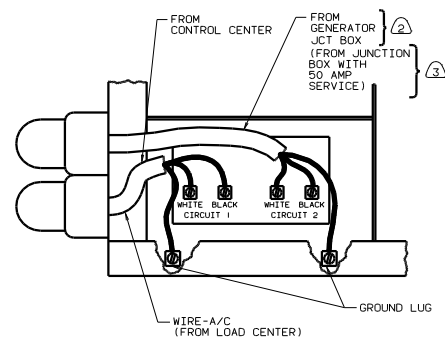
98 M36WQ LOAD CENTER 265 CODE STANDARDS-CSA 78J ELECTRICAL SYS-50 AMP

FILE	126447
DATE	12/12/05
BY	JLH
CHECKED	
DATE	
BY	
CHECKED	
DATE	
BY	
CHECKED	
DATE	
BY	

- NOTES:
- WIRE W/O TERMINAL TO BE STRIPPED 10 AND SOLDER DIPPED.
 - WRAP WITH BLACK TAPE.
 - ALL GROUND WIRES TO BE COVERED WITH TUBING 8041-02-000.



VIEW E-E



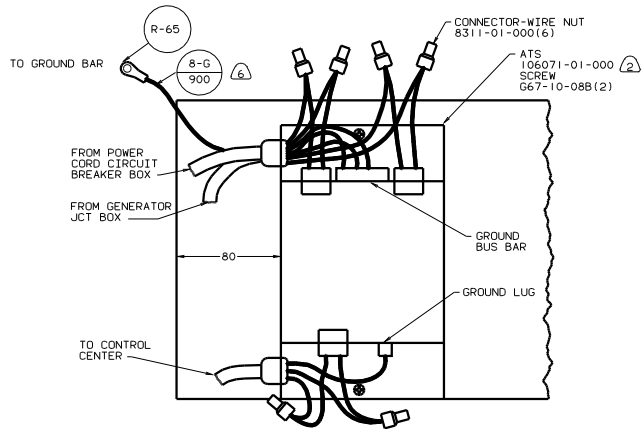
- NOTES:
- ③ USE WITH 50 AMP 110V SERVICE TO JUNCTION BOX SEE SHEET 6 OR 12 FOR ADDITIONAL INFORMATION.
 - ② WITH 30 AMP 110V US/CAN SERVICE.
 - ① SEAL EDGES WITH TACKY TAPE.

FOR ELECTRICAL TORQUE SPECIFICATIONS SEE DWG NO. 128783-01-000

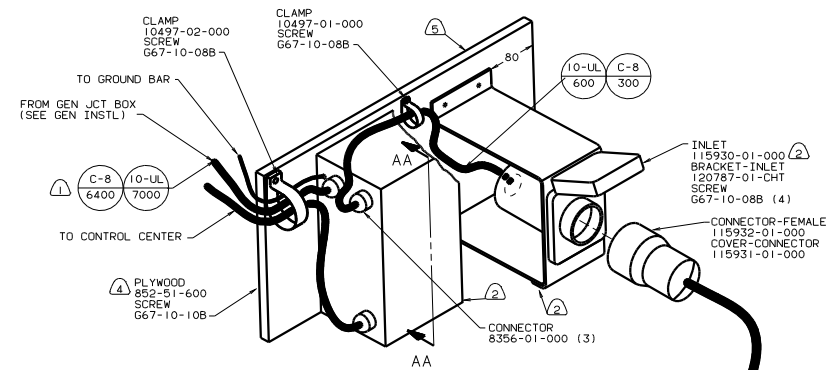
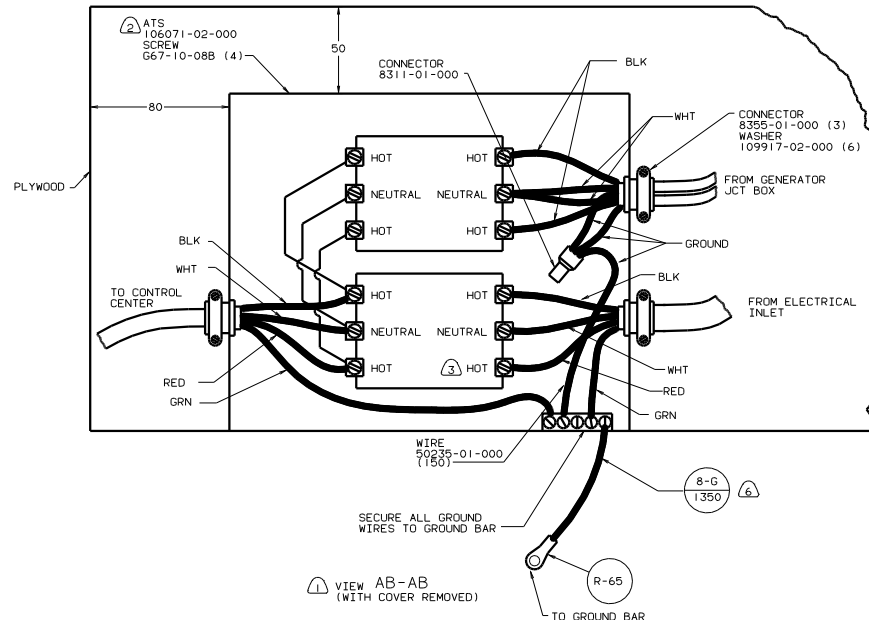
FOR ELECTRICAL CALLOUTS SEE DWG NO. 121339-01-000

98 M36W0
A/C UNIT
265 CODE STANDARDS-CSA
1B1 CODE STANDARDS-USA

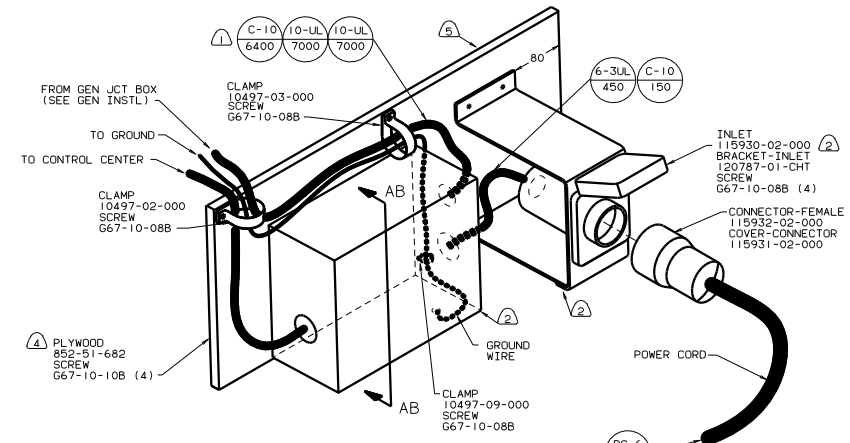
TITLE		DRAWING NO.	
WIRING INSTL-BODY(A/C UNIT)		121339-01-000	
NO. OF SHEETS	TOTAL SHEETS	SHEET NO.	TOTAL SHEETS
3	23	16	23



VIEW AA-AA (WITH COVER REMOVED) 1



12D ELECTRICAL SYS-30 AMP



78J ELECTRICAL SYS-50 AMP

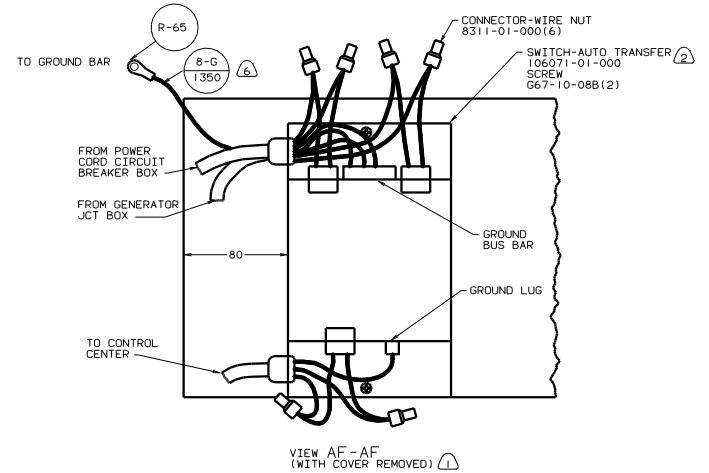
- 1 WIRE W/O TERMINAL TO BE STRIPPED 10 AND SOLDER DIPPED.
- 2 MOUNT FLUSH WITH TOP EDGE OF COMPARTMENT.
- 3 PAINT EXPOSED SURFACES BLACK 106112-01-000.
- 4 FOR POWER CORD CONNECTION ONLY, REMOVE LUGS PROVIDED WITH BOX AND CONNECT DIRECTLY TO RING TERMINALS PROVIDED ON POWER CORD.
- 5 MOUNT FLUSH WITH BOTTOM OF BOARD.
- 6 39M GEN 7.0KW, MARQUIS, GAS.

FOR ELECTRICAL TORQUE SPECIFICATIONS SEE DWG NO. 128783-01-000

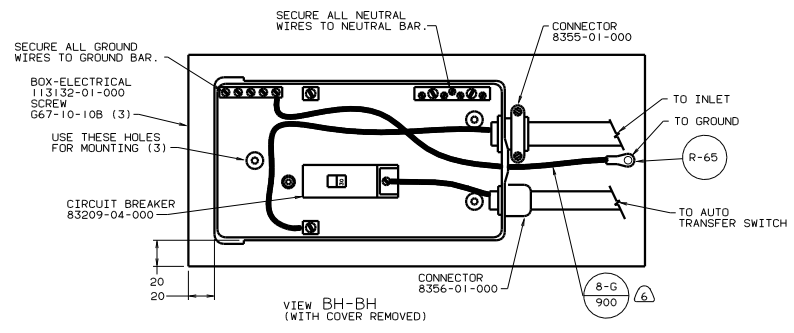
FOR ELECTRICAL CALLOUTS SEE DWG NO. 121339-01-000

88 M36WQ
AUTOMATIC TRANSFER SWITCH
IBI CODE STANDARDS-USA

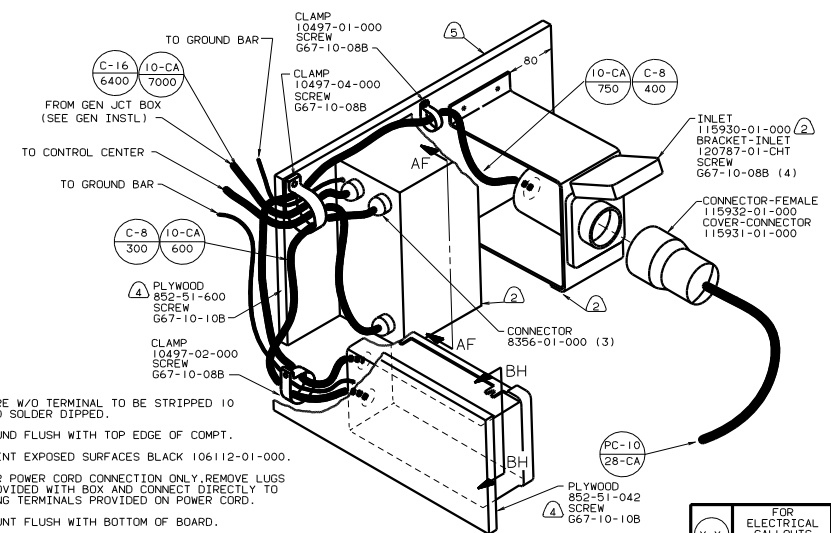
WIRING INSTL-BODY(ATS/US)
1 of 2
126447



VIEW AF-AF (WITH COVER REMOVED)



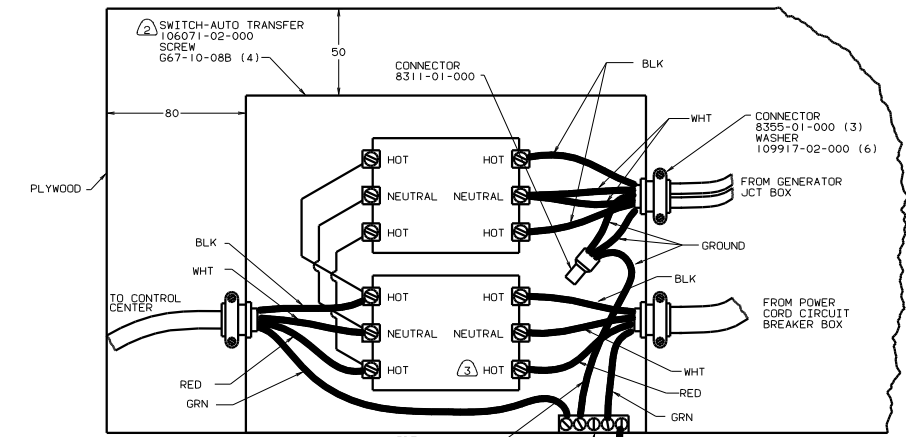
VIEW BH-BH (WITH COVER REMOVED)



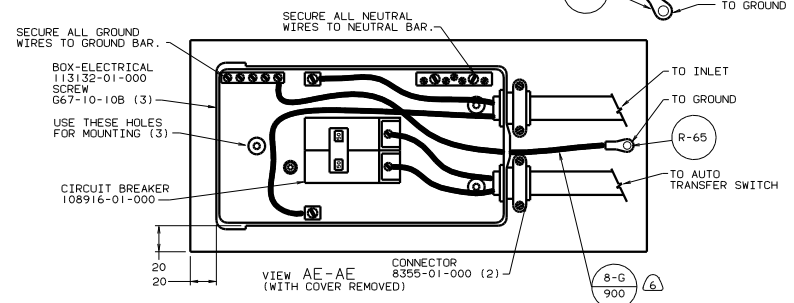
12D ELECTRICAL SYS-30 AMP

- ① WIRE W/O TERMINAL TO BE STRIPPED 10 AND SOLDER DIPPED.
- ② MOUNT FLUSH WITH TOP EDGE OF COMPT.
- ③ PAINT EXPOSED SURFACES BLACK 106112-01-000.
- ④ FOR POWER CORD CONNECTION ONLY REMOVE LUGS PROVIDED WITH BOX AND CONNECT DIRECTLY TO RING TERMINALS PROVIDED ON POWER CORD.
- ⑤ MOUNT FLUSH WITH BOTTOM OF BOARD.
- ⑥ 39M GEN 7.0KW, MARQUIS, GAS.

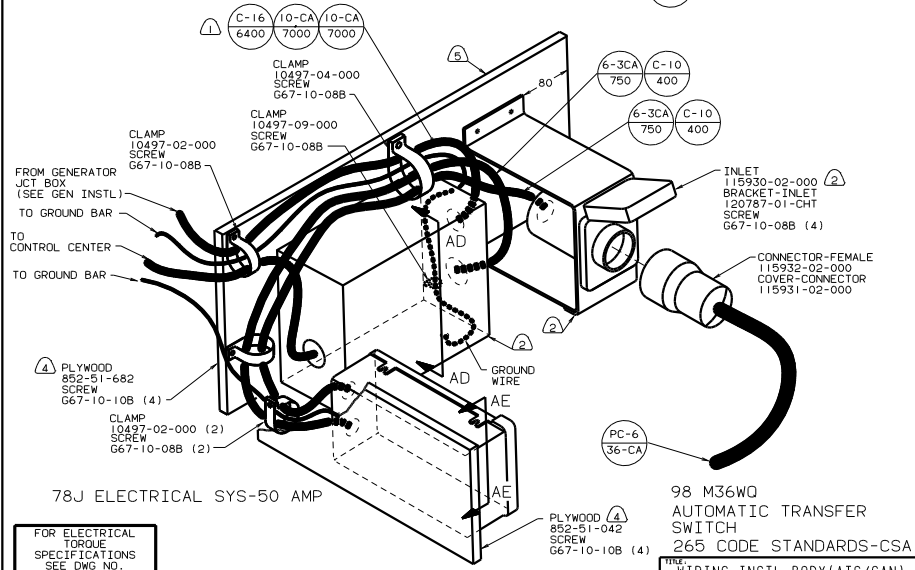
X-X	FOR ELECTRICAL CALLOUTS SEE DWG NO. 121339-01-000
-----	---



VIEW AD-AD (WITH COVER REMOVED)



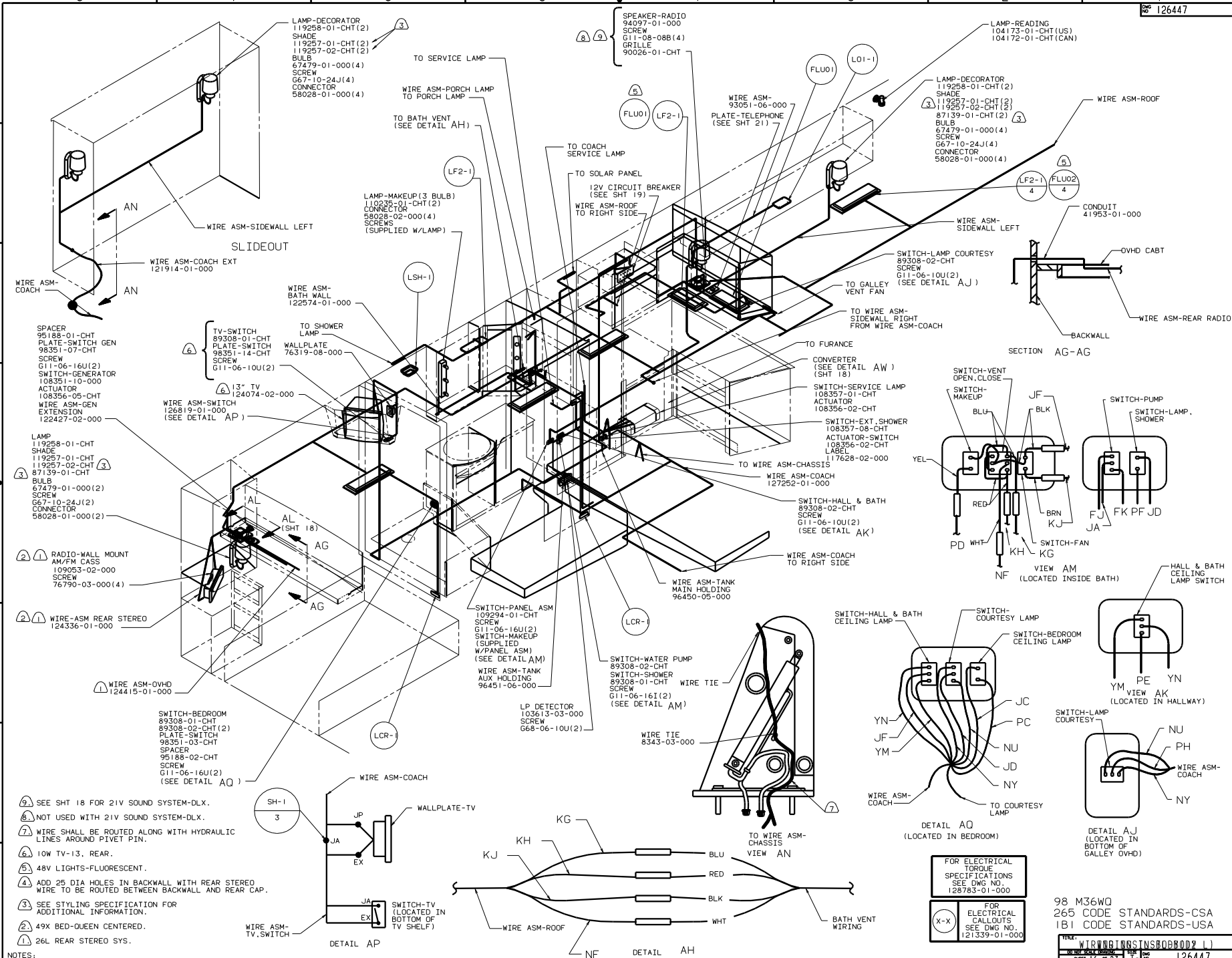
VIEW AE-AE (WITH COVER REMOVED)



78J ELECTRICAL SYS-50 AMP

98 M36W0
AUTOMATIC TRANSFER SWITCH
265 CODE STANDARDS-CSA

FILE NO.	WIRING INSTL - BODY (ATS/CAN)
30 DAY SCALE DRAWING	126447
SHEET NO.	15 OF 23
DATE	126447

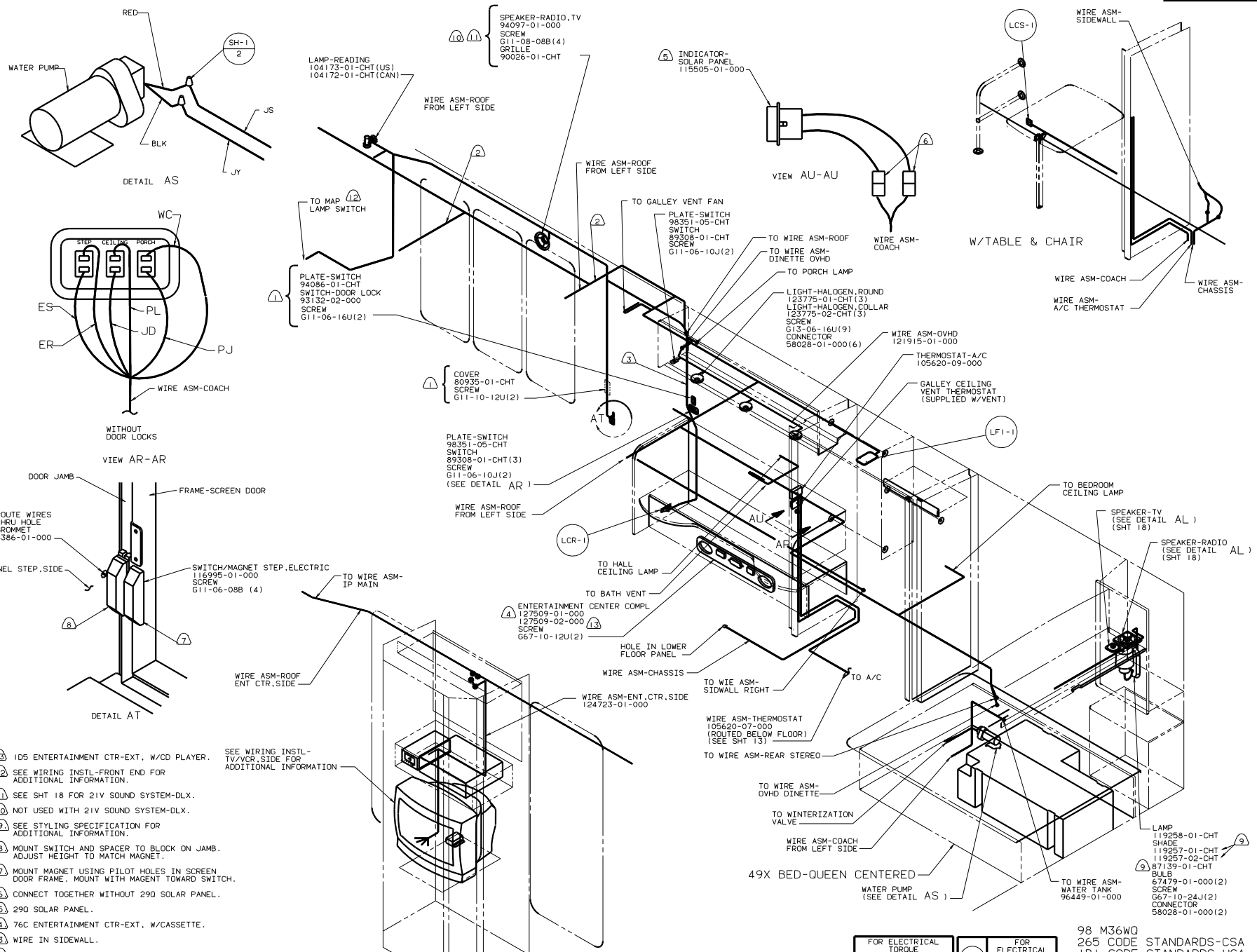


- ① SPACER 95188-01-CHT
PLATE-SWITCH GEN 98351-07-CHT
SCREW G11-06-16U(2)
SWITCH-GENERATOR 108351-10-000
ACTUATOR 108356-05-CHT
WIRE ASM-GEN EXTENSION 122427-02-000
- ② LAMP 119258-01-CHT
SHADE 119257-01-CHT
119257-02-CHT
87139-01-CHT
BULB 67479-01-000(2)
SCREW G67-10-24J(2)
CONNECTOR 58028-01-000(2)
- ③ RADIO-WALL MOUNT AM/FM CASS 109053-02-000
SCREW 76790-03-000(4)
- ④ WIRE-ASM REAR STEREO 124336-01-000
- ⑤ WIRE ASM-OVHD 124415-01-000
- ⑥ SWITCH-BEDROOM 89308-01-CHT
89308-02-CHT(2)
PLATE-SWITCH 98351-03-CHT
SPACER 95188-02-CHT
SCREW G11-06-16U(2)
(SEE DETAIL AQ)
- ⑦ WIRE ASM-SIDEWALL LEFT 121914-01-000
- ⑧ WIRE ASM-COACH EXT 121914-01-000
- ⑨ WIRE ASM-COACH AN
- ⑩ WIRE ASM-SIDEWALL LEFT
- ⑪ WIRE ASM-SIDEWALL RIGHT FROM WIRE ASM-COACH
- ⑫ WIRE ASM-TANK MAIN HOLDING 96450-05-000
- ⑬ WIRE ASM-TANK ALX HOLDING 96451-06-000
- ⑭ WIRE ASM-TANK HOLDING 96450-05-000
- ⑮ WIRE ASM-TANK MAIN HOLDING 96450-05-000
- ⑯ WIRE ASM-TANK HOLDING 96451-06-000
- ⑰ WIRE ASM-TANK HOLDING 96450-05-000
- ⑱ WIRE ASM-TANK HOLDING 96451-06-000
- ⑲ WIRE ASM-TANK HOLDING 96450-05-000
- ⑳ WIRE ASM-TANK HOLDING 96451-06-000
- ㉑ WIRE ASM-TANK HOLDING 96450-05-000
- ㉒ WIRE ASM-TANK HOLDING 96451-06-000
- ㉓ WIRE ASM-TANK HOLDING 96450-05-000
- ㉔ WIRE ASM-TANK HOLDING 96451-06-000
- ㉕ WIRE ASM-TANK HOLDING 96450-05-000
- ㉖ WIRE ASM-TANK HOLDING 96451-06-000
- ㉗ WIRE ASM-TANK HOLDING 96450-05-000
- ㉘ WIRE ASM-TANK HOLDING 96451-06-000
- ㉙ WIRE ASM-TANK HOLDING 96450-05-000
- ㉚ WIRE ASM-TANK HOLDING 96451-06-000
- ㉛ WIRE ASM-TANK HOLDING 96450-05-000
- ㉜ WIRE ASM-TANK HOLDING 96451-06-000
- ㉝ WIRE ASM-TANK HOLDING 96450-05-000
- ㉞ WIRE ASM-TANK HOLDING 96451-06-000
- ㉟ WIRE ASM-TANK HOLDING 96450-05-000
- ㊱ WIRE ASM-TANK HOLDING 96451-06-000
- ㊲ WIRE ASM-TANK HOLDING 96450-05-000
- ㊳ WIRE ASM-TANK HOLDING 96451-06-000
- ㊴ WIRE ASM-TANK HOLDING 96450-05-000
- ㊵ WIRE ASM-TANK HOLDING 96451-06-000
- ㊶ WIRE ASM-TANK HOLDING 96450-05-000
- ㊷ WIRE ASM-TANK HOLDING 96451-06-000
- ㊸ WIRE ASM-TANK HOLDING 96450-05-000
- ㊹ WIRE ASM-TANK HOLDING 96451-06-000
- ㊺ WIRE ASM-TANK HOLDING 96450-05-000
- ㊻ WIRE ASM-TANK HOLDING 96451-06-000
- ㊼ WIRE ASM-TANK HOLDING 96450-05-000
- ㊽ WIRE ASM-TANK HOLDING 96451-06-000
- ㊾ WIRE ASM-TANK HOLDING 96450-05-000
- ㊿ WIRE ASM-TANK HOLDING 96451-06-000

- ① SEE SHT 18 FOR 21V SOUND SYSTEM-DLX.
- ② NOT USED WITH 21V SOUND SYSTEM-DLX.
- ③ WIRE SHALL BE ROUTED ALONG WITH HYDRAULIC LINES AROUND PIVET PIN.
- ④ 10W TV-13. REAR.
- ⑤ 48V LIGHTS-FLUORESCENT.
- ⑥ ADD .25 DIA HOLES IN BACKWALL WITH REAR STEREO WIRE TO BE ROUTED BETWEEN BACKWALL AND REAR CAP.
- ⑦ SEE STYLING SPECIFICATION FOR ADDITIONAL INFORMATION.
- ⑧ 49X BED-QUEEN CENTERED.
- ⑨ 26L REAR STEREO SYS.

FOR ELECTRICAL TORQUE SPECIFICATIONS SEE DWG NO. 128783-01-000	FOR ELECTRICAL CALLOUTS SEE DWG NO. 121339-01-000
--	---

98 M36WQ
265 CODE STANDARDS-CSA
1B1 CODE STANDARDS-USA



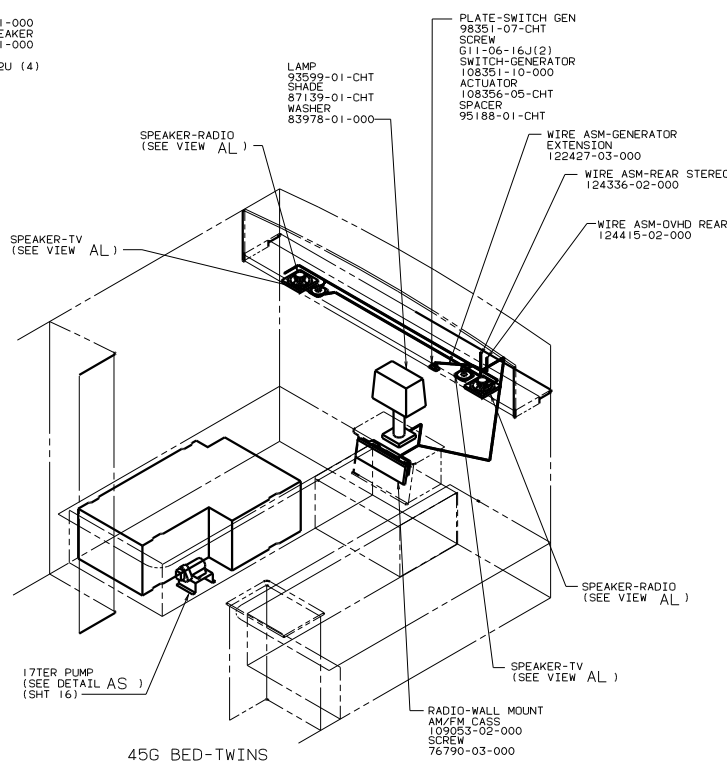
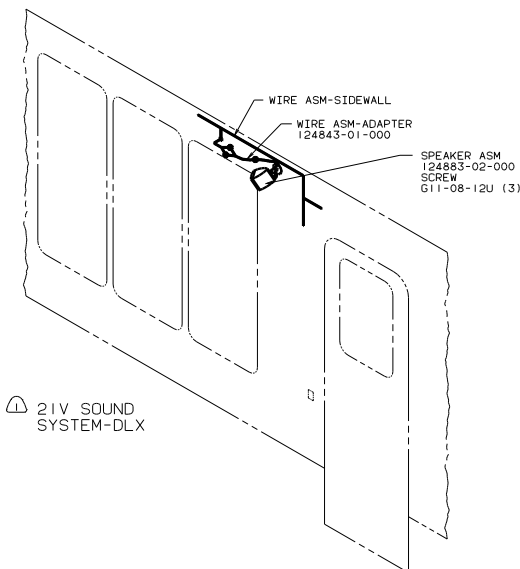
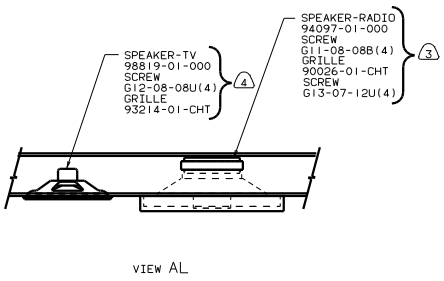
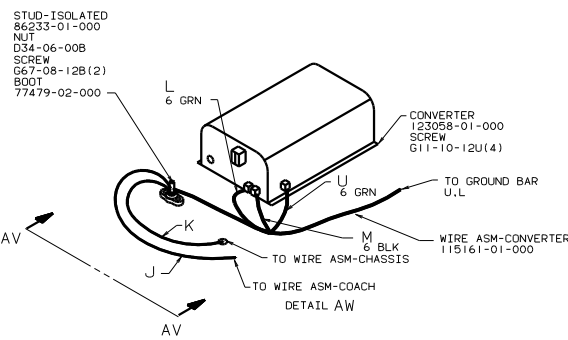
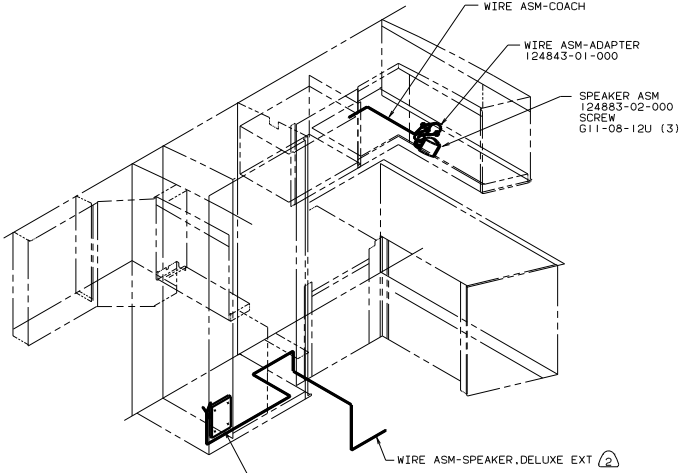
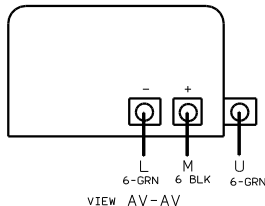
- 13 105 ENTERTAINMENT CTR-EXT. W/CD PLAYER. SEE WIRING INSTL-TV/VCR SIDE FOR ADDITIONAL INFORMATION.
 12 SEE WIRING INSTL-FRONT END FOR ADDITIONAL INFORMATION.
 11 SEE SHT 18 FOR 21V SOUND SYSTEM-DLX.
 10 NOT USED WITH 21V SOUND SYSTEM-DLX.
 9 SEE STYLING SPECIFICATION FOR ADDITIONAL INFORMATION.
 8 MOUNT SWITCH AND SPACER TO BLOCK ON JAMB. ADJUST HEIGHT TO MATCH MAGNET.
 7 MOUNT MAGNET USING PILOT HOLES IN SCREEN DOOR FRAME. MOUNT WITH MAGNET TOWARD SWITCH.
 6 CONNECT TOGETHER WITHOUT 290 SOLAR PANEL.
 5 290 SOLAR PANEL.
 4 76C ENTERTAINMENT CTR-EXT. W/CASSETTE.
 3 WIRE IN SIDEWALL.
 2 WIRE IN ROOF.
 1 40G PWR DOOR LOCK W/REMOTE.

76H ENTERTAINMENT CTR-INTERIOR

FOR ELECTRICAL TORQUE SPECIFICATIONS SEE DWG NO. 128783-01-000	(X-X)	FOR ELECTRICAL CALLOUTS SEE DWG NO. 121359-01-000
--	-------	---

98 M36W0
 265 CODE STANDARDS-CSA
 1B1 CODE STANDARDS-USA

WIRING INSTL-BODY(12_R)	
NO. OF SHEETS	TOTAL SHEETS
17	23
126447	



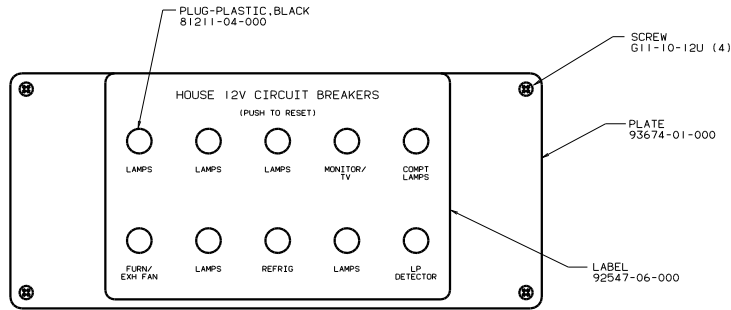
- (4) 10W TV-13". REAR.
 - (3) 26L REAR STEREO SYSTEM.
 - (2) SEE WIRING INSTL-CHASSIS FOR ADDITIONAL INFORMATION.
 - (1) SEE WIRING INSTL-FRONT END, FOR ADDITIONAL INFORMATION.
- NOTES:

FOR ELECTRICAL SPECIFICATIONS SEE DWG NO. 128783-01-000

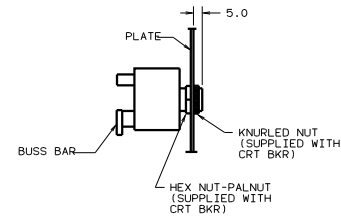
FOR ELECTRICAL CALLOUTS SEE DWG NO. 121339-01-000

98 M36WQ
12 V
265 CODE STANDARDS-CSA
1B1 CODE STANDARDS-USA

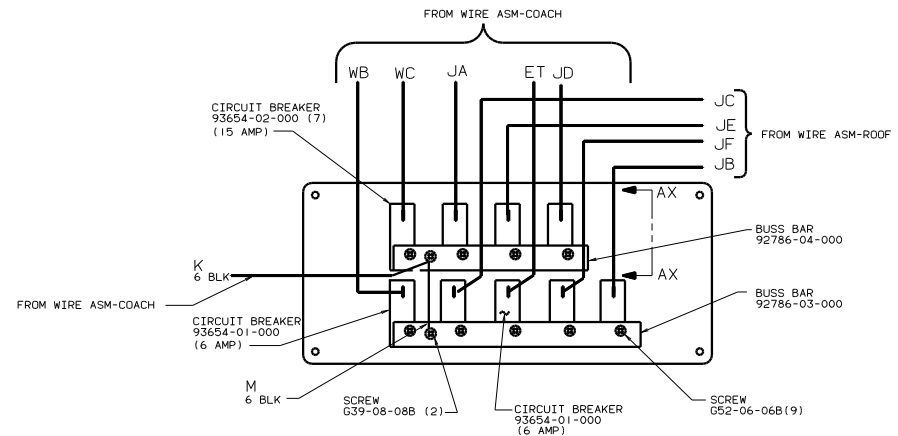
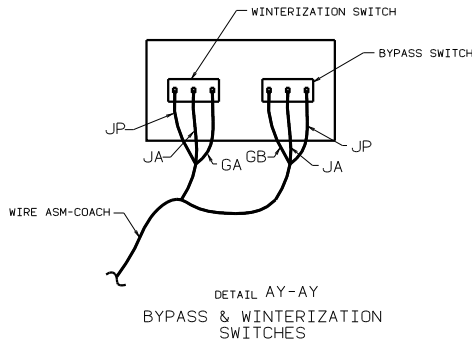
WIRING INSTL-BODY (12 L&R)
SHEET 18 OF 23
126447



CIRCUIT BREAKER
(FRONT VIEW)



SECTION AX-AX

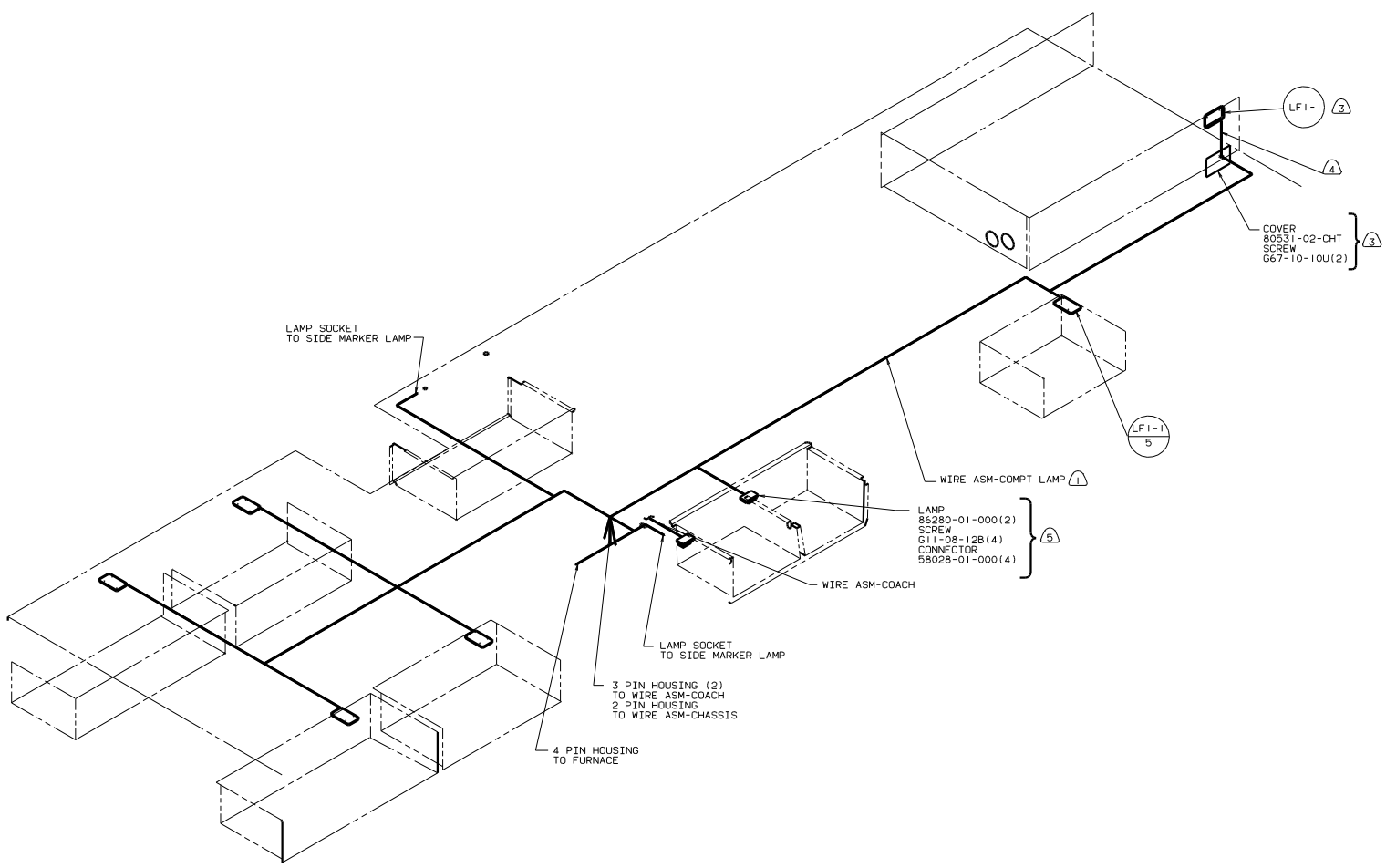


CIRCUIT BREAKER
(BACK VIEW)

FOR ELECTRICAL
TORQUE
SPECIFICATIONS
SEE DWG NO.
128783-01-000

98 M36W0
12V BREAKER PANEL
265 CODE STANDARDS-CSA
IBI CODE STANDARDS-USA

TITLE		WIRING INSTL-BODY(12 BP)	
NO. OF SHEETS	TOTAL SHEETS	DWG. NO.	126447
SHEET 19	OF 23	REV. NO.	



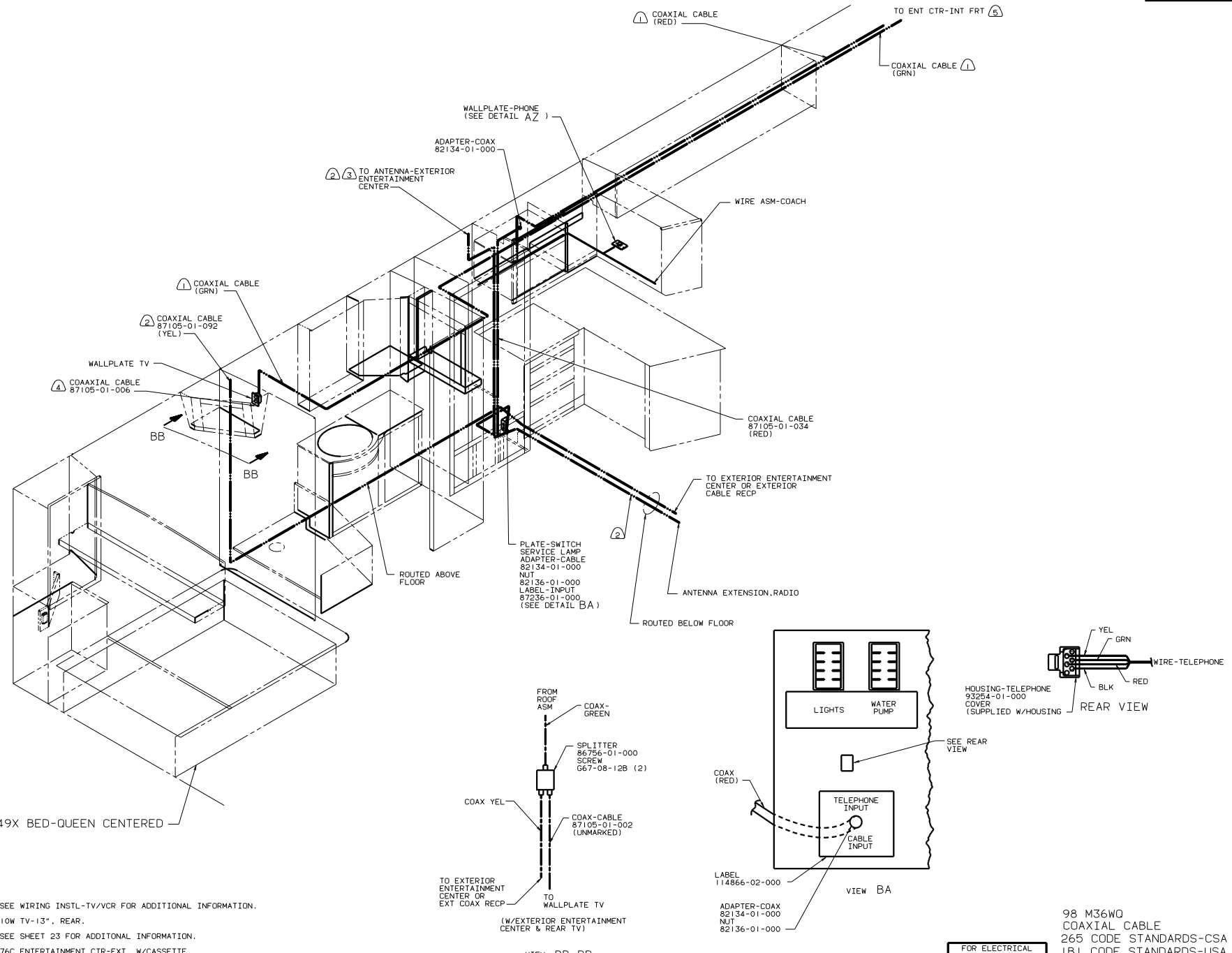
- ⑤ INSTALL AFTER HOLDING TANK BRACKET IS INSTALLED.
- ④ WIRES TO BE ROUTED THRU BED FRAME DURING INSTALLATION.
- ③ 49X BED-QUEEN CENTERED.
- ② LAMPS TO MOUNTED WITH SWITCH OUTBOARD AND 75 FROM EDGE OF FLOOR.
- ① WIRE ASM ROUTED IN FLOOR.

FOR ELECTRICAL TORQUE SPECIFICATIONS SEE DWG NO. 128783-01-000

FOR ELECTRICAL CALLOUTS SEE DWG NO. 121339-01-000

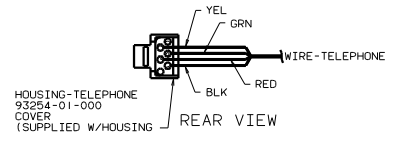
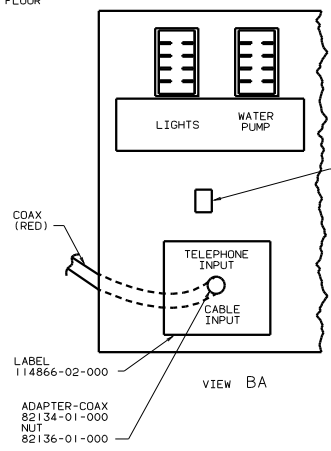
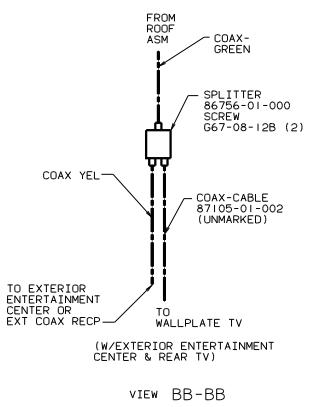
98 M36WQ
COMPARTMENT LAMPS
265 CODE STANDARDS-CSA
1B1 CODE STANDARDS-USA

TITLE: WIRING INSTL BODY(12 CL)	
NO. OF SHEETS: 23	SHEET NO: 20
REV. NO: 1	REV. DATE: 126447



49X BED-QUEEN CENTERED

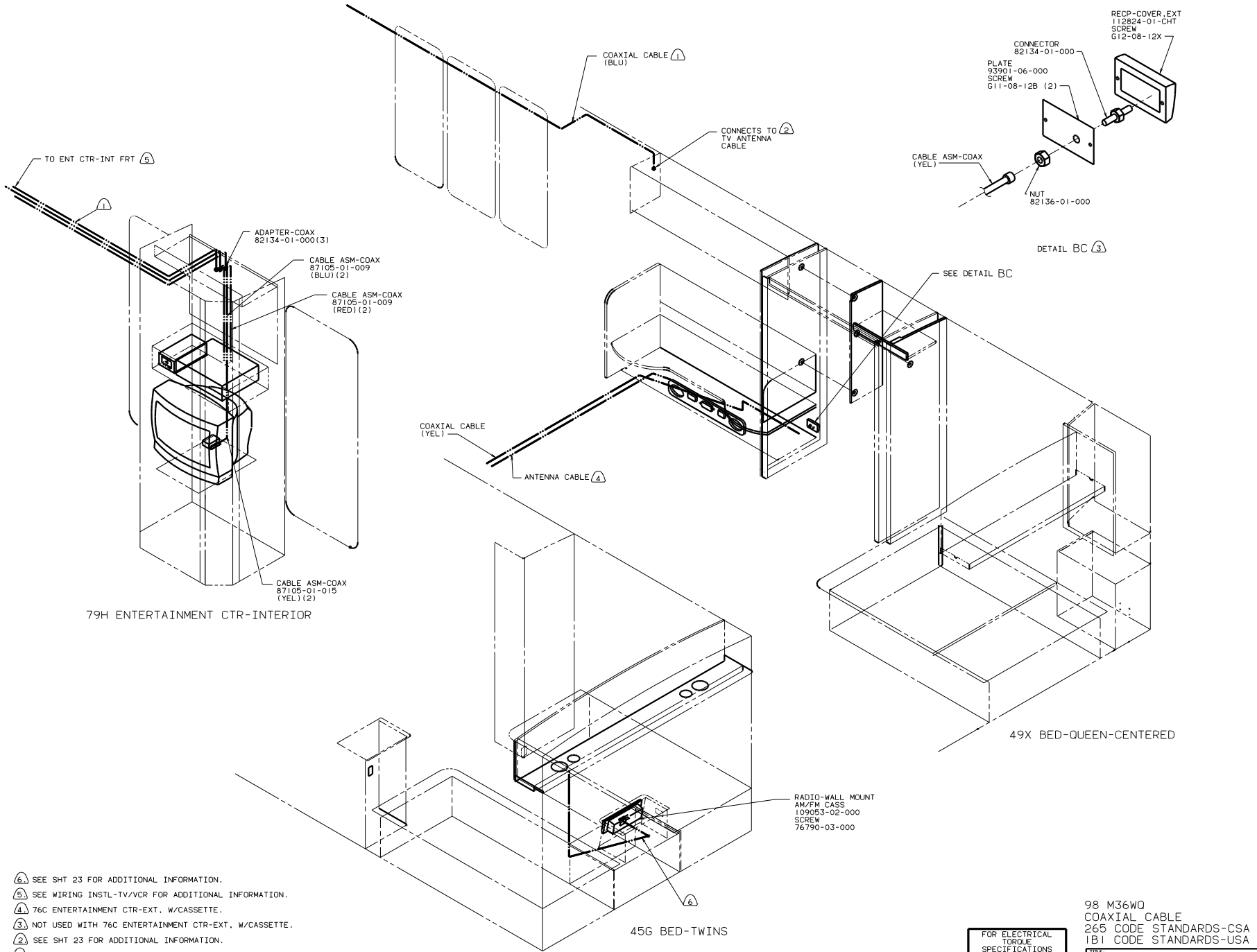
- ⑤ SEE WIRING INSTL-TV/VCR FOR ADDITIONAL INFORMATION.
- ④ 10W TV-13", REAR.
- ③ SEE SHEET 23 FOR ADDITIONAL INFORMATION.
- ② 76C ENTERTAINMENT CTR-EXT. W/CASSETTE.
- ① WIRE IN ROOF



FOR ELECTRICAL TORQUE SPECIFICATIONS SEE DWG NO. 128783-01-000

98 M36W0
COAXIAL CABLE
265 CODE STANDARDS-CSA
1B1 CODE STANDARDS-USA

FILE NO.	126447
DATE	1/88
DWG NO.	126447
SHEET	21 OF 23

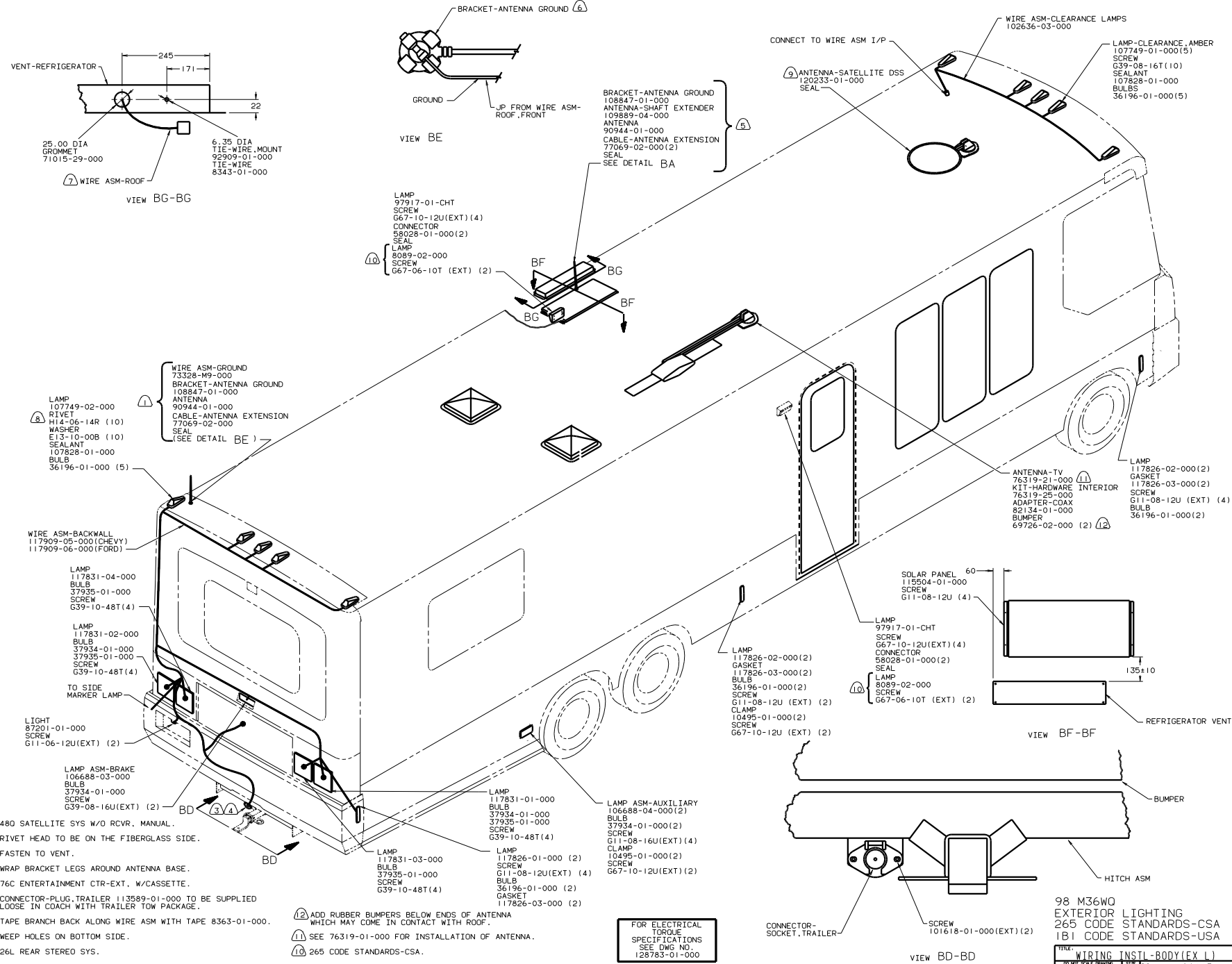


- ⑤ SEE SHT 23 FOR ADDITIONAL INFORMATION.
- ⑤ SEE WIRING INSTL-TV/VCR FOR ADDITIONAL INFORMATION.
- ④ 76C ENTERTAINMENT CTR-EXT. W/CASSETTE.
- ③ NOT USED WITH 76C ENTERTAINMENT CTR-EXT. W/CASSETTE.
- ② SEE SHT 23 FOR ADDITIONAL INFORMATION.
- ① WIRE IN ROOF

FOR ELECTRICAL TORQUE SPECIFICATIONS SEE DWG NO 128783-01-000

98 M36WQ
 COAXIAL CABLE
 265 CODE STANDARDS-CSA
 1B1 CODE STANDARDS-USA

TITLE	WIRING INSTL-BODY(COAX R)
NO. OF SCALE SHEETS	22 OF 23
DATE	1.6
DWG NO	126447



- ④ 480 SATELLITE SYS W/D RCVR. MANUAL.
- ⑤ RIVET HEAD TO BE ON THE FIBERGLASS SIDE.
- ⑥ FASTEN TO VENT.
- ⑦ WRAP BRACKET LEGS AROUND ANTENNA BASE.
- ⑧ 76C ENTERTAINMENT CTR-EXT. W/CASSETTE.
- ⑨ CONNECTOR-PLUG, TRAILER 113589-01-000 TO BE SUPPLIED LOOSE IN COACH WITH TRAILER TOW PACKAGE.
- ⑩ TAPE BRANCH BACK ALONG WIRE ASM WITH TAPE 8363-01-000.
- ⑪ KEEP HOLES ON BOTTOM SIDE.
- ⑫ 26L REAR STEREO SYS.

- ⑬ ADD RUBBER BUMPERS BELOW ENDS OF ANTENNA WHICH MAY COME IN CONTACT WITH ROOF.
- ⑭ SEE 76319-01-000 FOR INSTALLATION OF ANTENNA.
- ⑮ 265 CODE STANDARDS-CSA.

FOR ELECTRICAL TORQUE SPECIFICATIONS SEE DWG NO. 128783-01-000