



**DANGER**

**Danger of electrical shock, burns or death.** Always remove all power sources before attempting any repair, service or diagnostic work. Power can be present from shore power, generator, inverter or battery. All power sources must be disabled and secured before performing any service.

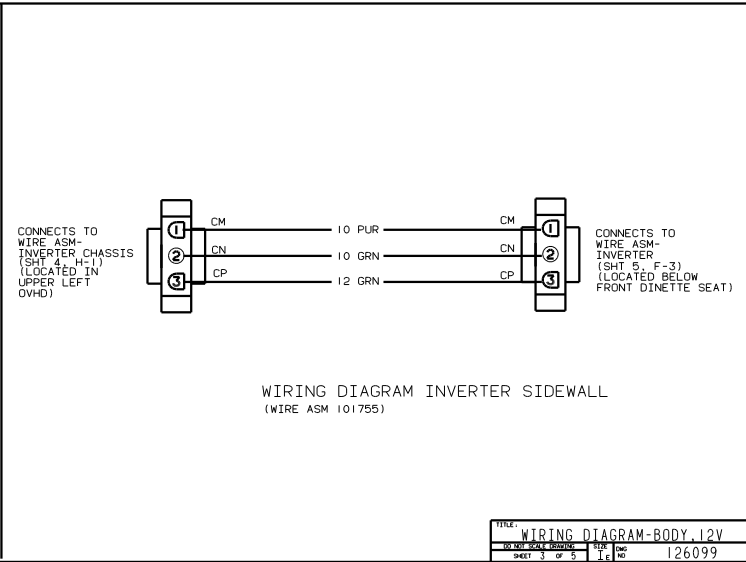
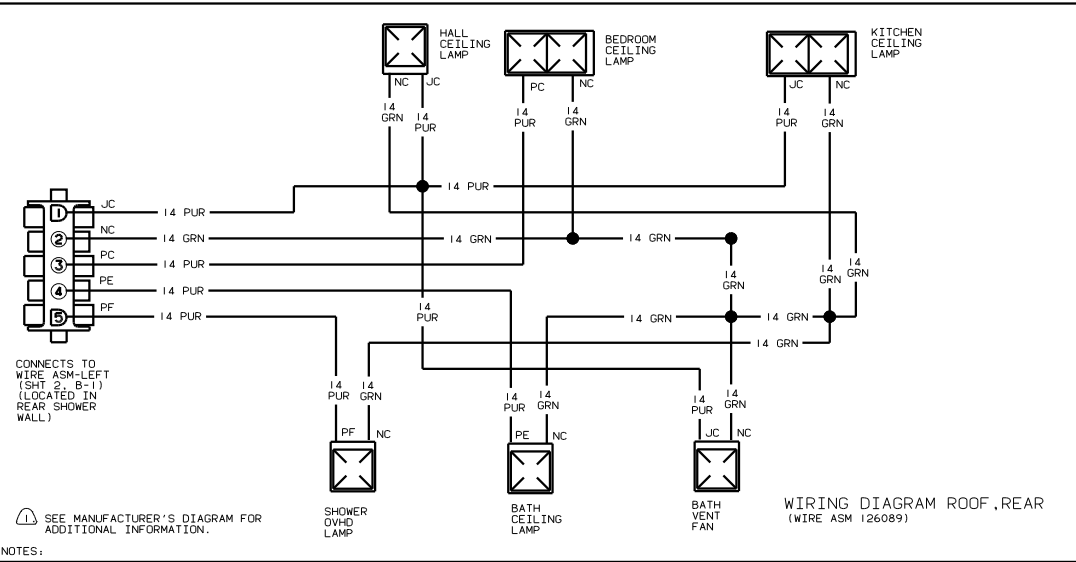
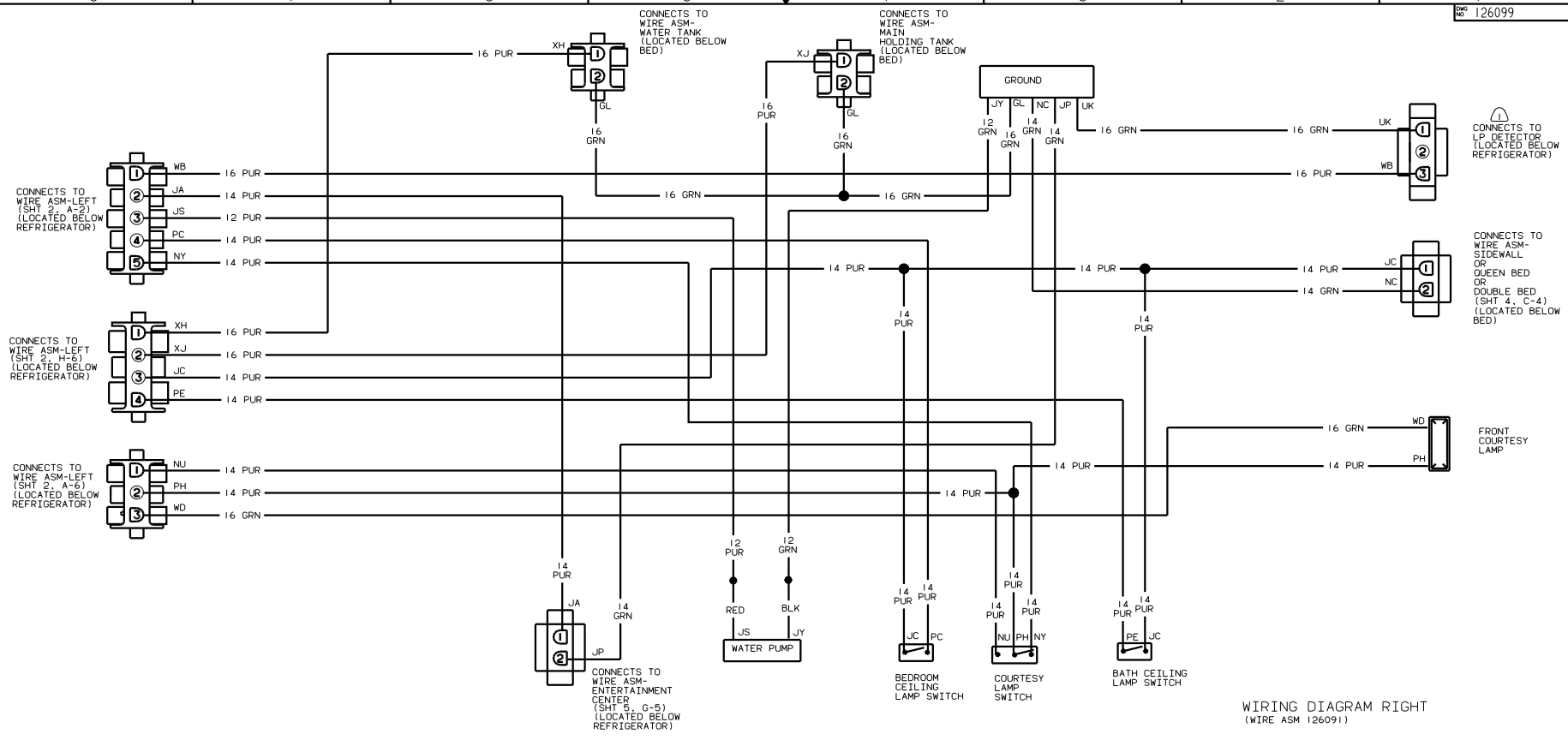


**CAUTION**

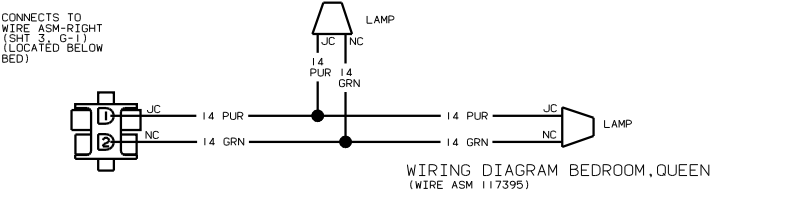
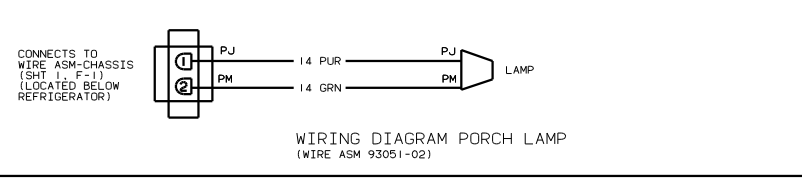
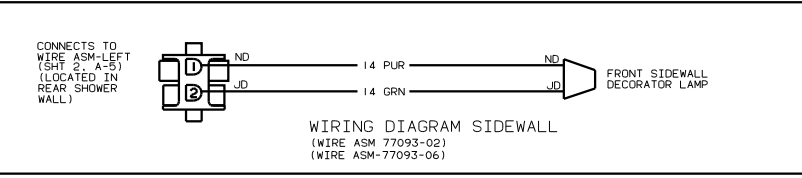
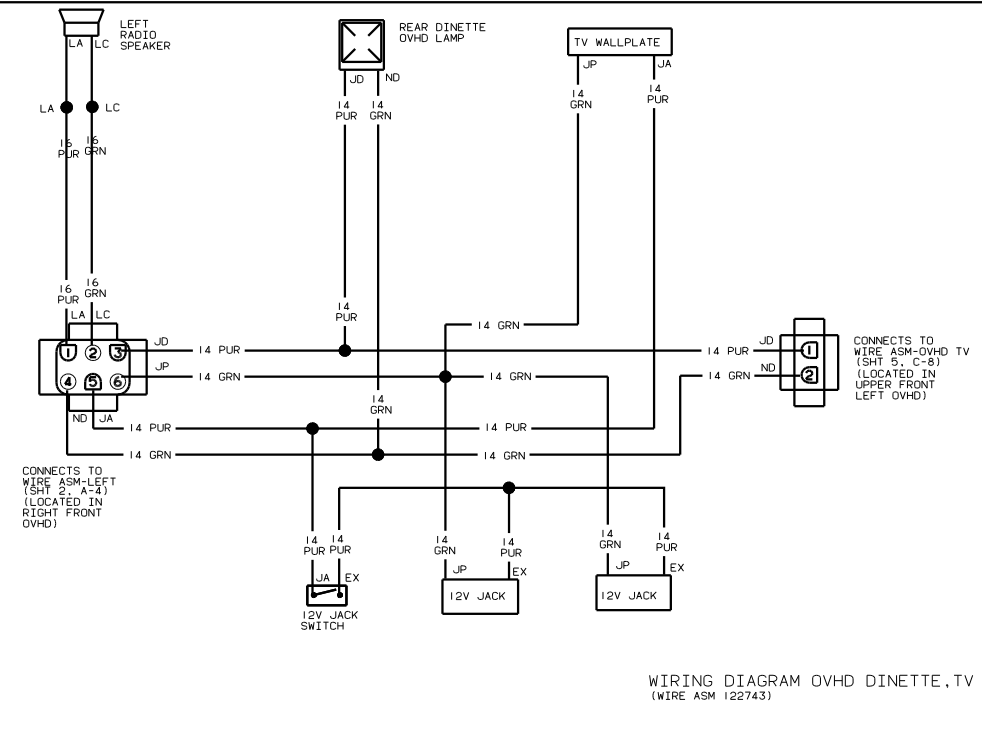
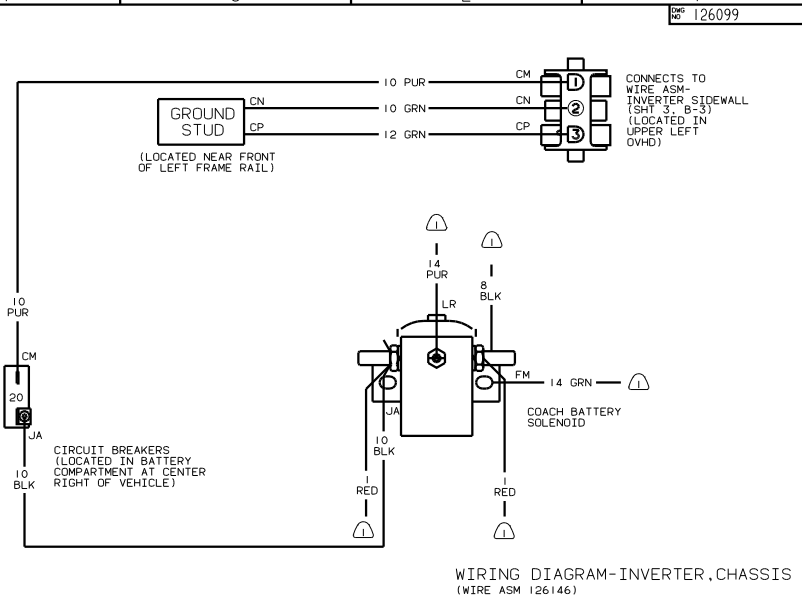
If you lack the skills, tools or equipment to perform diagnostic or repair work leave such work to an authorized Winnebago Industries dealer or other qualified shop.







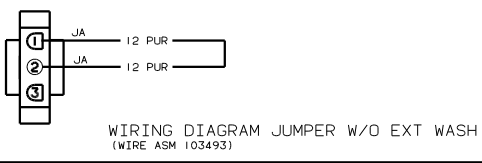
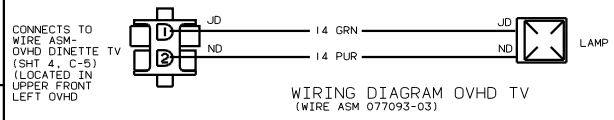
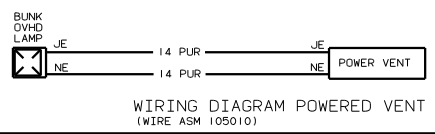
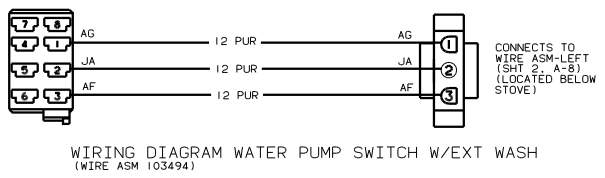
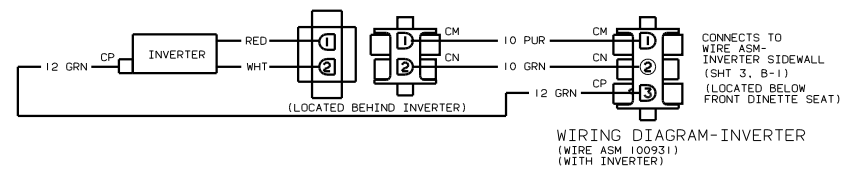
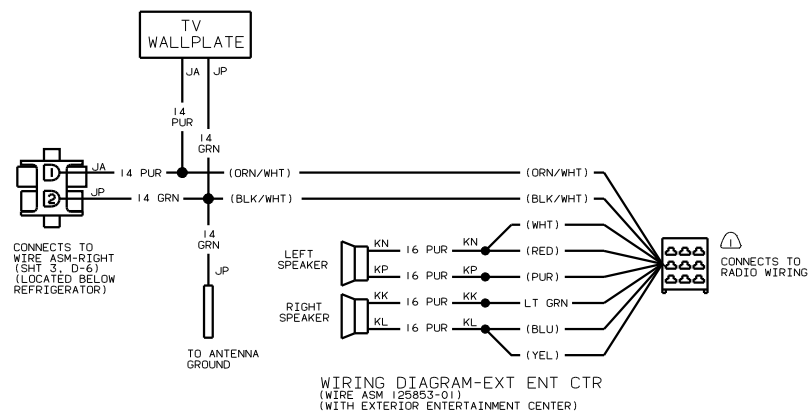
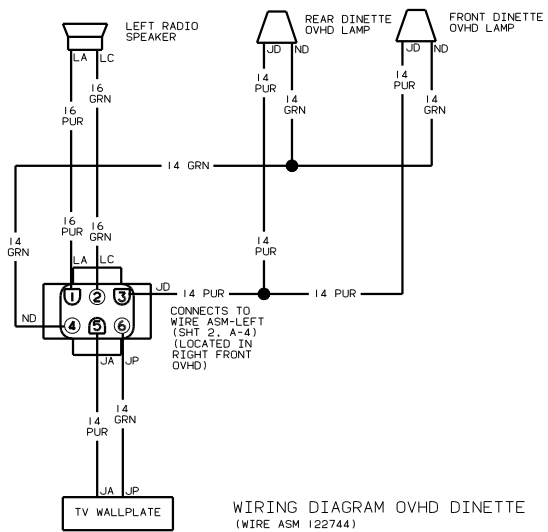
NOTES:  
 ⚠ SEE MANUFACTURER'S DIAGRAM FOR ADDITIONAL INFORMATION.



NOTES: SEE WIRING DIAGRAM-CHASSIS, SHT 1, C-5 FOR ADDITIONAL INFORMATION.

98 329W0

TITLE: WIRING DIAGRAM-BODY, 12V	
30 DAY SCALE DRAWING	DATE: 1/6
SHEET 4 OF 5	FIG. NO. 126099



SEE MANUFACTURER'S DIAGRAM FOR ADDITIONAL INFORMATION.