



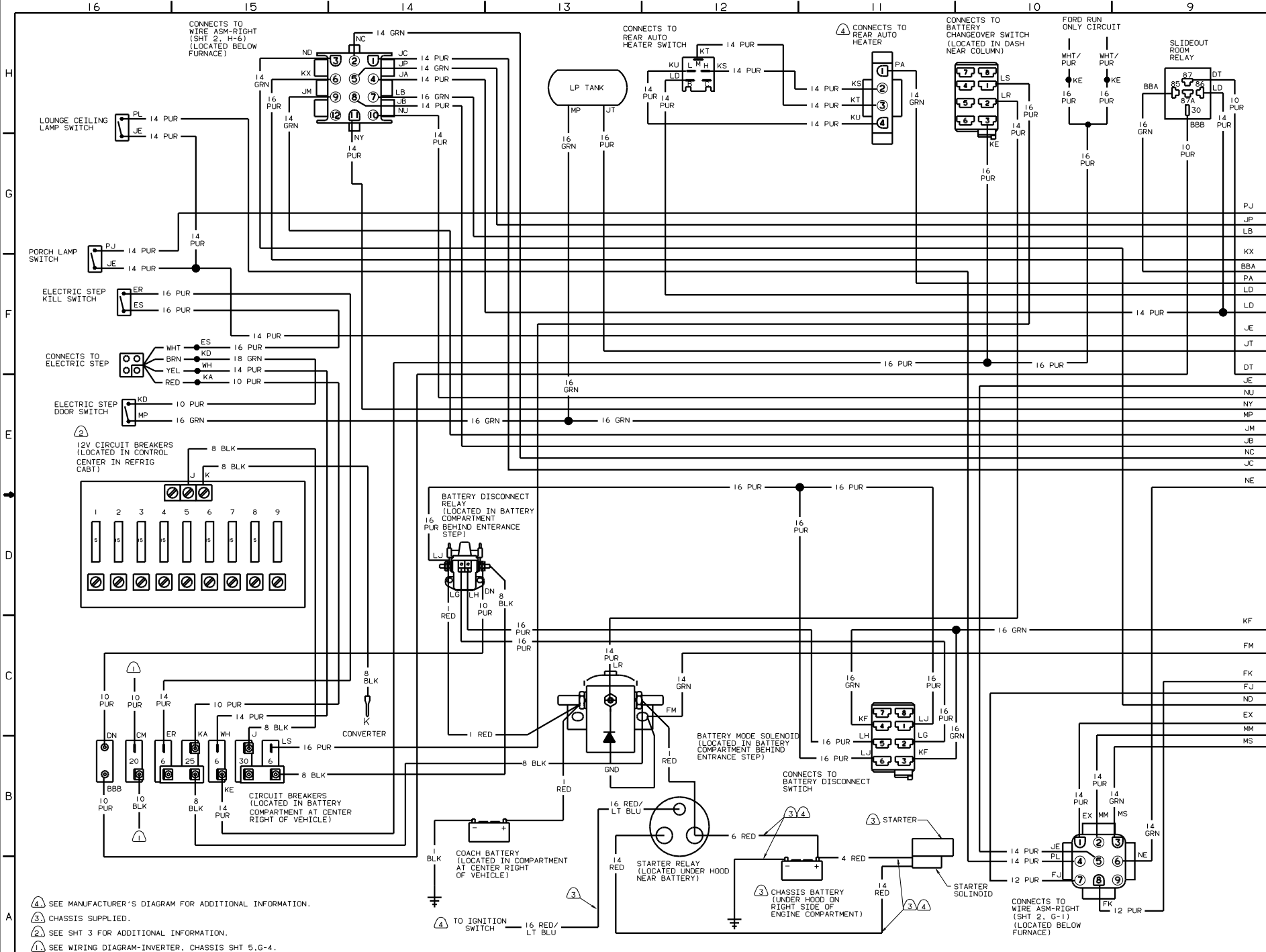
DANGER

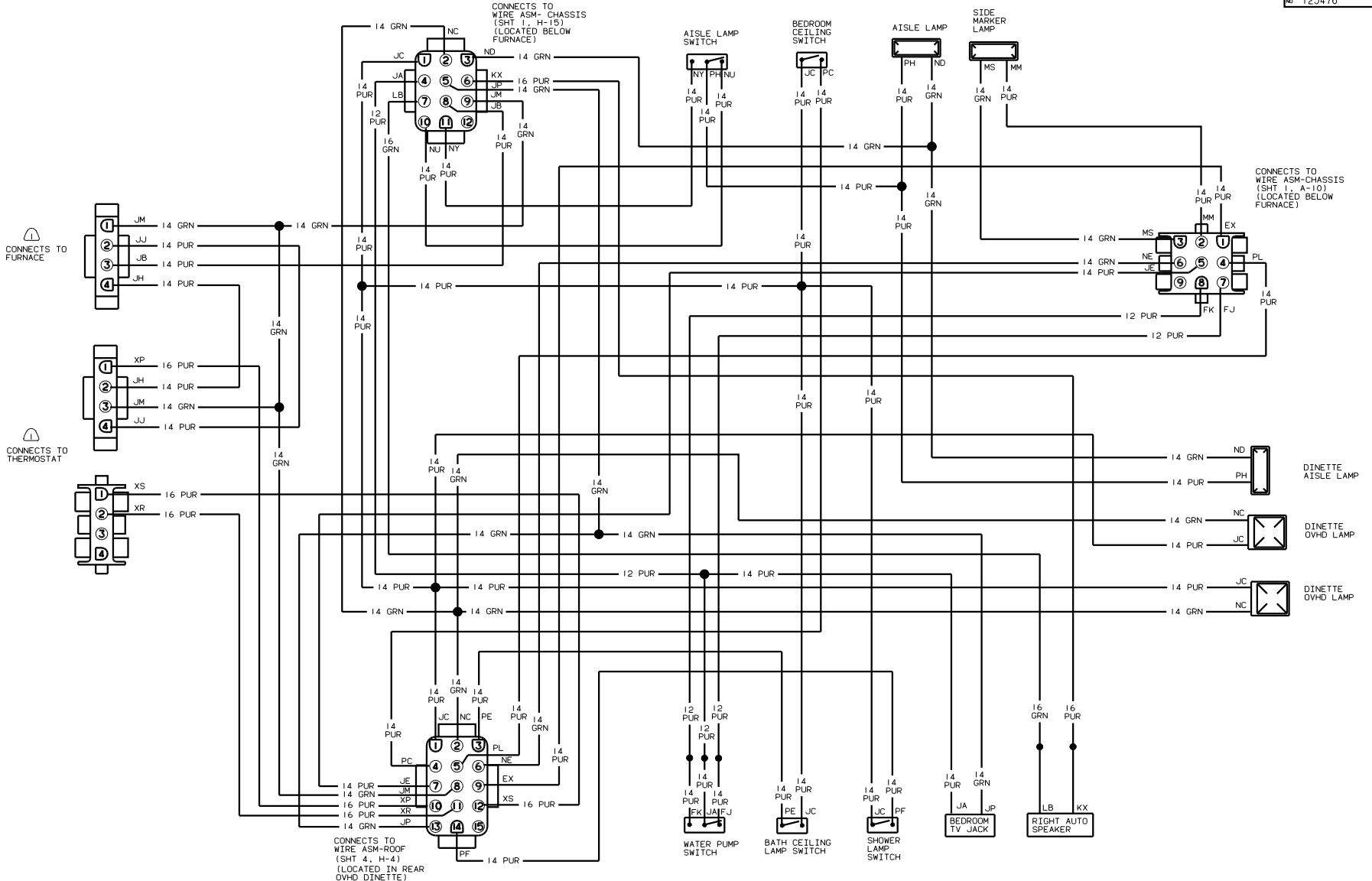
Danger of electrical shock, burns or death. Always remove all power sources before attempting any repair, service or diagnostic work. Power can be present from shore power, generator, inverter or battery. All power sources must be disabled and secured before performing any service.



CAUTION

If you lack the skills, tools or equipment to perform diagnostic or repair work leave such work to an authorized Winnebago Industries dealer or other qualified shop.

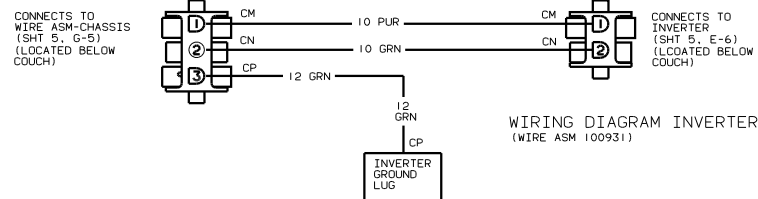
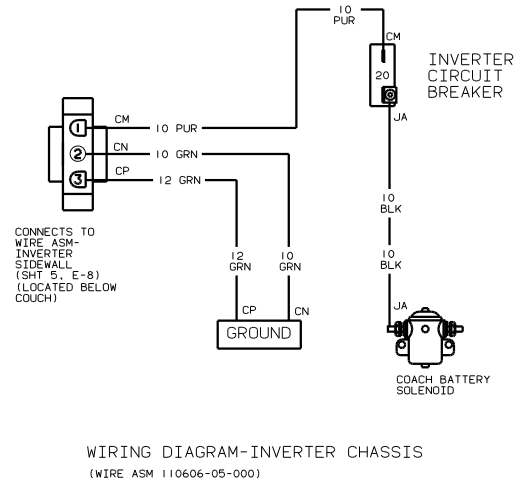
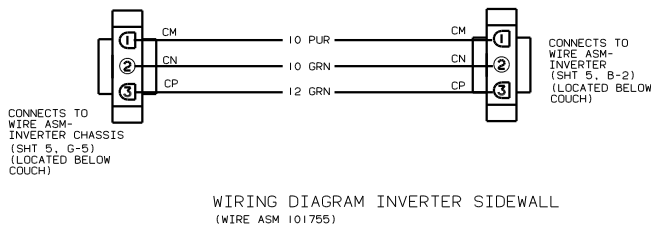
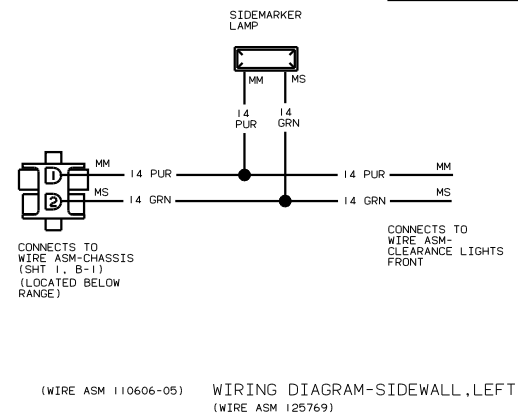
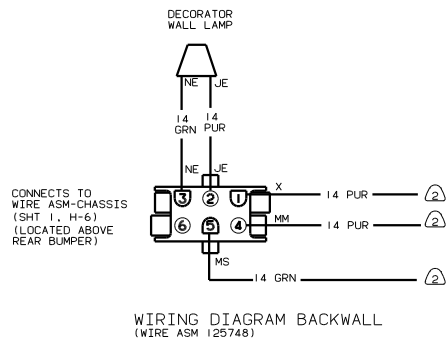
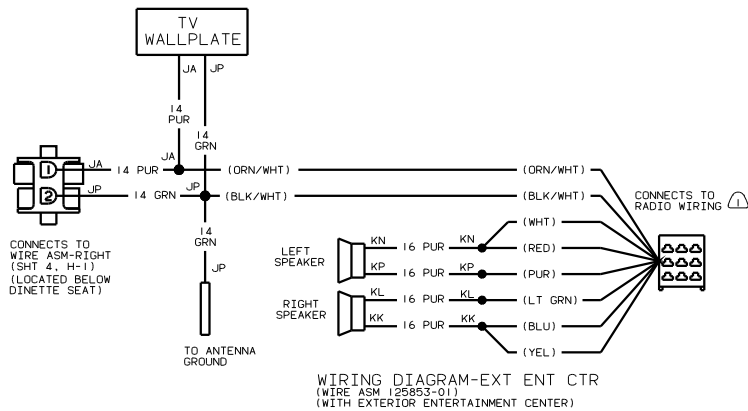




WIRING DIAGRAM RIGHT
(WIRE ASM 125478)

SEE MANUFACTURER'S DIAGRAM FOR ADDITIONAL INFORMATION.

NOTES:



- NOTES:
- (2) SEE WIRING DIAGRAM AUTO LAMPS.
- (1) SEE MANUFACTURER'S DIAGRAM FOR ADDITIONAL INFORMATION.

98 431WS

TITLE: WIRING DIAGRAM-BODY, 12V
 SHEET 5 OF 5