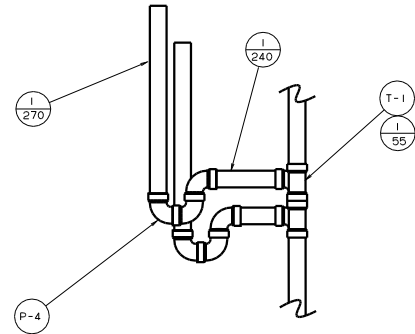
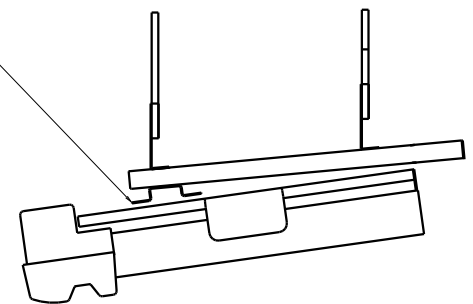


USE WITH WASHER/DRYER OR DISHWASHER



USE WITH WASHER/DRYER & DISHWASHER

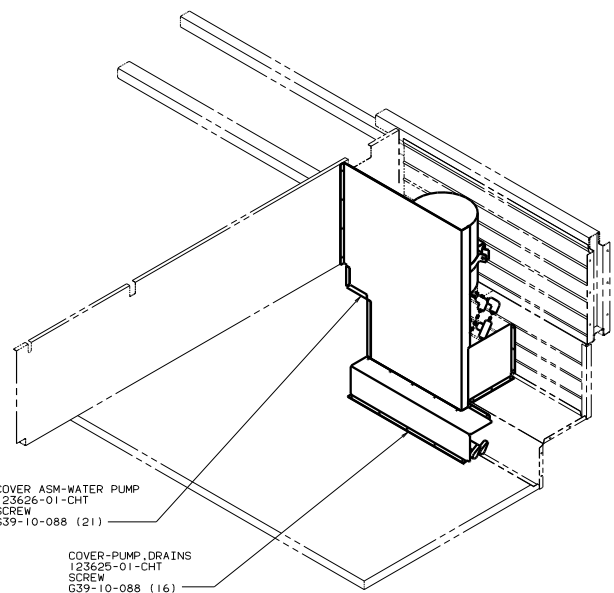
FASTEN TELESCOPING DRAIN WITH CLAMP AND SUPPLIED HARDWARE TO SUPPORT ASM UNDER SEWER COMPT



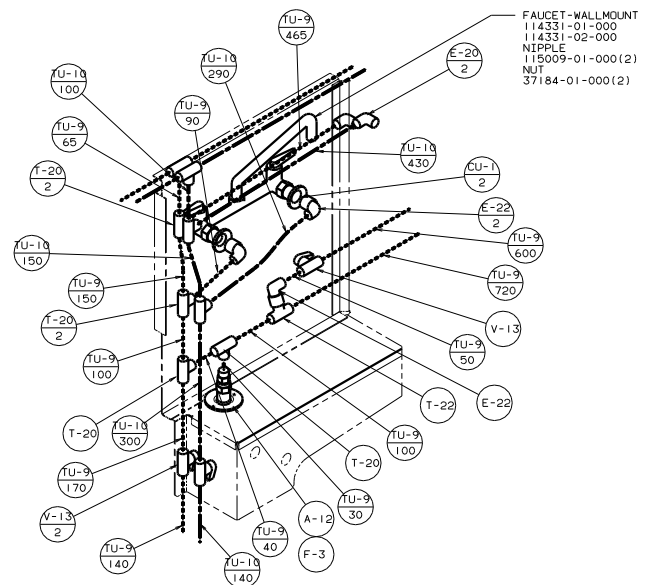
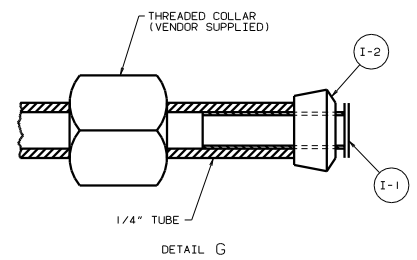
VIEW A-A

WASHER/DRYER
97 Q37W0

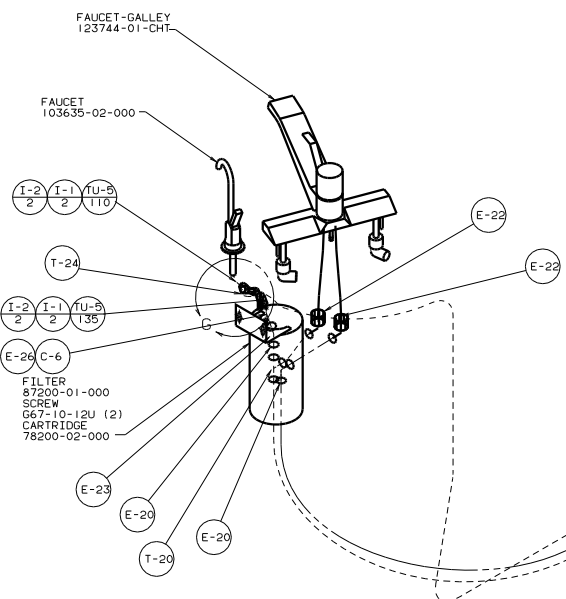
| | |
|------------------------------|--------------|
| TITLE: DRAINAGE SYSTEM INSTL | |
| DO NOT SCALE DRAWING | FIG. NO. 1.6 |
| SHEET 2 OF 2 | 123497 |



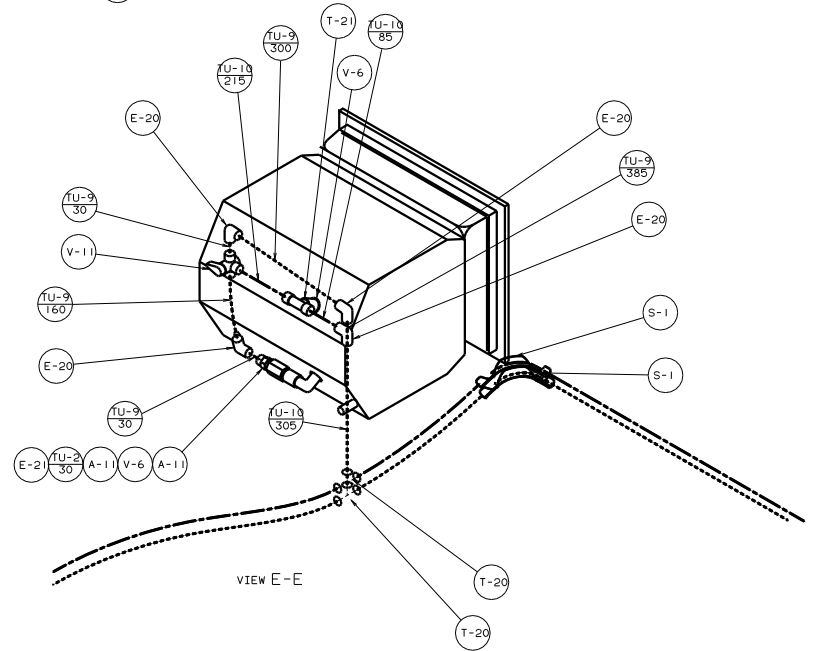
VIEW D-D



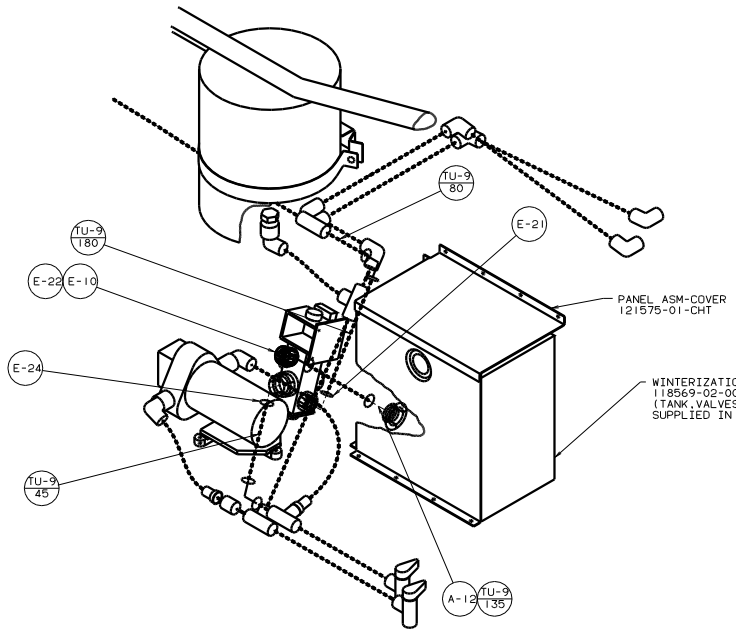
VIEW C-C



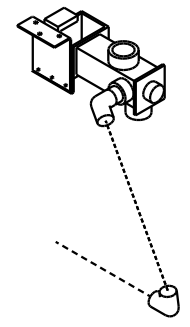
DETAIL F



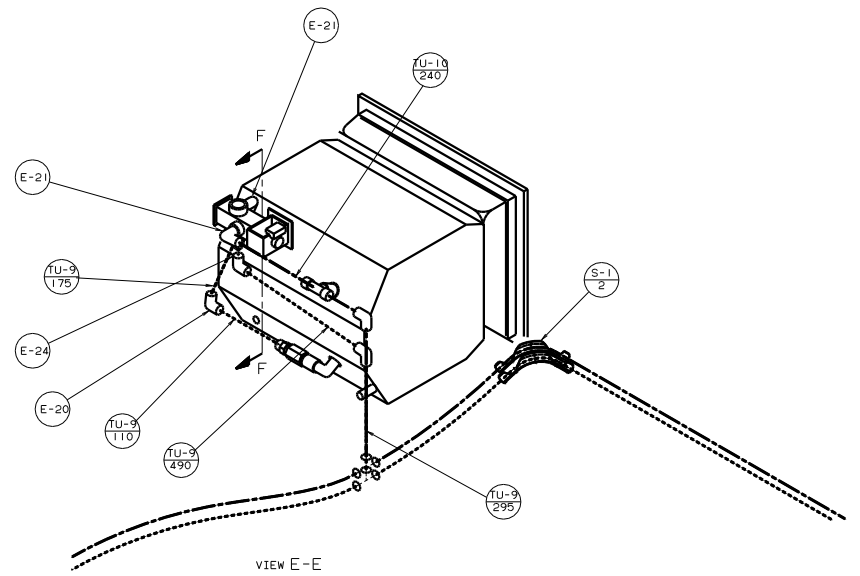
VIEW E-E



VIEW A-A



VIEW F-F



VIEW E-E

97 037WQ
WINTERIZATION SYSTEM

| | | | |
|--------------------|--------------|--------|------|
| TITLE | | 123628 | |
| WATER SYSTEM INSTL | | 123628 | |
| NO. OF SHEETS | TOTAL SHEETS | DATE | REV. |
| 4 | 4 | | 1 |
| SHEET 4 OF 4 | | 123628 | |