

SINK
91244-02-000
STRAINER
92303-01-000 (2)
ANGLE-SINK RETAINER
83699-15-CHT (2)
83699-16-CHT (3)
SCREW
667-06-10U (18)

TANK-HOLDING, 62 GAL
117289-04-000

TANK-HOLDING, 58 GAL
124172-02-000

SHOWER INSTL
123806-02-XXX

(12) (160)
(13) (200)
(1) (60)
(1) (1134)
(1) (160)
(1) (200)
(1) (315)
(1) (360)
(1) (40)
(1) (1845)

TAILPIECE
11069-06-000
P-TRAP ADAPTER
107537-01-000
DRAIN
120981-01-CHT (US)
STRAINER
66729-01-000 (CAN)
NUT-STRAINER
66435-01-000

ADAPTER-FEMALE-PLAS 1 1/2H X 1 1/4FT
31602-02-000

WASTE-CONT
91980-01-000
91980-02-000

SINK-LAVATORY
113539-02-CHT

FRONT AXLE
E-6

(13) USE WITH CSA.
(12) USE WITH US.
(11) USE WITH DISHWASHER.

10. SECURE VENT TUBES TO FLOOR WITH BRACKET 95061-01-000(2), CLAMP 62401-02-000, PLATE COVER 94346-03-000, SCREW 667-10-128(2), AND STAPLE 5403-03-000.

(9) VENT PIPE MUST PROJECT 51 MM MIN AND 63.5 MM MAX ABOVE ROOF FOR PROPER FIT AND FUNCTION.

8. SEE DWG 61607-01-000 FOR INSTL OF GROMMETS.

7. SEAL ALL AROUND SHOWER WITH SILICONE.

6. FOR CAN UNITS EACH HOLDING TANK SHALL HAVE A CSA APPROVAL STAMPED NEAR THE IAMPO APPROVAL.

5. EXPOSED PIPE ABOVE ROOF TO BE PAINTED 37163-01-000.

4. ALL EXTERIOR OPENINGS AROUND PIPE TO BE SEALED WITH 69637-01-000.

3. ALL PIPE AND FITTINGS TO BE ASSEMBLED WITH SOLVENT 4020-01-000.

2. SLOPE OF TRAP ARM MUST BE 6 PER 305.

1. SLOPE OF HORIZONTAL PIPING TO BE 6 PER 305 MIN.

NOTES:

DRAIN-TELESCOPING
CLAMP
62401-09-000
HOSE-DRAIN
114191-03-000

C-2
A-1
(1) (130)
E-5
2
V-9
A-6

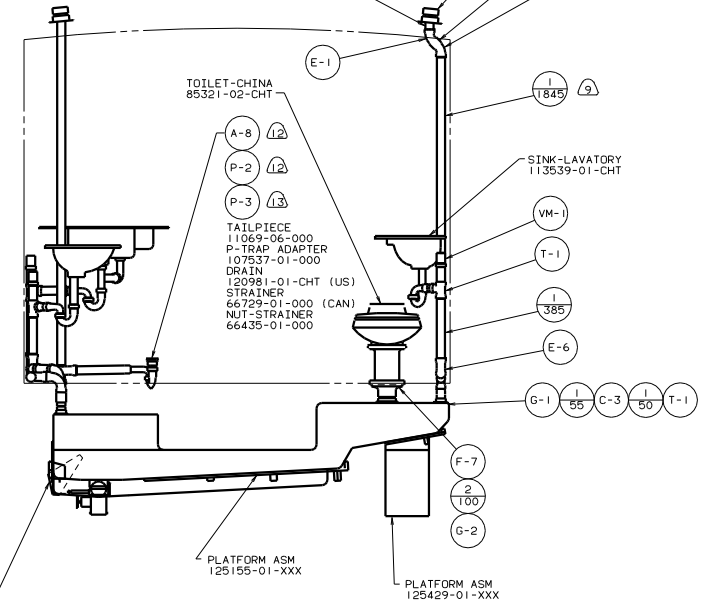
G-1 (1) (55) C-3 (1) (120) E-6 (1) (245)

PL-2 PL-1 (13) (12)
T-1 (1) (310)

C-3 (1) (120) T-1 (1) (50)

CP-2 (1) (1935)

VM-1 (1) (160)
P-3 (1) (13)
P-2 (1) (12)
A-8 (1) (12)



TOILET-CHINA
85321-02-CHT

TAILPIECE
11069-06-000
P-TRAP ADAPTER
107537-01-000
DRAIN
120981-01-CHT (US)
STRAINER
66729-01-000 (CAN)
NUT-STRAINER
66435-01-000

PLATFORM ASM
125155-01-XXX

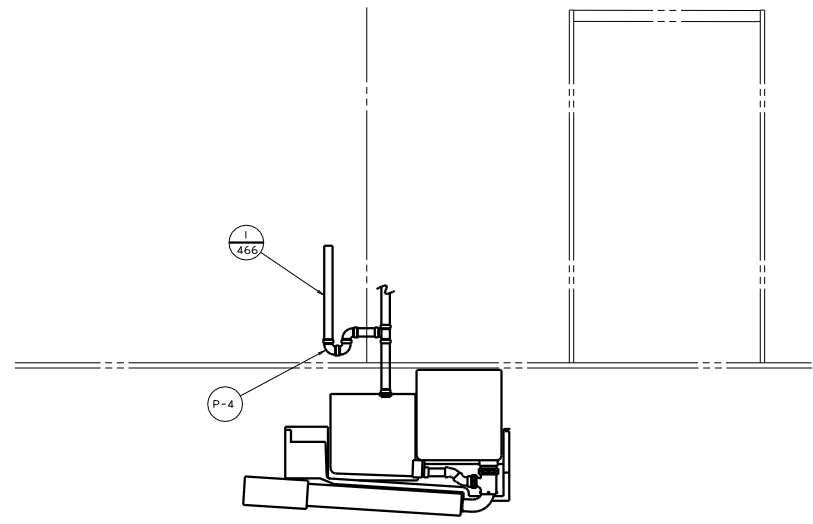
PLATFORM ASM
125429-01-XXX

HANGER ASM
117563-01-CHT
BOLT-J, 3/8-16X12.0"
91274-03-000 (3)
NUT-SER FLG
D39-06-00B (3)

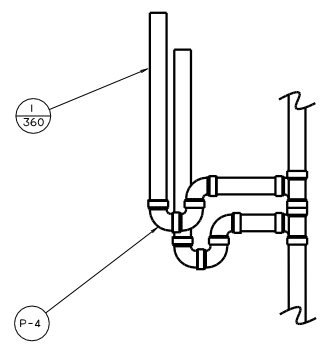
FOR DRAINAGE CALLOUTS SEE DWG NO. 116229-01-000

WINNEBAGO 97 Q37WP

Table with columns for QTY, PART, DATE, and DIMENSIONS. Includes a 'REVISION RECORD' table with columns for REV, DATE, and DESCRIPTION. Also includes a 'DRAWING INFORMATION' table with fields for DRAWING NO, SHEET, and SCALE.

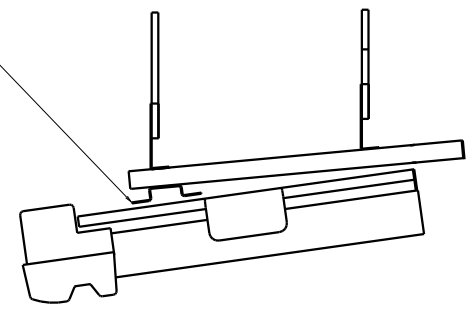


USE WITH WASHER/DRYER OR DISHWASHER



USE WITH WASHER/DRYER & DISHWASHER

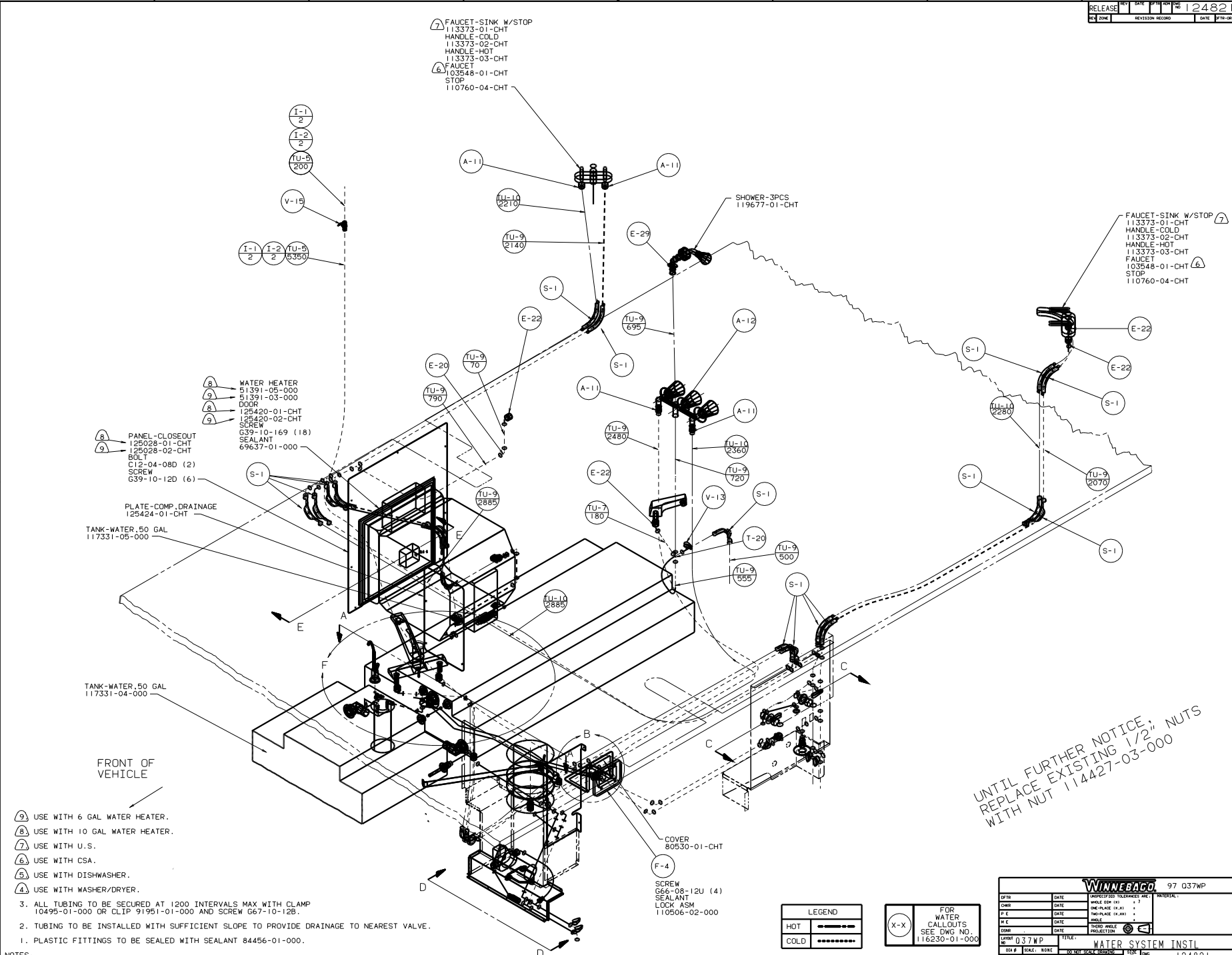
FASTEN TELESCOPING DRAIN WITH CLAMP AND SUPPLIED HARDWARE TO SUPPORT ASM UNDER SEWER COMPT



VIEW A-A

WASHER/DRYER
97 Q37WP

TITLE: DRAINAGE SYSTEM INSTL	
DATE: 11/11/05	FIG. NO: 1.6
SHEET: 2 of 2	DWG. NO: 124790



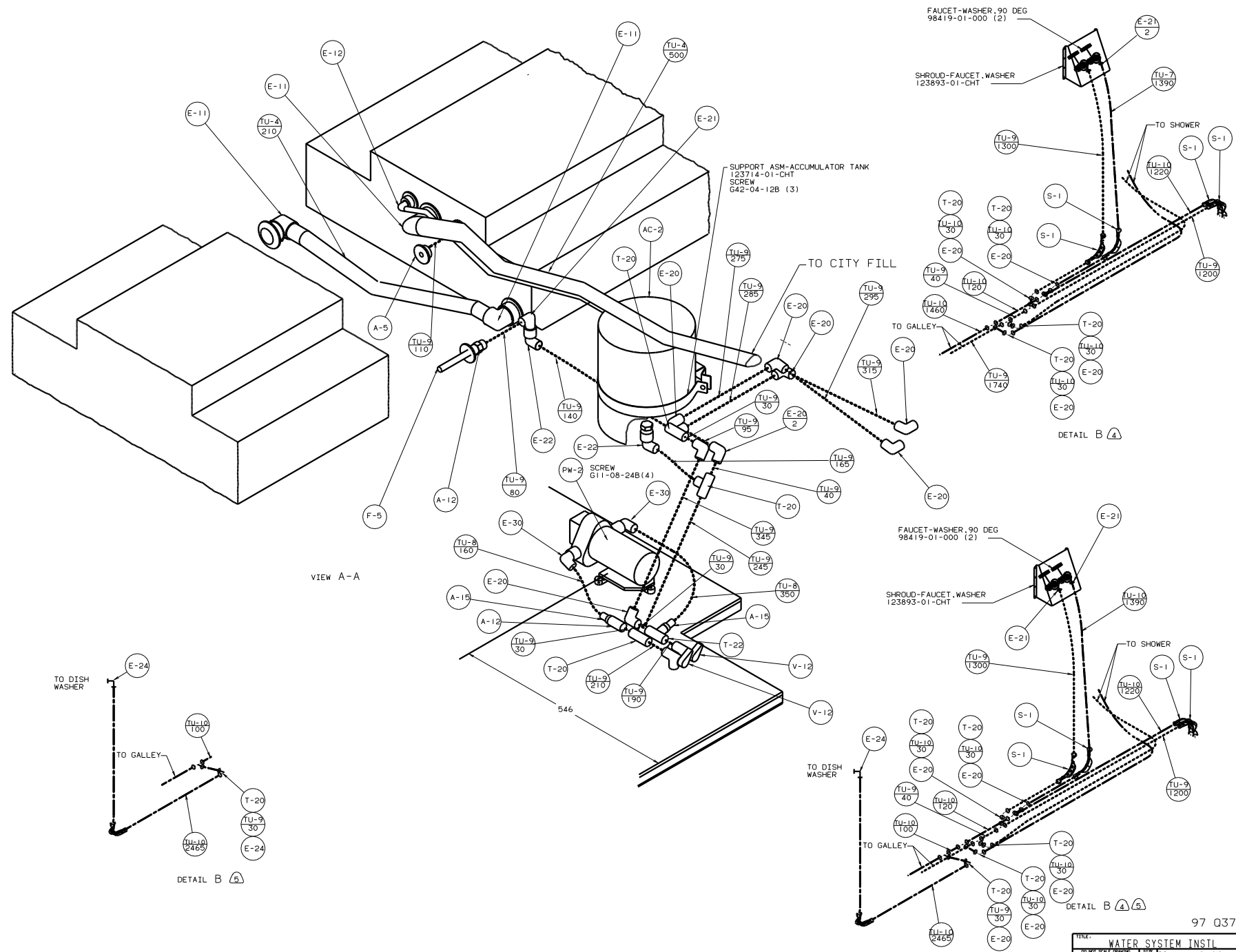
- ⑨ USE WITH 6 GAL WATER HEATER.
 - ⑧ USE WITH 10 GAL WATER HEATER.
 - ⑦ USE WITH U.S.
 - ⑥ USE WITH CSA.
 - ⑤ USE WITH DISHWASHER.
 - ④ USE WITH WASHER/DRYER.
3. ALL TUBING TO BE SECURED AT 1200 INTERVALS MAX WITH CLAMP 10495-01-000 OR CLIP 91951-01-000 AND SCREW G67-10-12B.
 2. TUBING TO BE INSTALLED WITH SUFFICIENT SLOPE TO PROVIDE DRAINAGE TO NEAREST VALVE.
 1. PLASTIC FITTINGS TO BE SEALED WITH SEALANT 84456-01-000.

LEGEND	
HOT	-----
COLD	—————

FOR WATER CALLOUTS SEE DWG NO. 116230-01-000

UNTIL FURTHER NOTICE, REPLACE EXISTING 1/2" NUTS WITH NUT 114427-03-000

WINNEBAGO		97 037WP
DRAWN	DATE	PROPOSED TOLERANCES ARE:
P.E.	DATE	WHOLE DIM (1X)
DATE	DATE	FRACTIONAL DIM (1X)
DATE	DATE	THIRD ANGLE PROJECTION
LAYER 037WP	TITLE	WATER SYSTEM INSTL
DATE	SCALE: NONE	NO. OF SHEETS: 1 OF 4
DATE	ALL DIMENSIONS ARE IN MILLIMETERS	SHEET 1 OF 4
DATE	REF: 123628 B 1	124821



VIEW A-A

DETAIL B (A)

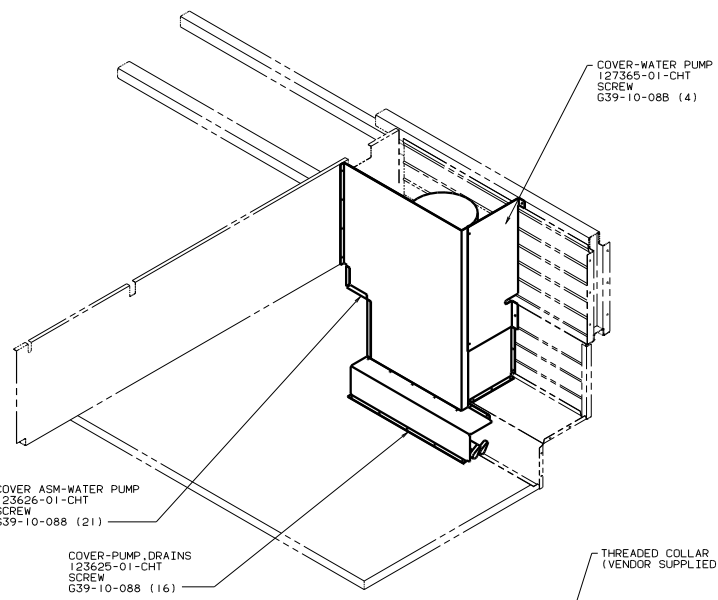
DETAIL B (A)

DETAIL B (B)

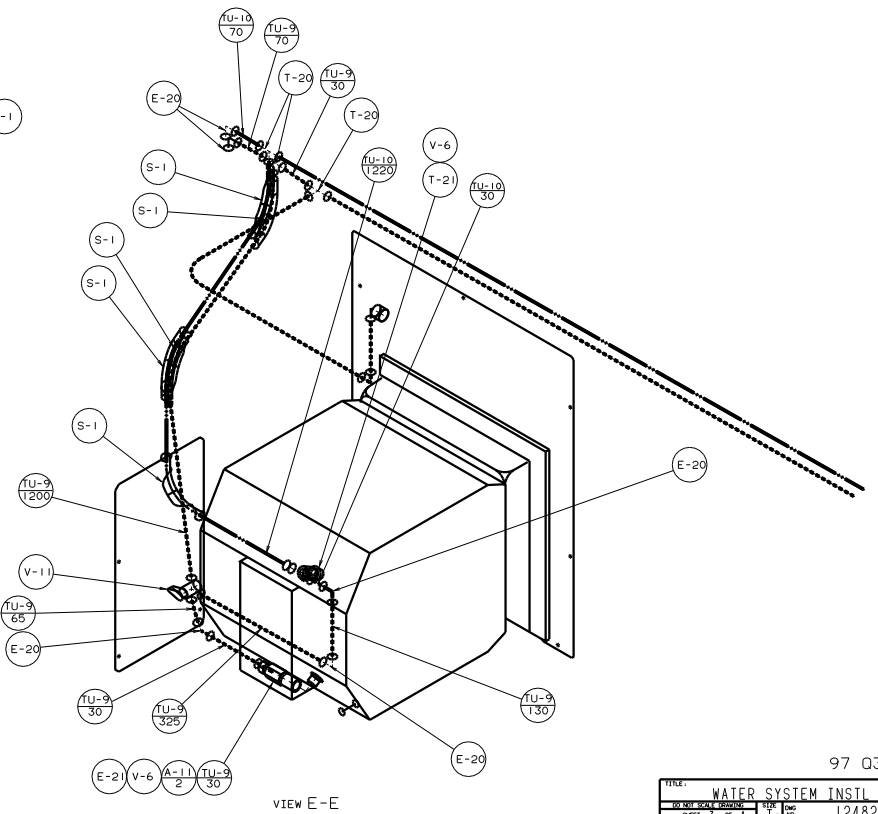
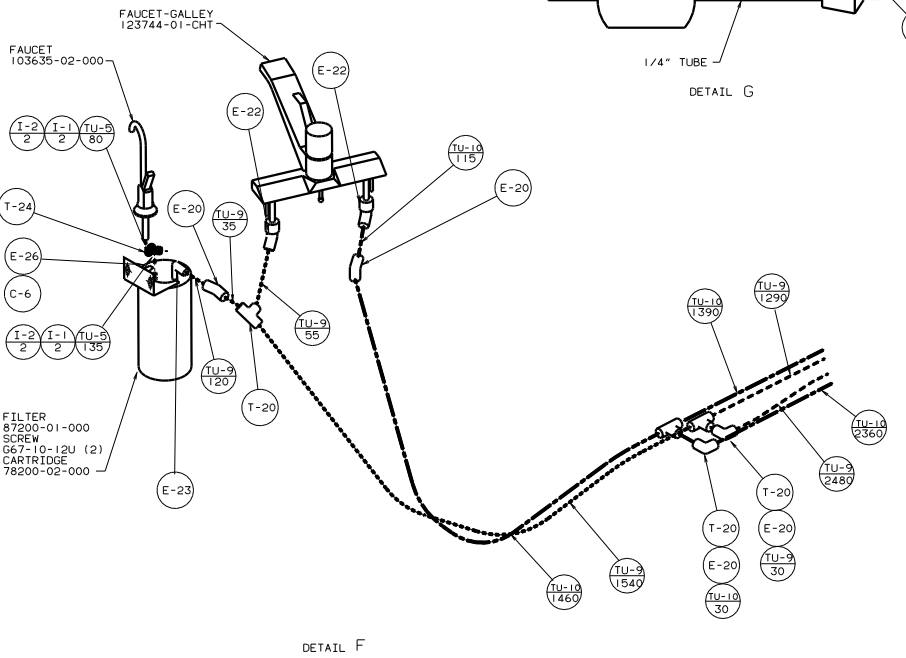
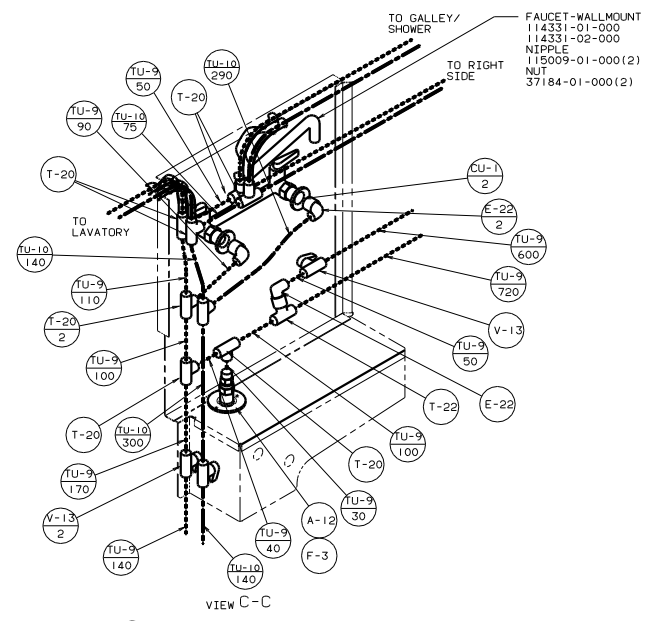
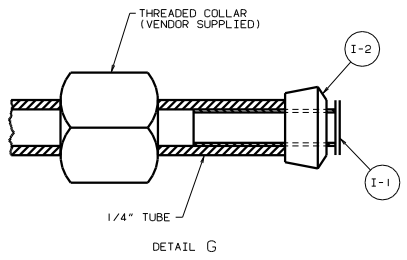
DETAIL B (A) (B)

97 Q37WP

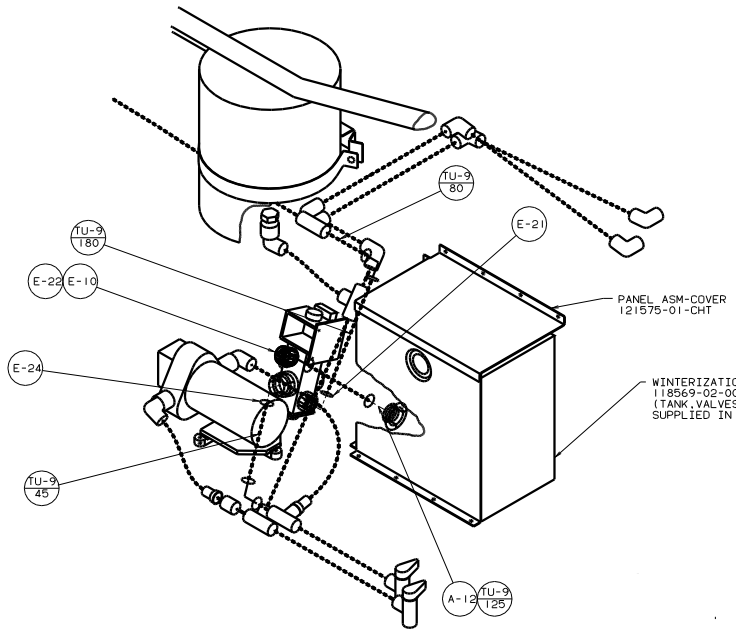
TITLE		WATER SYSTEM INSTL	
NO	REV	DATE	BY
1	1		
SHEET		2 OF 4	



VIEW D-D



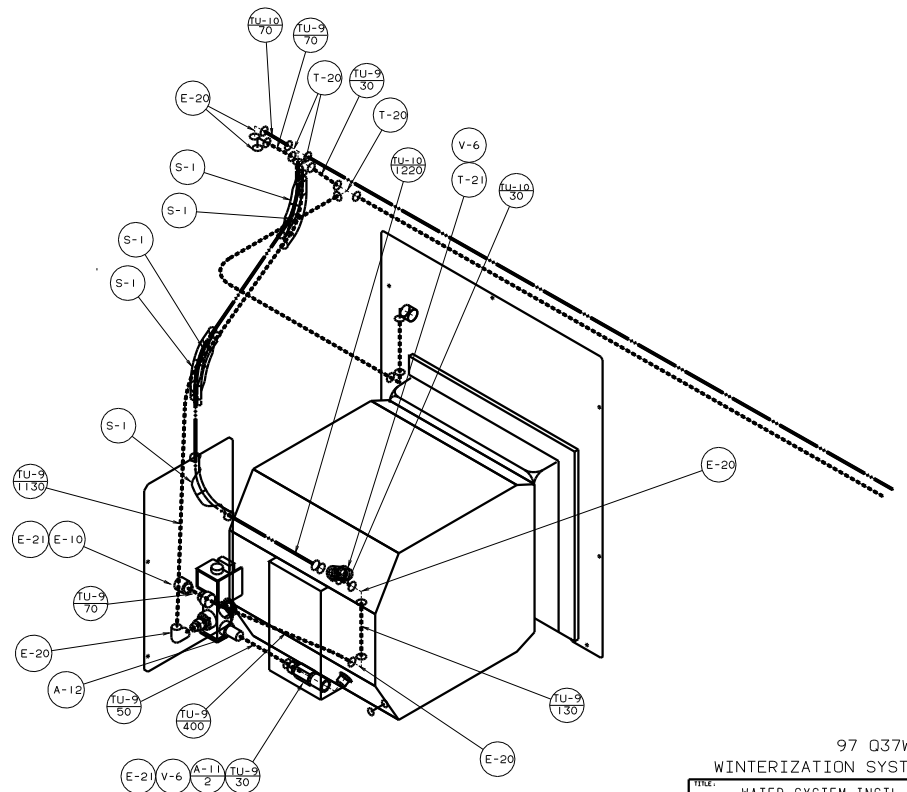
TITLE		97 Q37WP	
WATER SYSTEM INSTL			
NO. OF SHEETS	TOTAL SHEETS	DATE	REV.
3 OF 4	4		1
SHEET		124821	



PANEL ASM-COVER
121575-01-CHT

WINTERIZATION SYSTEM
118569-02-000
(TANK, VALVES, SOLENOID AND SWITCH
SUPPLIED IN KIT)

VIEW A-A



VIEW E-E

97 037WP	
WINTERIZATION SYSTEM	
TITLE WATER SYSTEM INSTL	
30 THE SCALE SHOWN	1/8"
SHEET 4 OF 4	124821