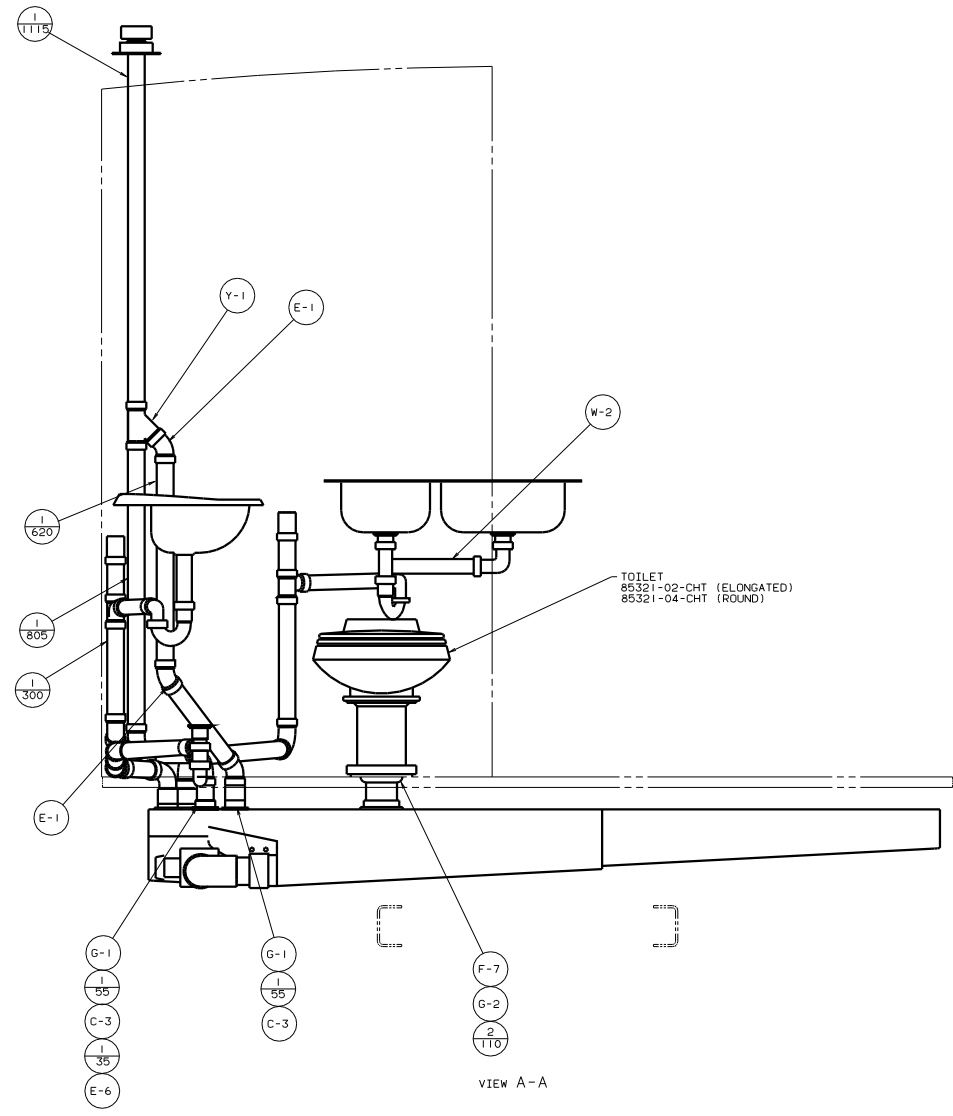


9. NOT USED ON CANADIAN UNITS.
8. APPLY SEAL 98408-01-000 TO BACK OF TUBES TO PREVENT SHORTING OUT OF SENSORS.
7. VENT PIPE MUST BE PROJECTED 51 TO 64 MAXIMUM ABOVE ROOF FOR PROPER FIT AND FUNCTION.
6. SEE DRAWING 61607-01-000 FOR INSTALLATION OF GROMMET.
5. SEAL ALL AROUND SHOWER WITH SILICONE 78474-01-CHT.
4. FOR CANADIAN UNITS EACH HOLDING TANK SHALL HAVE A CSA APPROVAL STAMPED NEAR IAPMO APPROVAL.
3. ALL PIPE AND FITTINGS TO BE ASSEMBLED WITH SOLVENT 4020-01-000.
2. SLOPE OF TRAP MUST BE 6 PER 300 MINIMUM.
1. SLOPE OF HORIZONTAL PIPING TO BE 6 PER 300 MINIMUM.

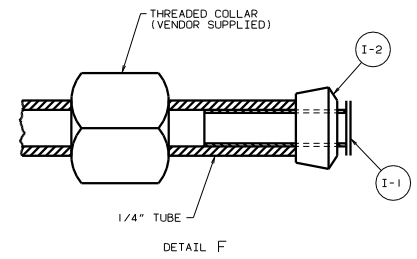
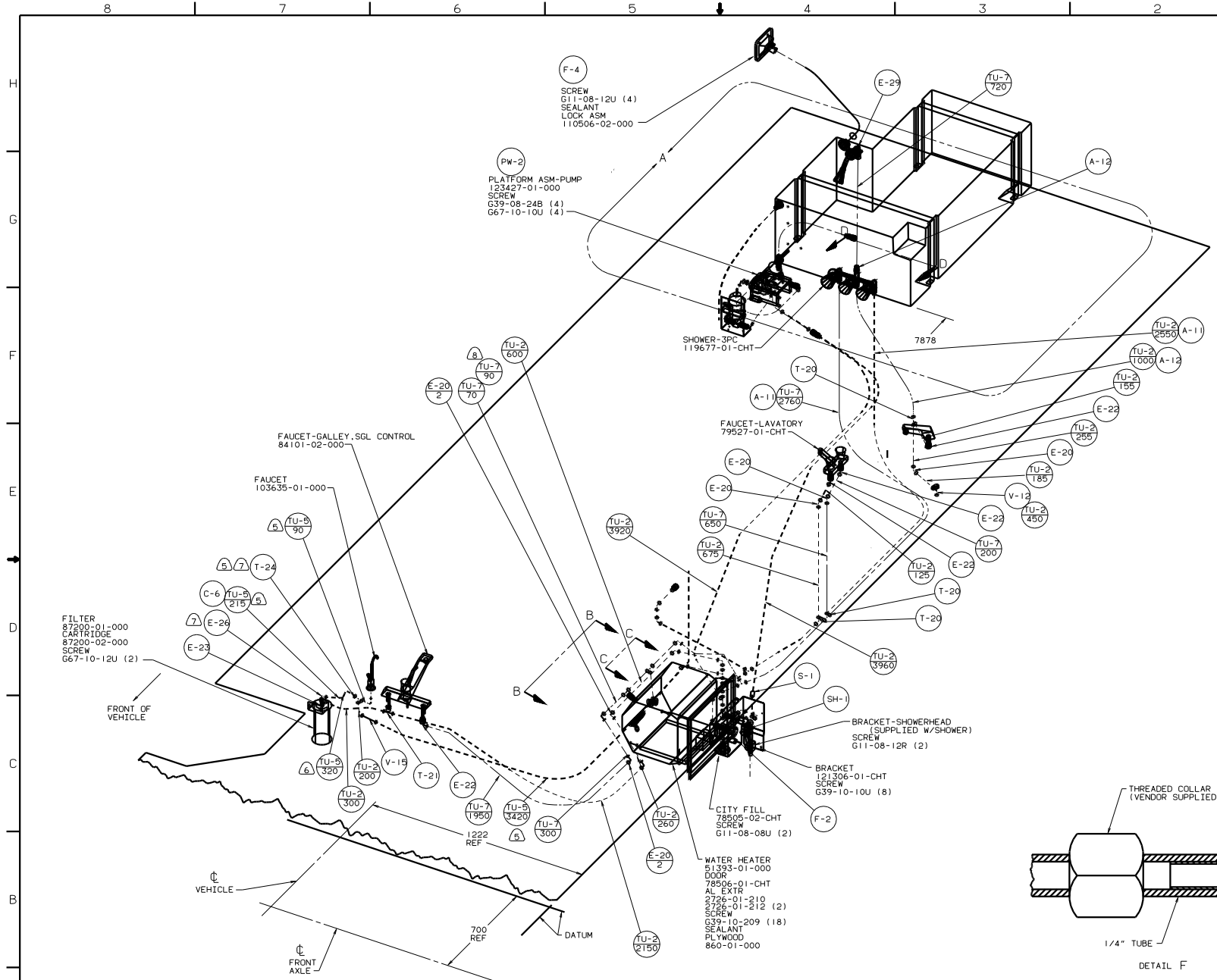
X-X FOR DRAINAGE CALLOUTS SEE DWG NO. 116229-01-000

M36W7		DRAINAGE SYSTEM INSTL	
REV	SCALE	NO	DATE
1		1	12/23/97
MATERIAL		97 M36W0	
QTY	DATE	UNSPECIFIED TOLERANCES ARE:	
CHD	DATE	UNLESS OTHERWISE SPECIFIED	
DR	DATE	ONE-PLACE (R, A1)	
PL	DATE	TWO-PLACE (R, A2)	
FIN	DATE	THREE-PLACE (R, A3)	
CON	DATE	FOUR-PLACE (R, A4)	
PRO	DATE	FIVE-PLACE (R, A5)	
MAN	DATE	SIX-PLACE (R, A6)	
WEL	DATE	SEVEN-PLACE (R, A7)	
COL	DATE	EIGHT-PLACE (R, A8)	
DRG	DATE	NINE-PLACE (R, A9)	
CHK	DATE	TEN-PLACE (R, A10)	
APP	DATE	ELEVEN-PLACE (R, A11)	
DES	DATE	TWELVE-PLACE (R, A12)	
CON	DATE	THIRTEEN-PLACE (R, A13)	
PRO	DATE	FOURTEEN-PLACE (R, A14)	
MAN	DATE	FIFTEEN-PLACE (R, A15)	
WEL	DATE	SIXTEEN-PLACE (R, A16)	
COL	DATE	SEVENTEEN-PLACE (R, A17)	
DRG	DATE	EIGHTEEN-PLACE (R, A18)	
CHK	DATE	NINETEEN-PLACE (R, A19)	
APP	DATE	TWENTY-PLACE (R, A20)	
DES	DATE	ONE PLACE (R, A1)	
CON	DATE	TWO PLACE (R, A2)	
PRO	DATE	THREE PLACE (R, A3)	
MAN	DATE	FOUR PLACE (R, A4)	
WEL	DATE	FIVE PLACE (R, A5)	
COL	DATE	SIX PLACE (R, A6)	
DRG	DATE	SEVEN PLACE (R, A7)	
CHK	DATE	EIGHT PLACE (R, A8)	
APP	DATE	NINE PLACE (R, A9)	
DES	DATE	TEN PLACE (R, A10)	
CON	DATE	ELEVEN PLACE (R, A11)	
PRO	DATE	TWELVE PLACE (R, A12)	
MAN	DATE	THIRTEEN PLACE (R, A13)	
WEL	DATE	FOURTEEN PLACE (R, A14)	
COL	DATE	FIFTEEN PLACE (R, A15)	
DRG	DATE	SIXTEEN PLACE (R, A16)	
CHK	DATE	SEVENTEEN PLACE (R, A17)	
APP	DATE	EIGHTEEN PLACE (R, A18)	
DES	DATE	NINETEEN PLACE (R, A19)	
CON	DATE	TWENTY PLACE (R, A20)	



97 M36WQ

TITLE: DRAINAGE SYSTEM INSTL	
DATE: 11/01/00	REV: 1
SHEET: 2 of 2	DWG NO: 122337



- 4) CLAMPS MUST BE ON BARBS.
- 3. ALL TUBING TO BE SECURED AT 1200 INTERVALS MAXIMUM WITH CLAMP 10495-01-000 OR CLIP 91951-01-000 AND SCREW G67-10-128.
- 2. TUBING TO BE INSTALLED WITH SUFFICIENT SLOPE TO PROVIDE DRAINAGE TO NEAREST VALVE.
- 1. PLASTIC FITTINGS TO BE SEALED WITH SEALANT 84456-01-000.

- 8) USE W/ELECTRIC BYPASS.
- 7) USE DETAIL "F" IN THIS AREA.
- 6) USE WITH REFRIGERATOR WITHOUT ICEMAKER.
- 5) USE WITH REFRIGERATOR WITH ICEMAKER.

FOR WATER CALLOUTS SEE DWG NO. 116230-01-000

LEGEND

HOT

COLD

**WINNEBAGO** 97 M36W0

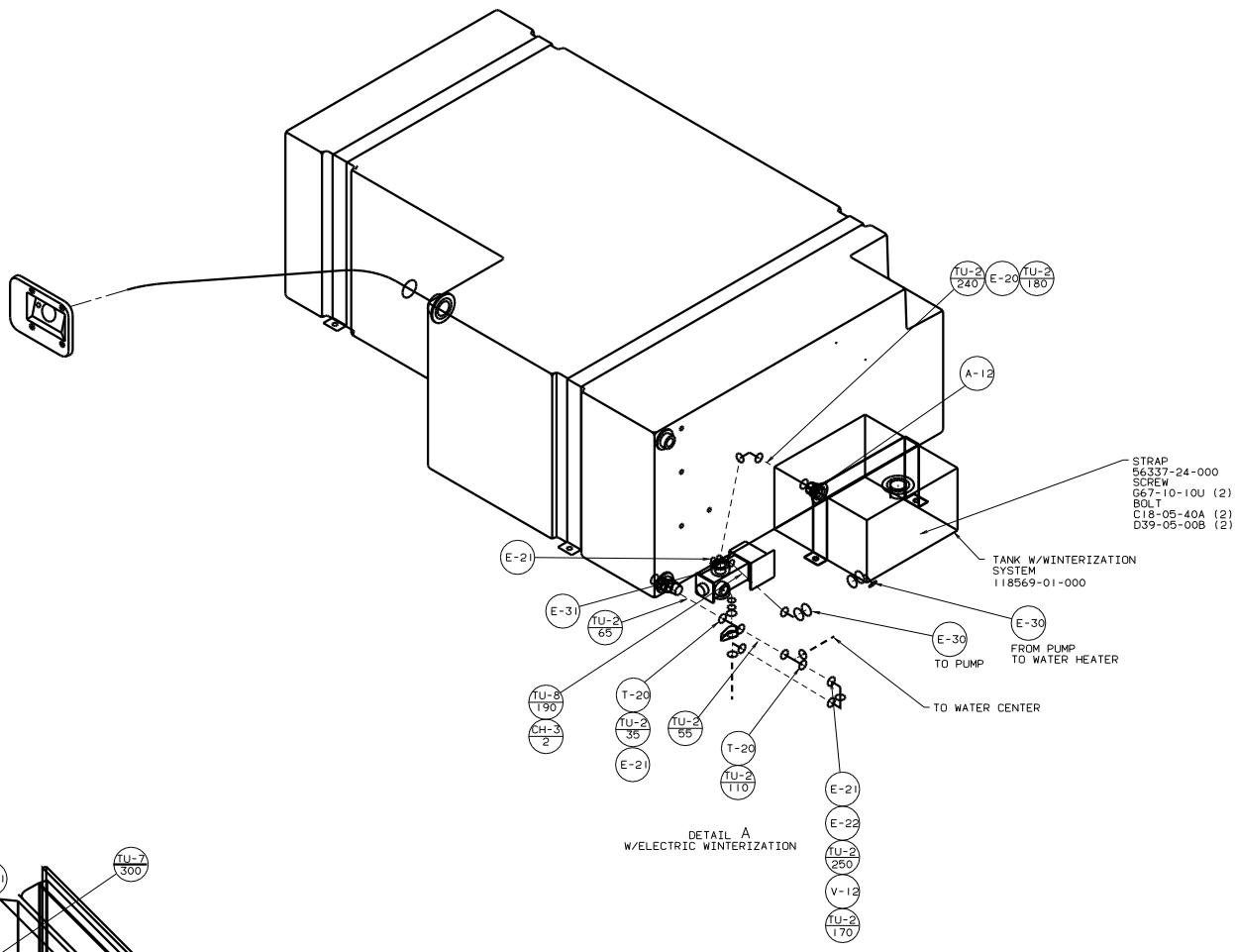
DATE	DATE	DATE	DATE
DATE	DATE	DATE	DATE
DATE	DATE	DATE	DATE
DATE	DATE	DATE	DATE

SCALE: 1/8" = 1'-0"

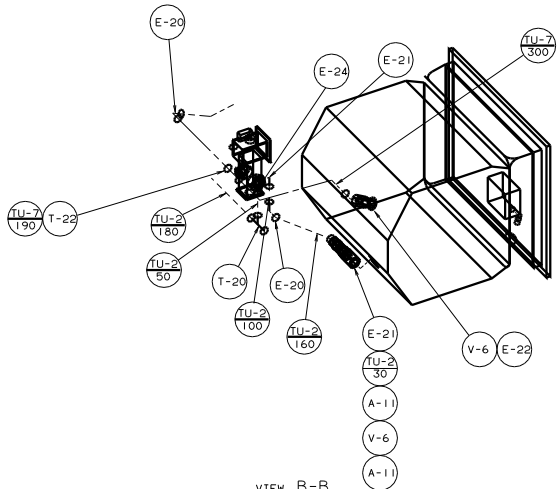
DATE: 12/23/41

122341



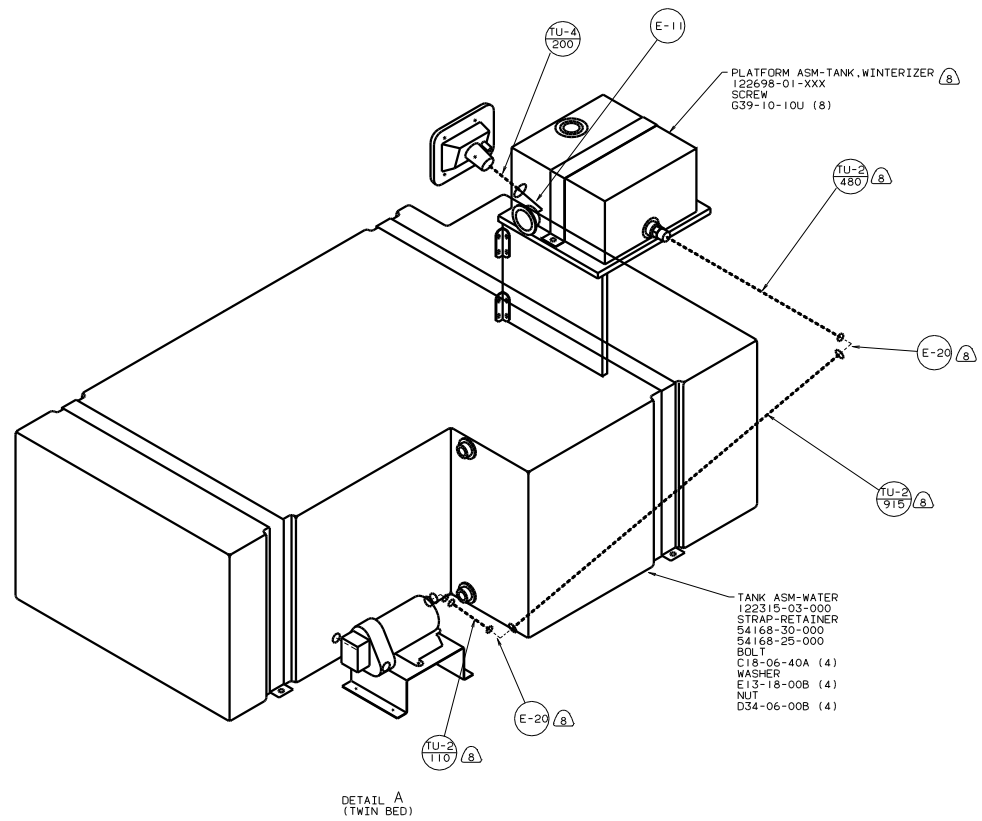


DETAIL A  
W/ELECTRIC WINTERIZATION



VIEW B-B  
W/ELECTRIC BYPASS

97 M36WQ	
TITLE: WATER SYSTEM INSTL	
NO. OF SHEETS	TOTAL SHEETS
SHEET 3 OF 4	16
122341	



PLATFORM ASM-TANK, WINTERIZER (8)  
 122698-01-XXX  
 SCREW  
 G39-10-10U (8)

TU-2  
 480 (8)

E-20 (8)

TU-2  
 915 (8)

TANK ASM-WATER  
 122315-03-000  
 STRAP-RETAINER  
 S4168-30-000  
 S4168-25-000  
 BOLT  
 C18-06-40A (4)  
 WASHER  
 E13-18-00B (4)  
 NUT  
 D34-06-00B (4)

TU-2  
 110 (8)

E-20 (8)

DETAIL A  
 (TWIN BED)