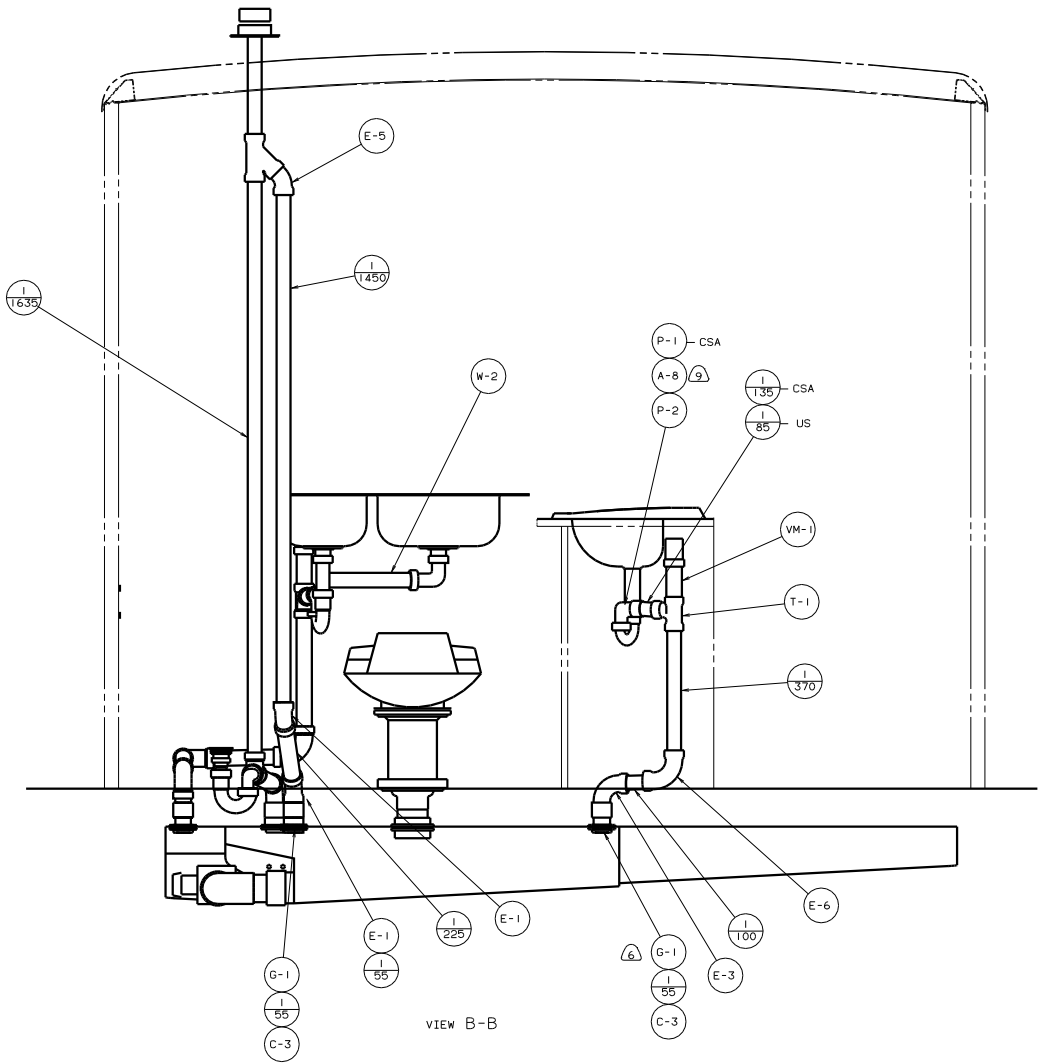


- 9. NOT USED ON CANADIAN UNITS.
- 8. APPLY SEAL 98408-01-000 TO BACK OF TUBES TO PREVENT SHORTING OUT OF SENSOR.
- 7. VENT PIPE MUST BE PROJECTED 51 TO 64 MAXIMUM ABOVE ROOF FOR PROPER FIT AND FUNCTION.
- 6. SEE DRAWING 61607-01-000 FOR INSTALLATION OF GROMMET.
- 5. SEAL ALL AROUND SHOWER WITH SILICONE 78474-01-CHT.
- 4. FOR CANADIAN UNITS EACH HOLDING TANK SHALL HAVE A CSA APPROVAL STAMPED NEAR IAPMO APPROVAL.
- 3. ALL PIPE AND FITTINGS TO BE ASSEMBLED WITH SOLVENT 4020-01-000.
- 2. SLOPE OF TRAP MUST BE 6 PER 300 MINIMUM.
- 1. SLOPE OF HORIZONTAL PIPING TO BE 6 PER 300 MINIMUM.

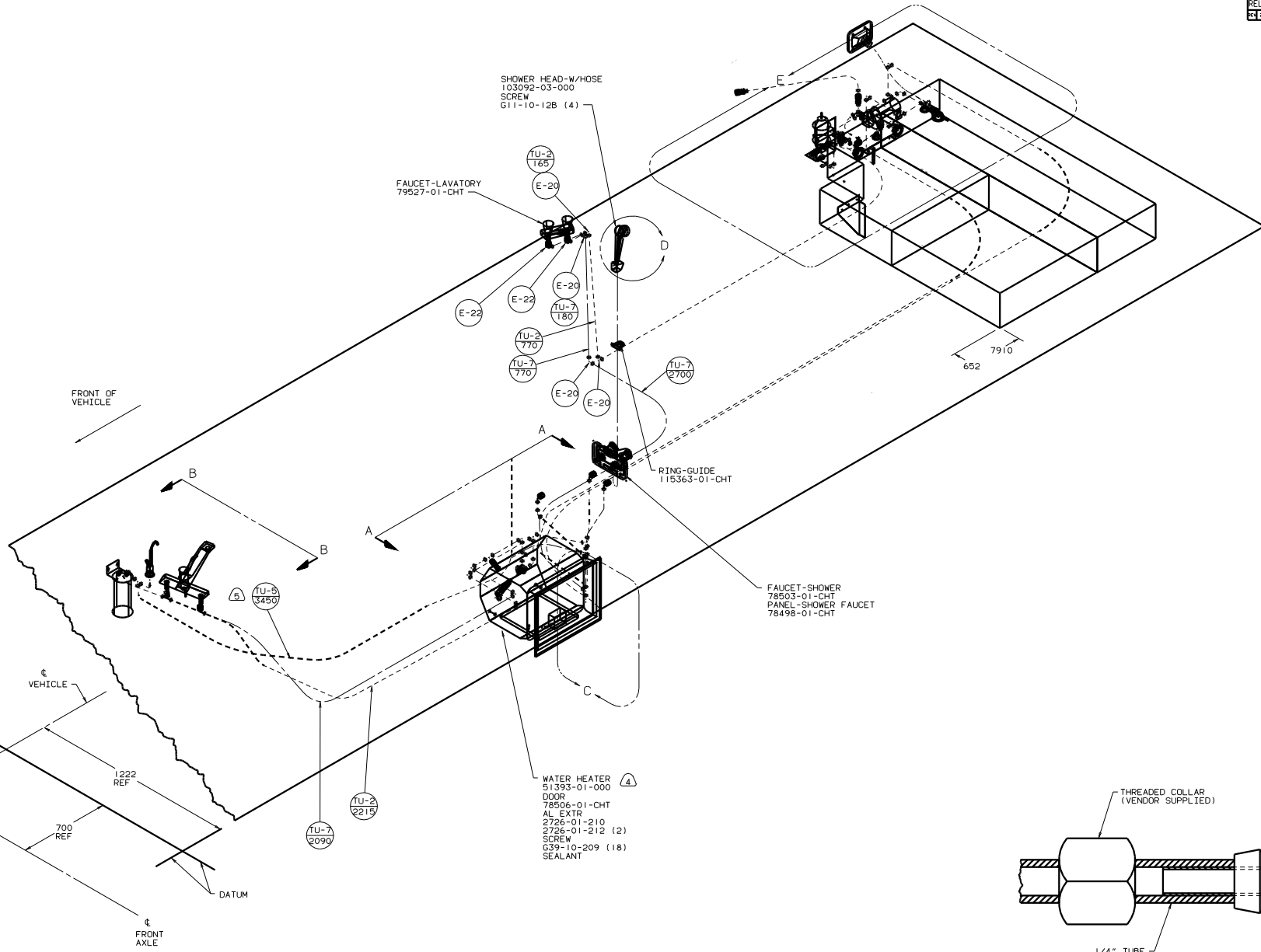
FOR DRAINAGE CALLOUTS SEE DWG NO. 116229-01-000

WINNEBAGO 96 M36WA	
DATE	UNDESIGNED TOLERANCES ARE:
DATE	ONE-PLACE (1X.01)
DATE	TWO-PLACE (1X.001)
DATE	THREE-PLACE (1X.0001)
DATE	FOUR-PLACE (1X.00001)
DATE	FIVE-PLACE (1X.000001)
DATE	SIX-PLACE (1X.0000001)
DATE	SEVEN-PLACE (1X.00000001)
DATE	EIGHT-PLACE (1X.000000001)
DATE	NINE-PLACE (1X.0000000001)
DATE	TEN-PLACE (1X.00000000001)
DATE	ELEVEN-PLACE (1X.000000000001)
DATE	TWELVE-PLACE (1X.0000000000001)
DATE	THIRTEEN-PLACE (1X.00000000000001)
DATE	FOURTEEN-PLACE (1X.000000000000001)
DATE	FIFTEEN-PLACE (1X.0000000000000001)
DATE	SIXTEEN-PLACE (1X.00000000000000001)
DATE	SEVENTEEN-PLACE (1X.000000000000000001)
DATE	EIGHTEEN-PLACE (1X.0000000000000000001)
DATE	NINETEEN-PLACE (1X.00000000000000000001)
DATE	TWENTY-PLACE (1X.000000000000000000001)

REF: 117803 C I



VIEW B-B



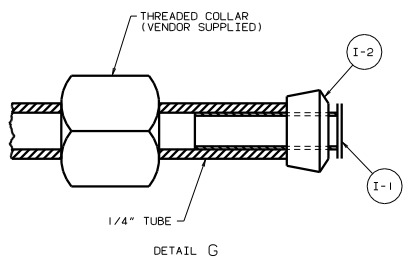
SHOWER HEAD-W/HOSE
 103092-03-000
 SCREW
 G11-10-12B (4)

FAUCET-LAVATORY
 79527-01-CHT

RING-GUIDE
 115363-01-CHT

FAUCET-SHOWER
 78503-01-CHT
 PANEL-SHOWER FAUCET
 78498-01-CHT

WATER HEATER
 51393-01-000 (4)
 DOOR
 78506-01-CHT
 AL EXTR
 2726-01-210
 2726-01-212 (2)
 SCREW
 G39-10-209 (18)
 SEALANT



- NOTES:
1. PLASTIC FITTINGS TO BE SEALED WITH SEALANT 84456-01-000.
 2. TUBING TO BE INSTALLED WITH SUFFICIENT SLOPE TO PROVIDE DRAINAGE TO NEAREST VALVE.
 3. ALL TUBING TO BE SECURED AT 1200 INTERVALS MAXIMUM WITH CLAMP 10495-01-000 OR CLIP 91951-01-000 AND SCREW G67-10-12B.
 4. CLAMPS MUST BE ON BARBS.
 5. USE WITH REFRIGERATOR WITH ICEMAKER.
 6. USE WITH REFRIGERATOR WITHOUT ICEMAKER.
 7. USE DETAIL "G" IN THIS AREA.

FOR WATER CALLOUTS SEE DWG NO. 116230-01-000

LEGEND	
HOT	-----
COLD	-----

WINNEBAGO		97 M36WA
DATE	DATE	PROPOSED TOLERANCES ARE:
DATE	DATE	FR. 1/16
DATE	DATE	2ND. 1/32
DATE	DATE	3RD. 1/64
DATE	DATE	4TH. 1/128
DATE	DATE	5TH. 1/256
DATE	DATE	6TH. 1/512
DATE	DATE	7TH. 1/1024
DATE	DATE	8TH. 1/2048
DATE	DATE	9TH. 1/4096
DATE	DATE	10TH. 1/8192
DATE	DATE	11TH. 1/16384
DATE	DATE	12TH. 1/32768
DATE	DATE	13TH. 1/65536
DATE	DATE	14TH. 1/131072
DATE	DATE	15TH. 1/262144
DATE	DATE	16TH. 1/524288
DATE	DATE	17TH. 1/1048576
DATE	DATE	18TH. 1/2097152
DATE	DATE	19TH. 1/4194304
DATE	DATE	20TH. 1/8388608
DATE	DATE	21ST. 1/16777216
DATE	DATE	22ND. 1/33554432
DATE	DATE	23RD. 1/67108864
DATE	DATE	24TH. 1/134217728
DATE	DATE	25TH. 1/268435456
DATE	DATE	26TH. 1/536870912
DATE	DATE	27TH. 1/1073741824
DATE	DATE	28TH. 1/2147483648
DATE	DATE	29TH. 1/4294967296
DATE	DATE	30TH. 1/8589934592
DATE	DATE	31ST. 1/17179869184
DATE	DATE	32ND. 1/34359738368
DATE	DATE	33RD. 1/68719476736
DATE	DATE	34TH. 1/137438953472
DATE	DATE	35TH. 1/274877906944
DATE	DATE	36TH. 1/549755813888
DATE	DATE	37TH. 1/1099511627776
DATE	DATE	38TH. 1/2199023255552
DATE	DATE	39TH. 1/4398046511104
DATE	DATE	40TH. 1/8796093022208
DATE	DATE	41ST. 1/17592186044416
DATE	DATE	42ND. 1/35184372088832
DATE	DATE	43RD. 1/70368744177664
DATE	DATE	44TH. 1/140737488355328
DATE	DATE	45TH. 1/281474976710656
DATE	DATE	46TH. 1/562949953421312
DATE	DATE	47TH. 1/1125899906842624
DATE	DATE	48TH. 1/2251799813685248
DATE	DATE	49TH. 1/4503599627370496
DATE	DATE	50TH. 1/9007199254740992
DATE	DATE	51ST. 1/18014398509481984
DATE	DATE	52ND. 1/36028797018963968
DATE	DATE	53RD. 1/72057594037927936
DATE	DATE	54TH. 1/144115188075855872
DATE	DATE	55TH. 1/288230376151711744
DATE	DATE	56TH. 1/576460752303423488
DATE	DATE	57TH. 1/1152921504606846976
DATE	DATE	58TH. 1/2305843009213693952
DATE	DATE	59TH. 1/4611686018427387904
DATE	DATE	60TH. 1/9223372036854775808
DATE	DATE	61ST. 1/18446744073709551616
DATE	DATE	62ND. 1/36893488147419103232
DATE	DATE	63RD. 1/73786976294838206464
DATE	DATE	64TH. 1/147573952589676412928
DATE	DATE	65TH. 1/295147905179352825856
DATE	DATE	66TH. 1/5902958103587056517132
DATE	DATE	67TH. 1/11805916207174113034264
DATE	DATE	68TH. 1/23611832414348226068528
DATE	DATE	69TH. 1/47223664828696452137056
DATE	DATE	70TH. 1/94447329657392904274112
DATE	DATE	71ST. 1/188894659314785808548224
DATE	DATE	72ND. 1/377789318629571617096448
DATE	DATE	73RD. 1/755578637259143234192896
DATE	DATE	74TH. 1/1511157274518286468385792
DATE	DATE	75TH. 1/3022314549036572936711584
DATE	DATE	76TH. 1/6044629098073145873423168
DATE	DATE	77TH. 1/12089258196146291746846336
DATE	DATE	78TH. 1/24178516392292583493692672
DATE	DATE	79TH. 1/48357032784585166987385344
DATE	DATE	80TH. 1/96714065569170333974770688
DATE	DATE	81ST. 1/193428131138340667949541376
DATE	DATE	82ND. 1/386856262276681335899082752
DATE	DATE	83RD. 1/773712524553362671798165504
DATE	DATE	84TH. 1/1547425049106725343596311008
DATE	DATE	85TH. 1/3094850098213450687192622016
DATE	DATE	86TH. 1/6189700196426901374385244032
DATE	DATE	87TH. 1/12379400392853802748770888064
DATE	DATE	88TH. 1/24758800785707605497541776128
DATE	DATE	89TH. 1/49517601571415210995083552256
DATE	DATE	90TH. 1/99035203142830421990167104512
DATE	DATE	91ST. 1/19807040628566084398033420824
DATE	DATE	92ND. 1/39614081257132168796066841648
DATE	DATE	93RD. 1/79228162514264337592133683296
DATE	DATE	94TH. 1/158456325028528675184267365792
DATE	DATE	95TH. 1/316912650057057350368534731584
DATE	DATE	96TH. 1/633825300114114700737069463168
DATE	DATE	97TH. 1/1267650600228229401474138926336
DATE	DATE	98TH. 1/253530120045645880294827781272
DATE	DATE	99TH. 1/507060240091291760589655562544
DATE	DATE	100TH. 1/1014120480182583521179311125088

