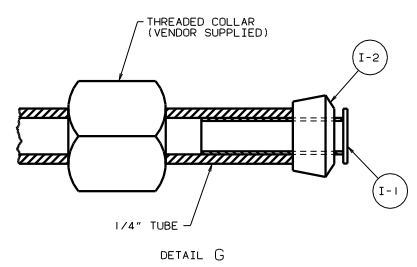
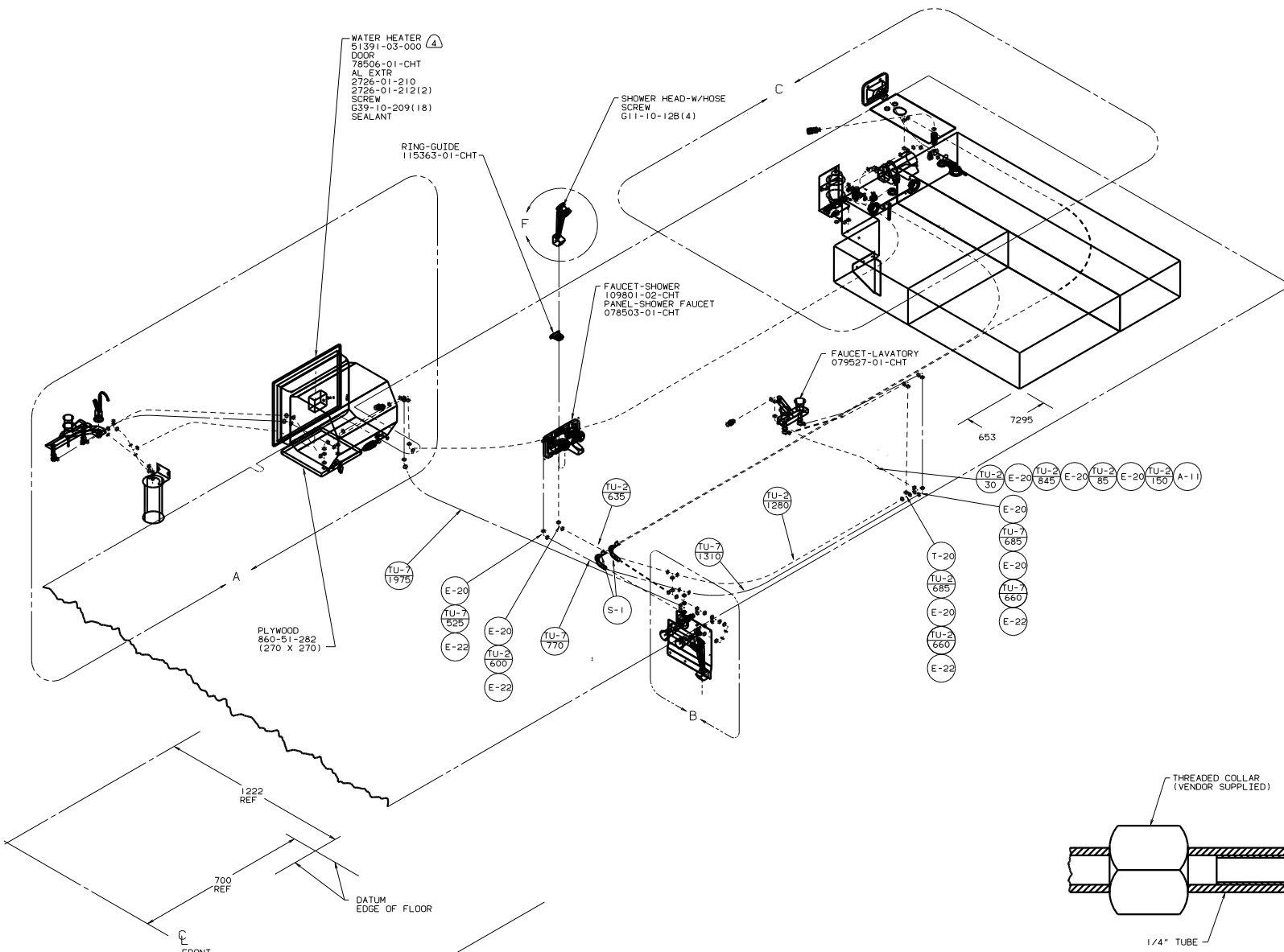


VIEW B-B

97 M34WQ

TITLE: DRAINAGE SYSTEM INSTL		REV: 1		INC NO: 123342	
DATE: 2	OF: 2	FIG: 1	REV: 1		



- ⚠ USE DETAIL G.
- ⚠ USE WITHOUT ICE MAKER.
- ⚠ USE WITH ICE MAKER.
- ⚠ CLAMPS MUST BE ON BARBS.

3. ALL TUBING TO BE SECURED AT 1200 INTERVALS MAXIMUM WITH CLAMP 10495-01-000 OR CLIP 91951-01-000 AND SCREW G67-10-128.
2. TUBING TO BE INSTALLED WITH SUFFICIENT SLOPE TO PROVIDE DRAINAGE TO NEAREST VALVE.
1. PLASTIC FITTINGS TO BE SEALED WITH SEALANT 84456-01-000.

NOTES:

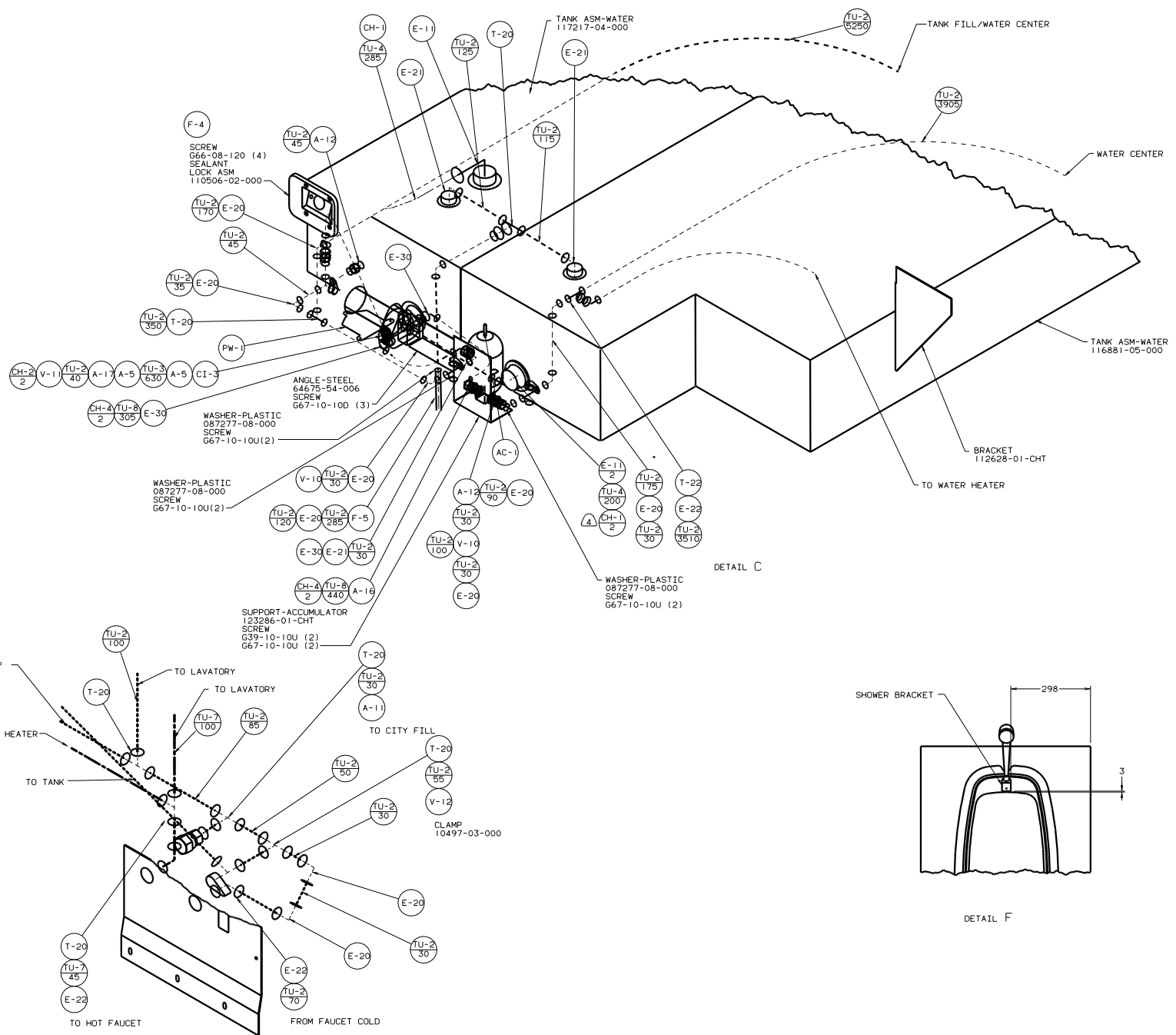
FOR WATER CALLOUTS SEE DWG NO. 116230-01-000

(X-X)	
HOT	*****
COLD	*****

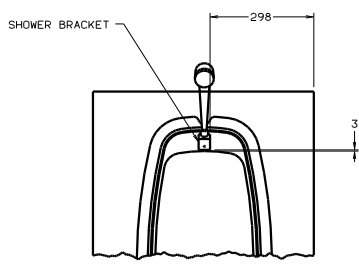
WINNEBAGO 97 M34W0

DATE	UNDESIGNED TOLERANCES ARE:	MATERIAL
DATE	ONE-PLACE (1X.01)	
DATE	TWO-PLACE (1X.005)	
DATE	THREE-PLACE (1X.001)	
DATE	FOUR-PLACE (1X.0005)	
DATE	FIVE-PLACE (1X.0001)	
DATE	SIX-PLACE (1X.00005)	
DATE	SEVEN-PLACE (1X.00001)	
DATE	EIGHT-PLACE (1X.000005)	
DATE	NINE-PLACE (1X.000001)	
DATE	TEN-PLACE (1X.0000005)	
DATE	ELEVEN-PLACE (1X.0000001)	
DATE	TWELVE-PLACE (1X.00000005)	
DATE	THIRTEEN-PLACE (1X.00000001)	
DATE	FOURTEEN-PLACE (1X.000000005)	
DATE	FIFTEEN-PLACE (1X.000000001)	
DATE	SIXTEEN-PLACE (1X.0000000005)	
DATE	SEVENTEEN-PLACE (1X.0000000001)	
DATE	EIGHTEEN-PLACE (1X.00000000005)	
DATE	NINETEEN-PLACE (1X.00000000001)	
DATE	TWENTY-PLACE (1X.000000000005)	
DATE	TWENTY-ONE-PLACE (1X.000000000001)	
DATE	TWENTY-TWO-PLACE (1X.0000000000005)	
DATE	TWENTY-THREE-PLACE (1X.0000000000001)	
DATE	TWENTY-FOUR-PLACE (1X.00000000000005)	
DATE	TWENTY-FIVE-PLACE (1X.00000000000001)	
DATE	TWENTY-SIX-PLACE (1X.000000000000005)	
DATE	TWENTY-SEVEN-PLACE (1X.000000000000001)	
DATE	TWENTY-EIGHT-PLACE (1X.0000000000000005)	
DATE	TWENTY-NINE-PLACE (1X.0000000000000001)	
DATE	THIRTY-PLACE (1X.00000000000000005)	
DATE	THIRTY-ONE-PLACE (1X.00000000000000001)	
DATE	THIRTY-TWO-PLACE (1X.000000000000000005)	
DATE	THIRTY-THREE-PLACE (1X.000000000000000001)	
DATE	THIRTY-FOUR-PLACE (1X.0000000000000000005)	
DATE	THIRTY-FIVE-PLACE (1X.0000000000000000001)	
DATE	THIRTY-SIX-PLACE (1X.00000000000000000005)	
DATE	THIRTY-SEVEN-PLACE (1X.00000000000000000001)	
DATE	THIRTY-EIGHT-PLACE (1X.000000000000000000005)	
DATE	THIRTY-NINE-PLACE (1X.000000000000000000001)	
DATE	FOURTY-PLACE (1X.0000000000000000000005)	
DATE	FOURTY-ONE-PLACE (1X.0000000000000000000001)	
DATE	FOURTY-TWO-PLACE (1X.00000000000000000000005)	
DATE	FOURTY-THREE-PLACE (1X.00000000000000000000001)	
DATE	FOURTY-FOUR-PLACE (1X.000000000000000000000005)	
DATE	FOURTY-FIVE-PLACE (1X.000000000000000000000001)	
DATE	FOURTY-SIX-PLACE (1X.0000000000000000000000005)	
DATE	FOURTY-SEVEN-PLACE (1X.0000000000000000000000001)	
DATE	FOURTY-EIGHT-PLACE (1X.00000000000000000000000005)	
DATE	FOURTY-NINE-PLACE (1X.00000000000000000000000001)	
DATE	FIFTY-PLACE (1X.000000000000000000000000005)	
DATE	FIFTY-ONE-PLACE (1X.000000000000000000000000001)	
DATE	FIFTY-TWO-PLACE (1X.0000000000000000000000000005)	
DATE	FIFTY-THREE-PLACE (1X.0000000000000000000000000001)	
DATE	FIFTY-FOUR-PLACE (1X.00000000000000000000000000005)	
DATE	FIFTY-FIVE-PLACE (1X.00000000000000000000000000001)	
DATE	FIFTY-SIX-PLACE (1X.000000000000000000000000000005)	
DATE	FIFTY-SEVEN-PLACE (1X.000000000000000000000000000001)	
DATE	FIFTY-EIGHT-PLACE (1X.0000000000000000000000000000005)	
DATE	FIFTY-NINE-PLACE (1X.0000000000000000000000000000001)	
DATE	SIXTY-PLACE (1X.00000000000000000000000000000005)	
DATE	SIXTY-ONE-PLACE (1X.00000000000000000000000000000001)	
DATE	SIXTY-TWO-PLACE (1X.000000000000000000000000000000005)	
DATE	SIXTY-THREE-PLACE (1X.000000000000000000000000000000001)	
DATE	SIXTY-FOUR-PLACE (1X.0000000000000000000000000000000005)	
DATE	SIXTY-FIVE-PLACE (1X.0000000000000000000000000000000001)	
DATE	SIXTY-SIX-PLACE (1X.00000000000000000000000000000000005)	
DATE	SIXTY-SEVEN-PLACE (1X.00000000000000000000000000000000001)	
DATE	SIXTY-EIGHT-PLACE (1X.000000000000000000000000000000000005)	
DATE	SIXTY-NINE-PLACE (1X.000000000000000000000000000000000001)	
DATE	SEVENTY-PLACE (1X.0000000000000000000000000000000000005)	
DATE	SEVENTY-ONE-PLACE (1X.0000000000000000000000000000000000001)	
DATE	SEVENTY-TWO-PLACE (1X.00000000000000000000000000000000000005)	
DATE	SEVENTY-THREE-PLACE (1X.00000000000000000000000000000000000001)	
DATE	SEVENTY-FOUR-PLACE (1X.000000000000000000000000000000000000005)	
DATE	SEVENTY-FIVE-PLACE (1X.000000000000000000000000000000000000001)	
DATE	SEVENTY-SIX-PLACE (1X.0000000000000000000000000000000000000005)	
DATE	SEVENTY-SEVEN-PLACE (1X.0000000000000000000000000000000000000001)	
DATE	SEVENTY-EIGHT-PLACE (1X.005)	
DATE	SEVENTY-NINE-PLACE (1X.001)	
DATE	EIGHTY-PLACE (1X.0005)	
DATE	EIGHTY-ONE-PLACE (1X.0001)	
DATE	EIGHTY-TWO-PLACE (1X.005)	
DATE	EIGHTY-THREE-PLACE (1X.001)	
DATE	EIGHTY-FOUR-PLACE (1X.0005)	
DATE	EIGHTY-FIVE-PLACE (1X.0001)	
DATE	EIGHTY-SIX-PLACE (1X.005)	
DATE	EIGHTY-SEVEN-PLACE (1X.001)	
DATE	EIGHTY-EIGHT-PLACE (1X.0005)	
DATE	EIGHTY-NINE-PLACE (1X.0001)	
DATE	NINETY-PLACE (1X.005)	
DATE	NINETY-ONE-PLACE (1X.001)	
DATE	NINETY-TWO-PLACE (1X.0005)	
DATE	NINETY-THREE-PLACE (1X.0001)	
DATE	NINETY-FOUR-PLACE (1X.005)	
DATE	NINETY-FIVE-PLACE (1X.001)	
DATE	NINETY-SIX-PLACE (1X.0005)	
DATE	NINETY-SEVEN-PLACE (1X.0001)	
DATE	NINETY-EIGHT-PLACE (1X.005)	
DATE	NINETY-NINE-PLACE (1X.001)	
DATE	HUNDRED-PLACE (1X.0005)	

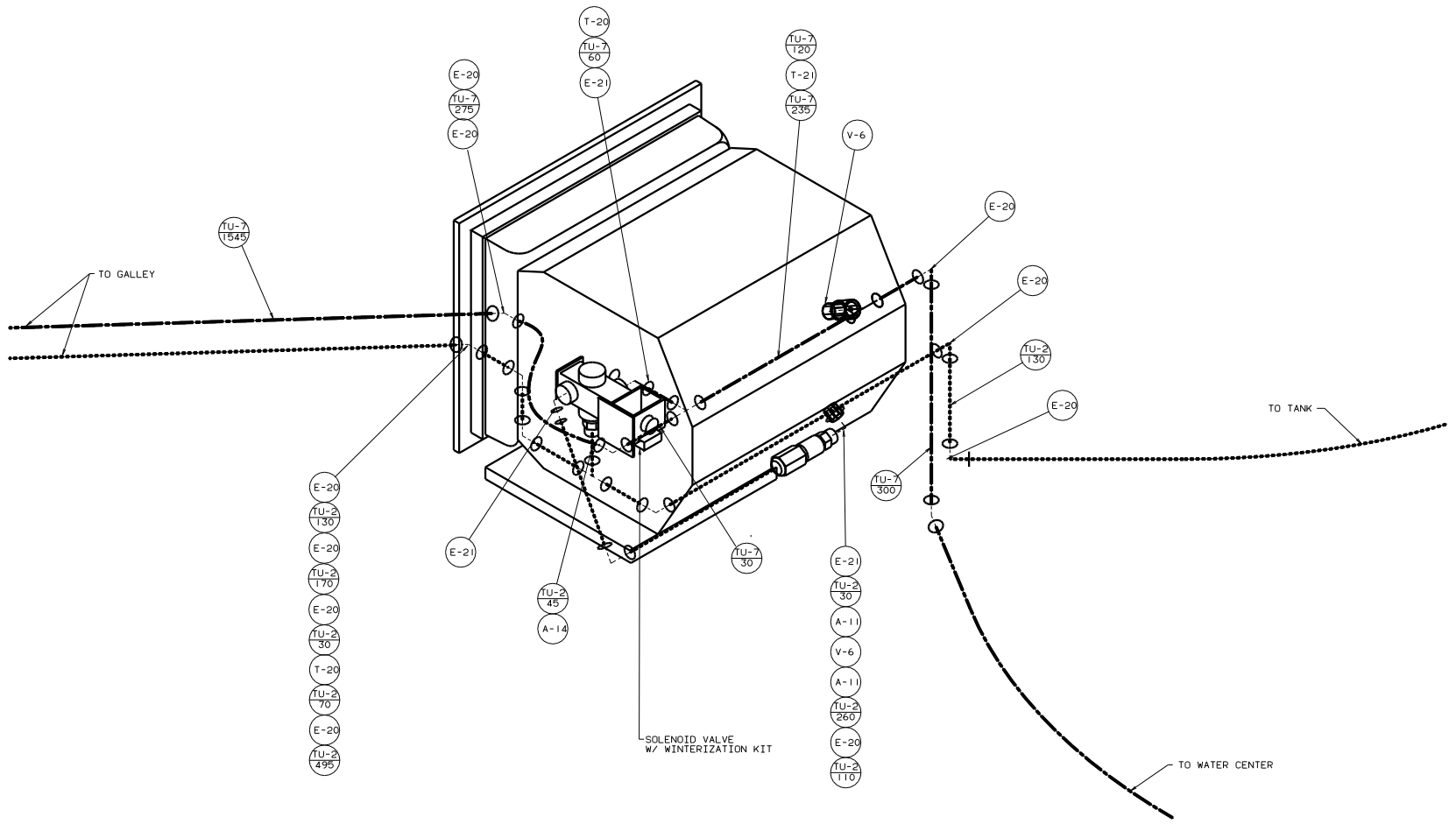
LANE # M34W0 TITLE: WATER SYSTEM INSTL
 REF: 118062



DETAIL C



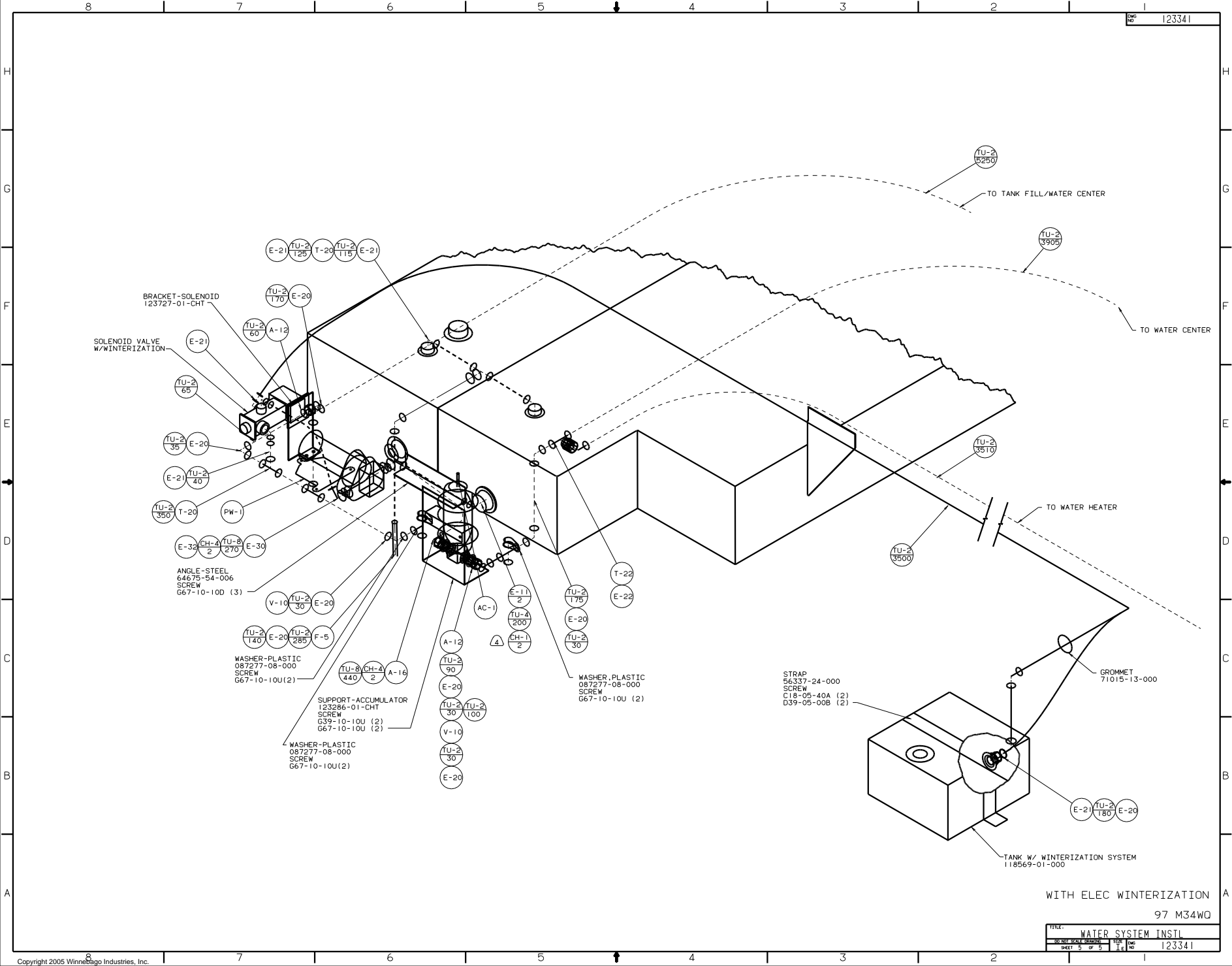
DETAIL F



WITH ELEC BYPASS

97 M34WD

TITLE		123341	
WATER SYSTEM INSTL		123341	
NO OF SHEETS	SHEET NO	TITLE	DWG NO
5	4	WATER SYSTEM INSTL	123341



WITH ELEC WINTERIZATION
97 M34WD

TITLE		123341	
NO. OF SHEETS	5	OF	5
SHEET NO.	5	REV.	1