

- SINK 110654-01-000 (US/CAN)
- RETAINER 105497-01-000 (2)
- 105497-02-000 (4)
- SCREW 667-06-100 (22)
- STRAINER W/BASKET 92303-01-000 (2)
- SEALER 69640-01-000

- BRACKET 112876-03-CHT
- SCREW 639-10-120 (3)

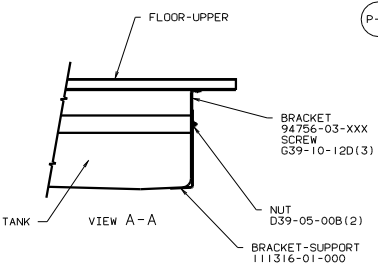
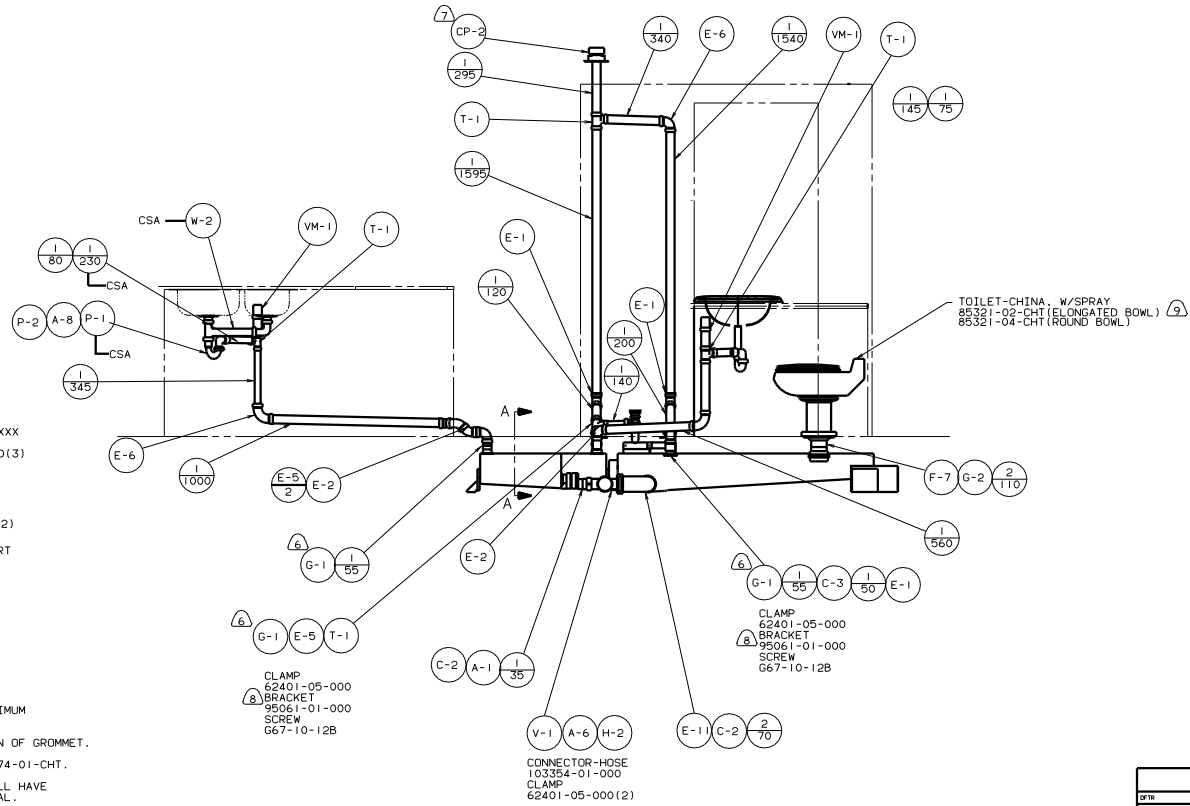
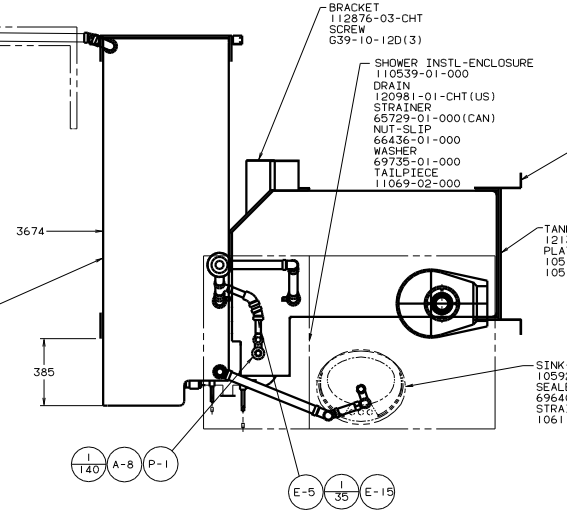
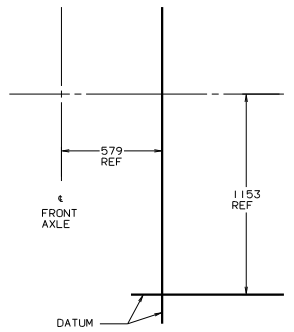
- SHOWER INSTL-ENCLOSURE 110539-01-000
- DRAIN 120981-01-CHT (US)
- STRAINER 65729-01-000 (CAN)
- NUT-SLIP 66436-01-000
- WASHER 69735-01-000
- TAILPIECE 11069-02-000

- BRACKET 94756-01-CHT (2)
- SCREW 639-10-120 (6)

- TANK-HOLDING 121386-02-000
- PLATFORM ASM-HOLDING TANK 105193-15-XXX
- 105193-14-XXX

- SINK-LAVATORY 105921-01-CHT
- SEALER 69640-01-000
- STRAINER 106116-01-CHT

- TANK-HOLDING 121385-02-000
- PLATFORM ASM-HOLDING TANK 105193-12-XXX
- 105193-13-XXX



- ONLY AVAILABLE ON OSHKOSH CHASSIS.
- SECURE VENT TUBES TO FLOOR.
- VENT PIPE MUST BE PROJECTED 51 TO 64 MAXIMUM ABOVE ROOF FOR PROPER FIT AND FUNCTION.
- SEE DRAWING 61607-01-000 FOR INSTALLATION OF GROMMET.
- SEAL ALL AROUND SHOWER WITH SILICONE 78474-01-CHT.
- FOR CANADIAN UNITS EACH HOLDING TANK SHALL HAVE A CSA APPROVAL STAMPED NEAR IAPMO APPROVAL.
- ALL PIPE AND FITTINGS TO BE ASSEMBLED WITH SOLVENT 4020-01-000.
- SLOPE OF TRAP MUST BE 6 PER 300 MINIMUM.
- SLOPE OF HORIZONTAL PIPING TO BE 6 PER 300 MINIMUM.

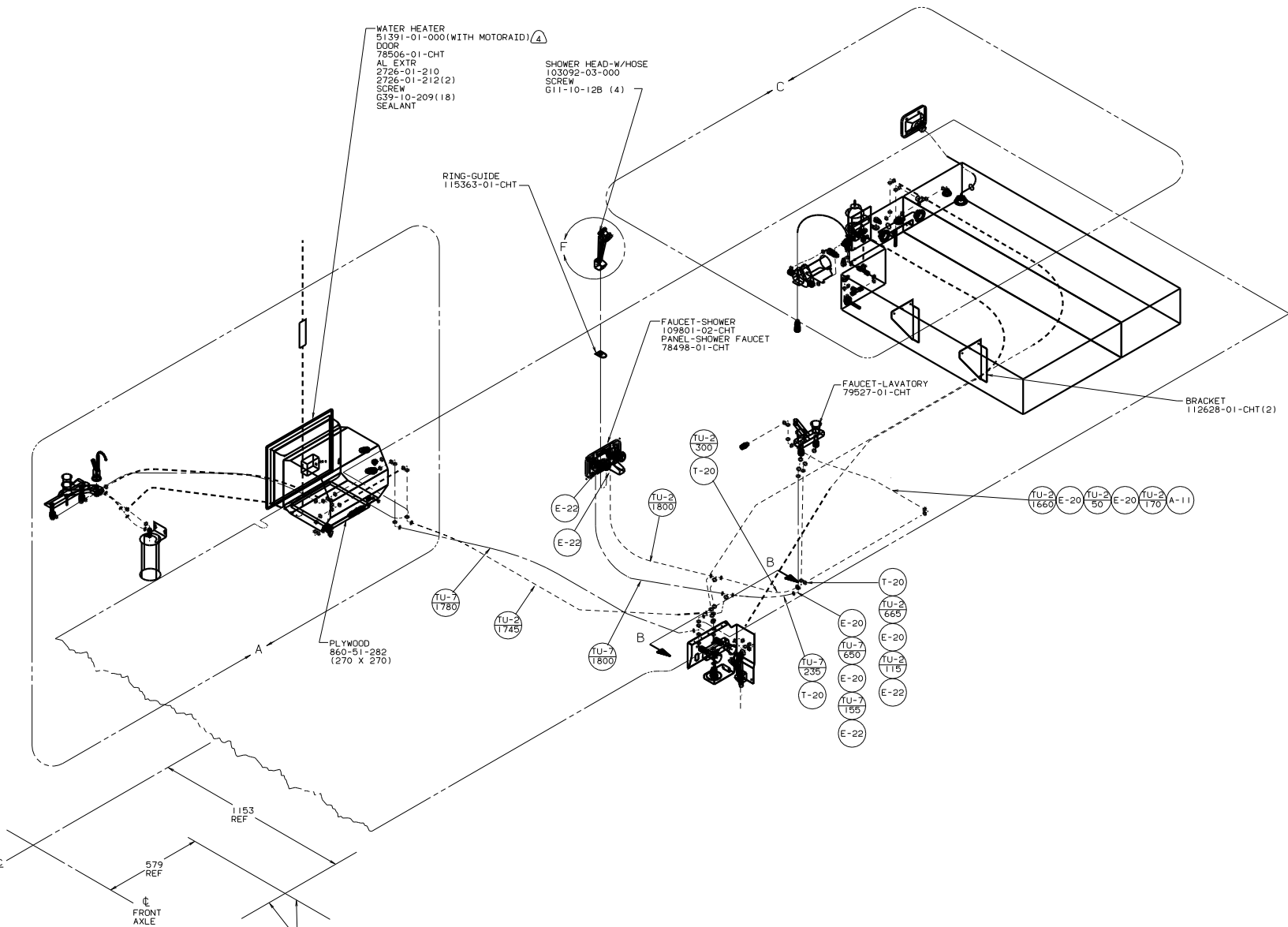
- CLAMP 62401-05-000
- BRACKET 95061-01-000
- SCREW 667-10-12B

- CLAMP 62401-05-000
- BRACKET 95061-01-000
- SCREW 667-10-12B

- CONNECTOR-HOSE 103354-01-000
- CLAMP 62401-05-000 (2)

FOR DRAINAGE CALLOUTS SEE DWG NO. 116229-01-000

DRAWING NO. MK34RD		TITLE: DRAINAGE SYSTEM INSTL	
DATE	DATE	UNDESIGNED TOLERANCES ARE:	MATERIAL:
DATE	DATE	WHOLE DIM (IN)	
DATE	DATE	ONE-PLACE (IN.XX)	
DATE	DATE	TWO-PLACE (IN.XXX)	
DATE	DATE	MILL	
DATE	DATE	THIRD WHOLE	
DATE	DATE	PROJECTOR	
SCALE: NONE	SCALE: NONE	SHEET 1 OF 2	DWG NO. 119516



- Ⓜ USE WITHOUT ICE MAKER.
 Ⓜ USE WITH ICE MAKER.
 Ⓜ CLAMPS MUST BE ON BARBS.
 3. ALL TUBING TO BE SECURED AT 1200 INTERVALS MAXIMUM WITH CLAMP 10495-01-000 OR CLIP 91951-01-000 AND SCREW G67-10-12B.
 2. TUBING TO BE INSTALLED WITH SUFFICIENT SLOPE TO PROVIDE DRAINAGE TO NEAREST VALVE.
 1. PLASTIC FITTINGS TO BE SEALED WITH SEALANT 84456-01-000.

FOR WATER CALLOUTS SEE DWG NO. 116230-01-000

(X-X)

LEGEND

HOT *****

COLD *****

WINNEBAGO 97 M34R0

DATE	UNSPECIFIED TOLERANCES ARE:	MATERIAL
DATE	WHOLE DIM (IN)	F
DATE	ONE-PLACE (IN, IN)	F
DATE	TWO-PLACE (IN, IN)	F
DATE	THREE-PLACE (IN, IN)	F
DATE	THIRD ANGLE PROJECTION	F

LAYOUT NO. M34R0 TITLE: WATER SYSTEM INSTL
 SHEET 1 OF 3
 REF: 119510 E I

