

WATER HEATER
 51393-01-000 (WITH MOTORAID)
 111129-01-000
 DOOR
 78506-01-CHT Ⓢ
 GARNISH
 2726-01-210
 2726-01-212 (2)
 SCREW
 G39-10-169 (18)
 SEALANT
 69637-01-000

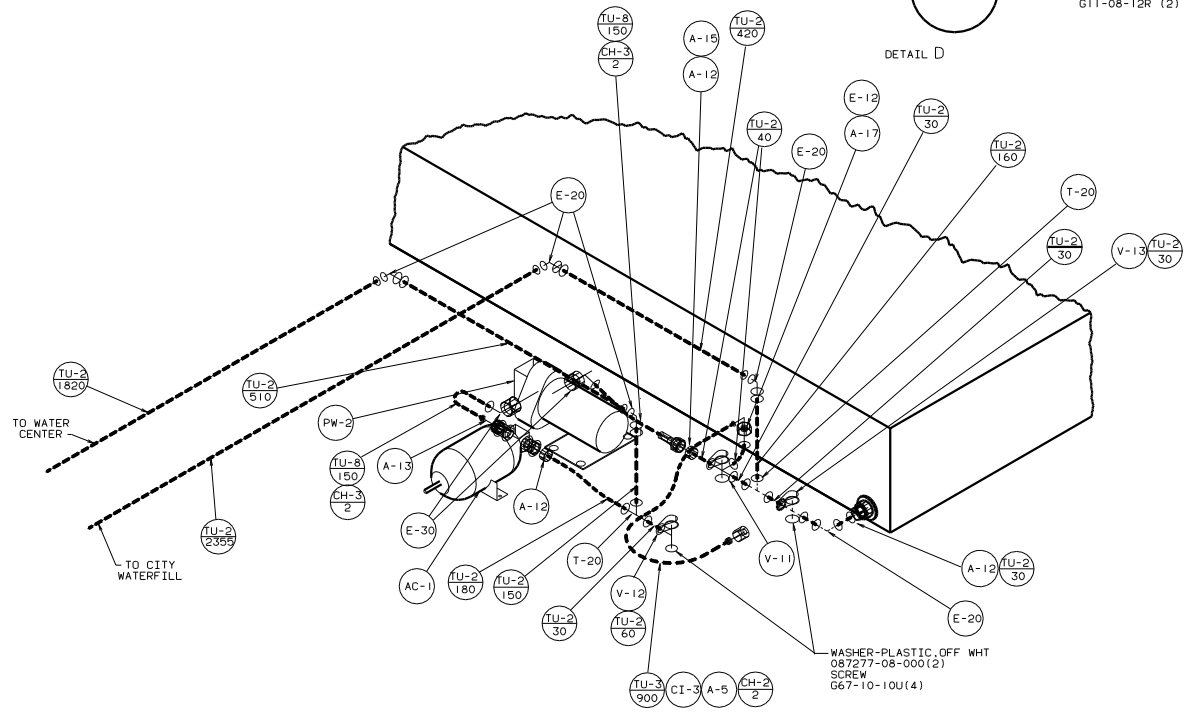
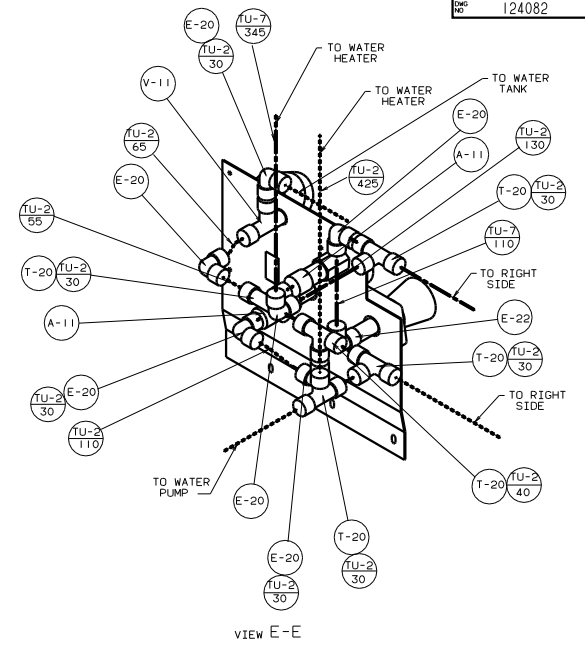
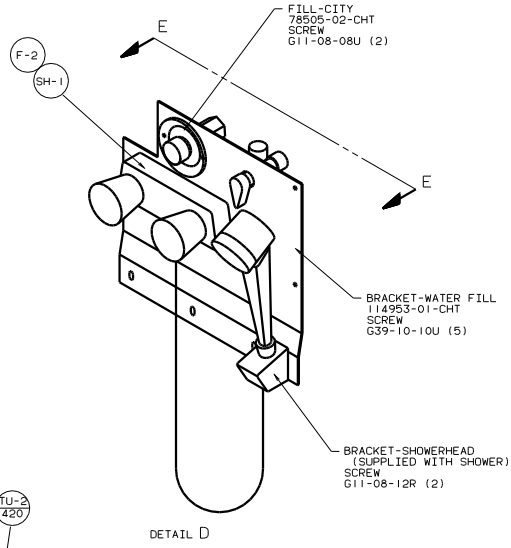
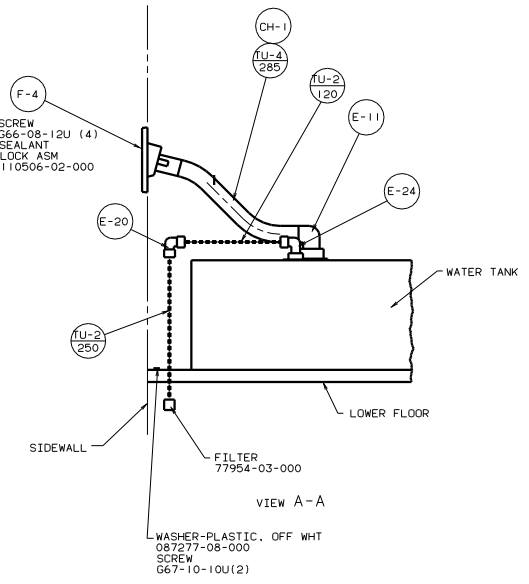
TANK ASM-WATER
 109392-07-000
 109392-08-000 Ⓢ

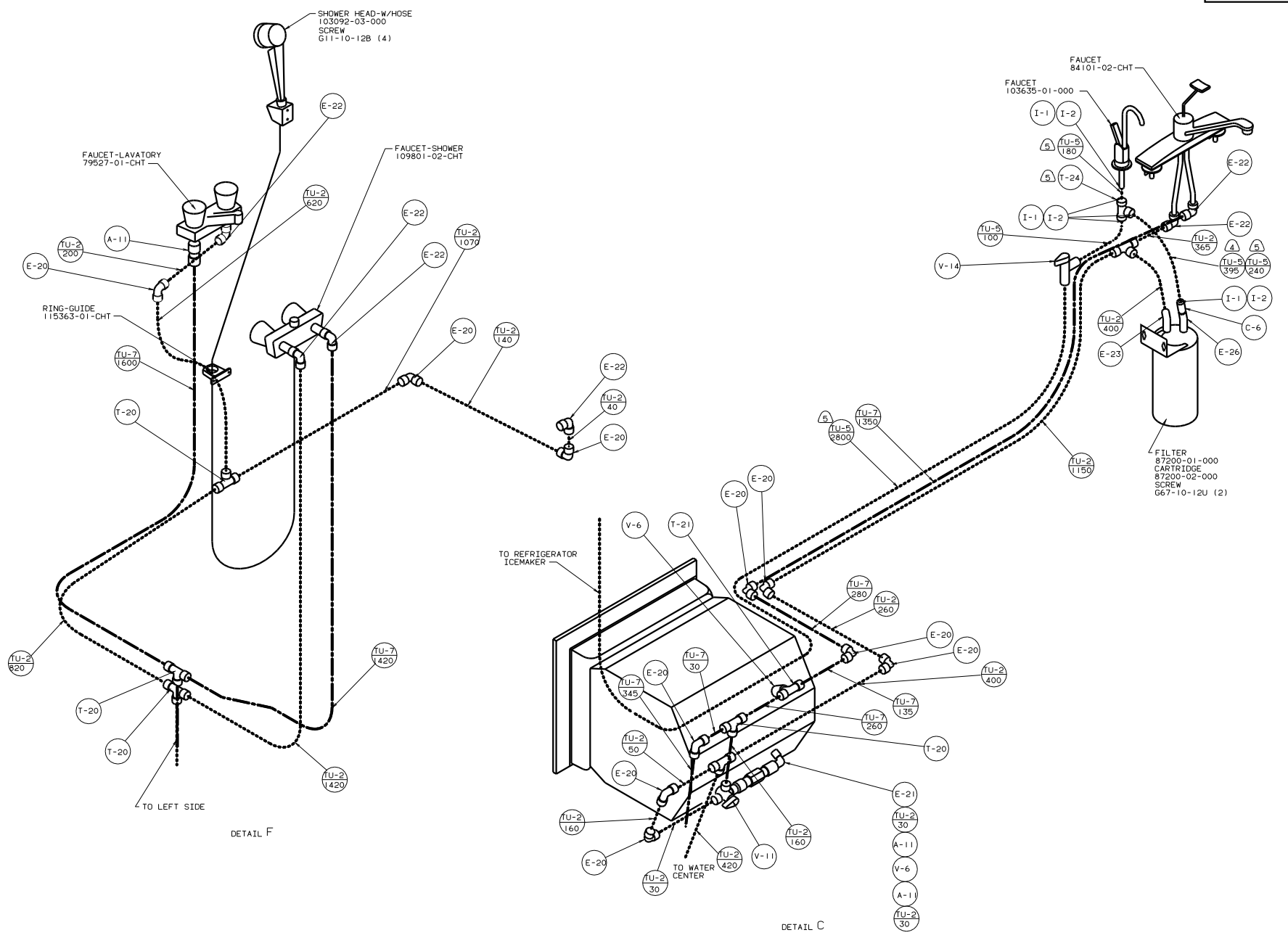
- Ⓢ USE WITH W.I.E. EXPORT PREP PACKAGE.
- Ⓢ USE WITH REFRIGERATOR ICEMAKER.
- Ⓢ USE WITHOUT REFRIGERATOR ICEMATER.
- 3. ALL TUBING TO BE SECURED AT 1200 INTERVALS MAXIMUM WITH CLAMP 10495-01-000 AND SCREW G67-10-12B.
- 2. TUBING TO BE INSTALLED WITH SUFFICIENT SLOPE TO PROVIDE DRAINAGE TO NEAREST VALVE.
- 1. PLASTIC FITTINGS TO BE SEALED WITH SEALANT 84456-01-000.

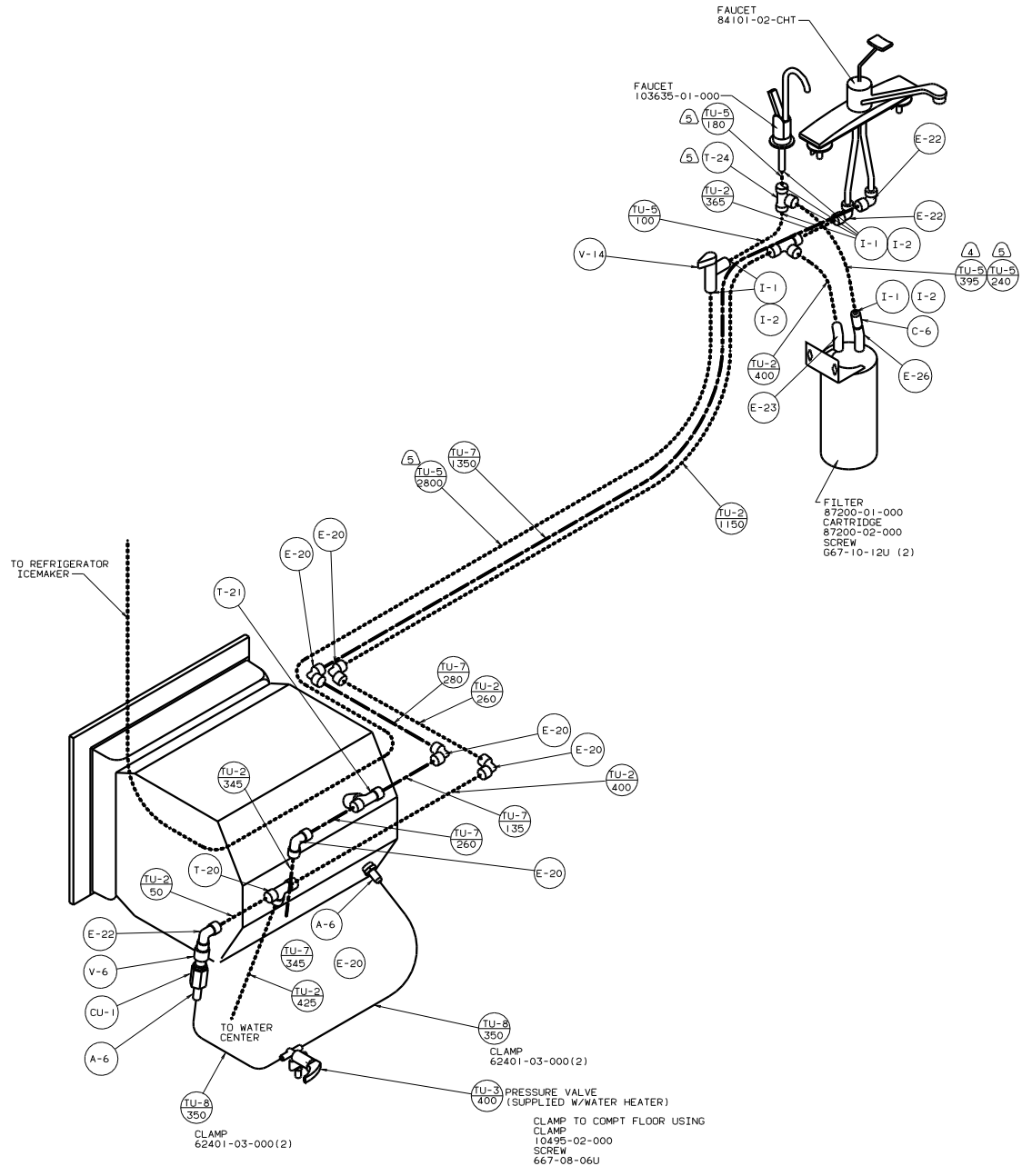
FOR WATER CALLOUTS SEE DWG NO. 116230-01-000

LEGEND	
HOT	—————
COLD	—————

DFTB DATE DWG DATE P.E. DATE D.L. DATE DWD DATE		UNDESIGNED TOLERANCES ARE:		MATERIAL: WHOLE SHEET 11.000 + TWO-PLATE 11.000 + ANGLE THIRD ANGLE PROJECTION
		WINNEBAGO 97 M31R0		
LAYER M31R0		TITLE: WATER SYSTEM INSTL		REF: 115033 J 1
DSN # SCALE: NONE		SHEET 1 OF 4		







DETAIL C WITH W.I.E. EXPORT PREP PACKAGE

97 M31RQ

TITLE		WATER SYSTEM INSTL	
NO	SCALE	REV	DATE
1		1	
SHEET 4 OF 4		124082	