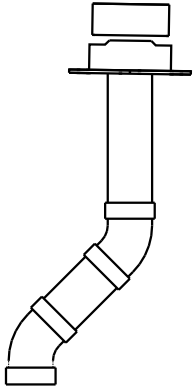


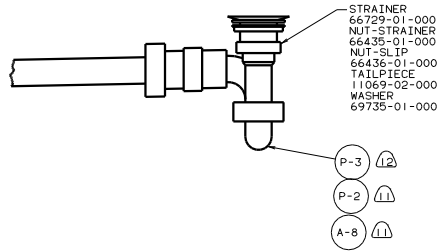
- (12) CSA ONLY.
 - (11) US ONLY.
 - (10) SECURE VENT TUBES TO FLOOR WITH BRACKET.
 - (9) VENT PIPE MUST PROJECT 51 MM MIN AND 63.5 MM MAX ABOVE ROOF FOR PROPER FIT AND FUNCTION.
 - 8. SEE DWG 61607-01-000 FOR INSTL OF GROMMETS.
 - 7. SEAL ALL AROUND SHOWER WITH SILICONE.
 - 6. FOR CANADIAN UNITS EACH HOLDING TANK SHALL HAVE A CSA APPROVAL STAMPED NEAR THE TAMPO APPROVAL.
 - 5. EXPOSED PIPE ABOVE ROOF TO BE PAINTED WITH 37163-01-000.
 - 4. ALL EXTERIOR OPENINGS AROUND PIPE TO BE SEALED WITH 11074-01-000.
 - 3. ALL PIPE AND FITTINGS TO BE ASSEMBLED WITH SOLVENT 4020-01-000.
 - 2. SLOPE OF TRAP ARM MUST BE 6 PER 305.
 - 1. SLOPE OF HORIZONTAL PIPING TO BE 6 PER 305 MIN.
- NOTES:

(X-X)
 FOR DRAINAGE CALLOUTS
 SEE DWG NO. 116229-01-000

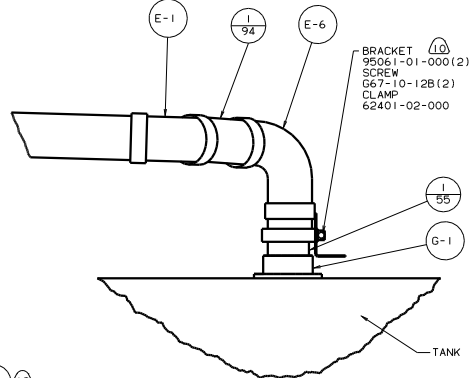
		97 G35W0
OF THE	DATE	UNDESIGNED TOLERANCES ARE:
COMP	DATE	FR. 006 (11)
DATE	DATE	ONE-PLACE (12.01)
DATE	DATE	TWO-PLACE (12.00)
DATE	DATE	THREE-PLACE (12.000)
DATE	DATE	FOUR-PLACE (12.0000)
DATE	DATE	FIVE-PLACE (12.00000)
DATE	DATE	SIX-PLACE (12.000000)
DATE	DATE	SEVEN-PLACE (12.0000000)
DATE	DATE	EIGHT-PLACE (12.00000000)
DATE	DATE	NINE-PLACE (12.000000000)
DATE	DATE	TEN-PLACE (12.0000000000)
Dwg NO 123420 SHEET 1 OF 3		REF: 119103.E 1



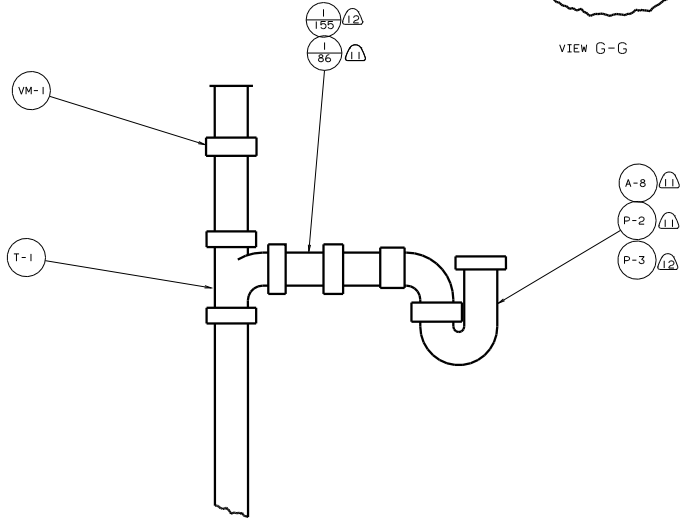
VIEW H-H



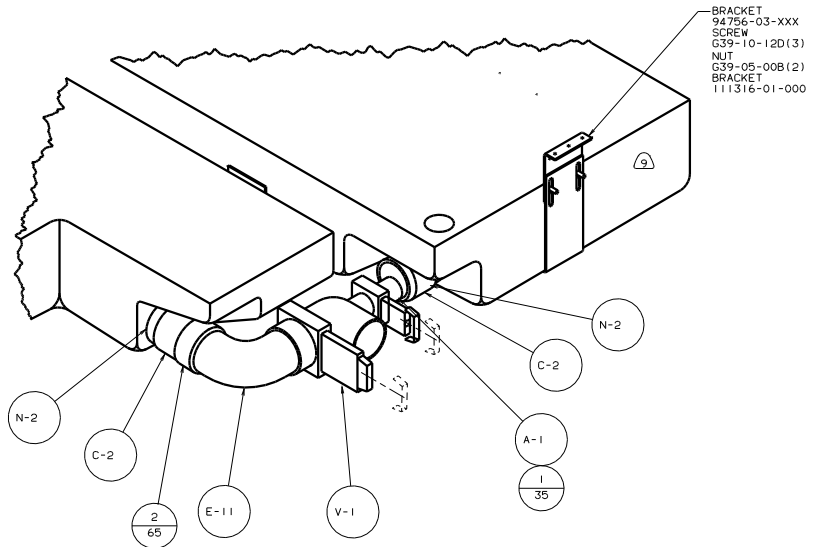
VIEW C-C



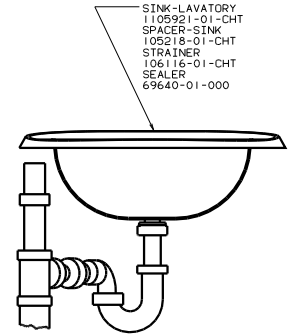
VIEW G-G



VIEW B-B

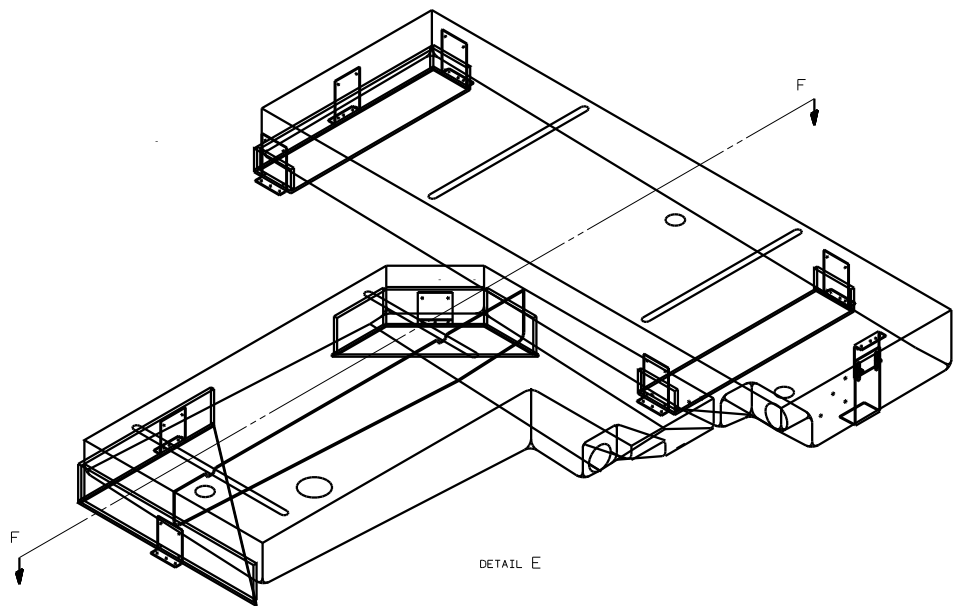


VIEW A-A

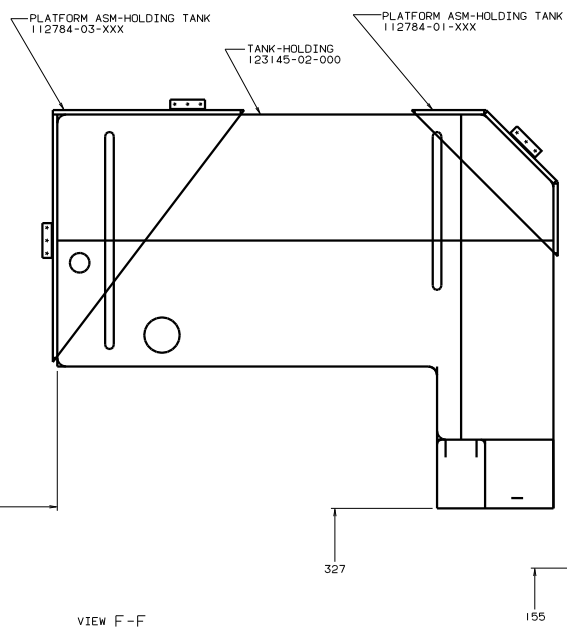
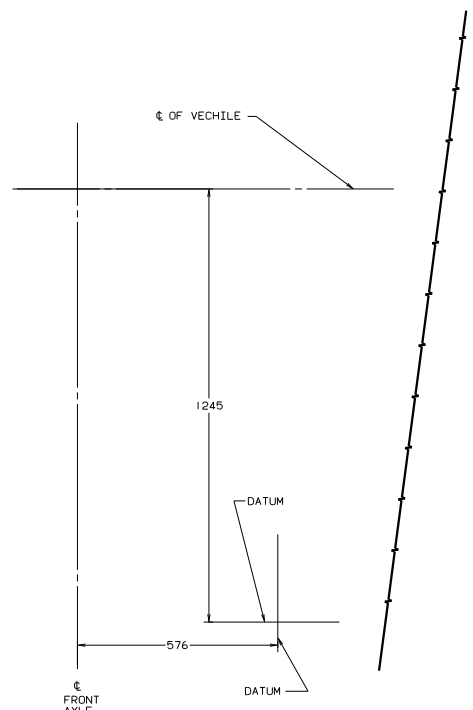


VIEW D-D

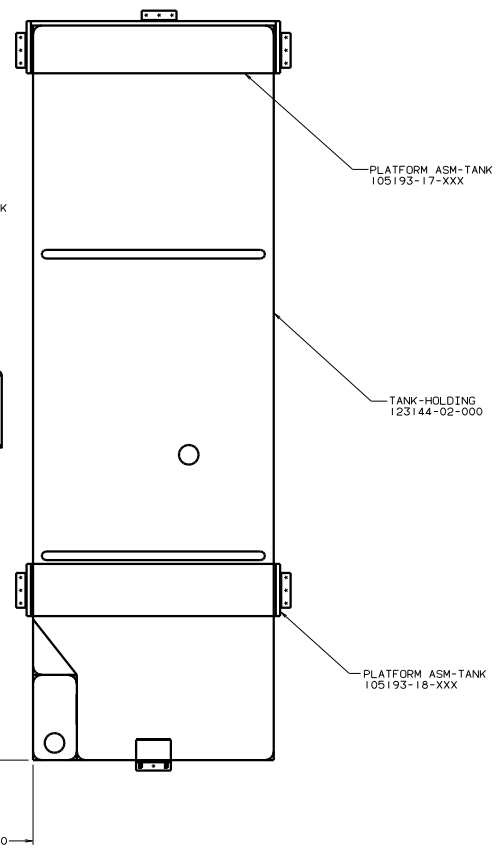
TITLE: DRAINAGE SYSTEM INSTL	
DO NOT SCALE DRAWING	DATE: 11/01/05
SHEET 2 OF 3	DWG NO: 123420



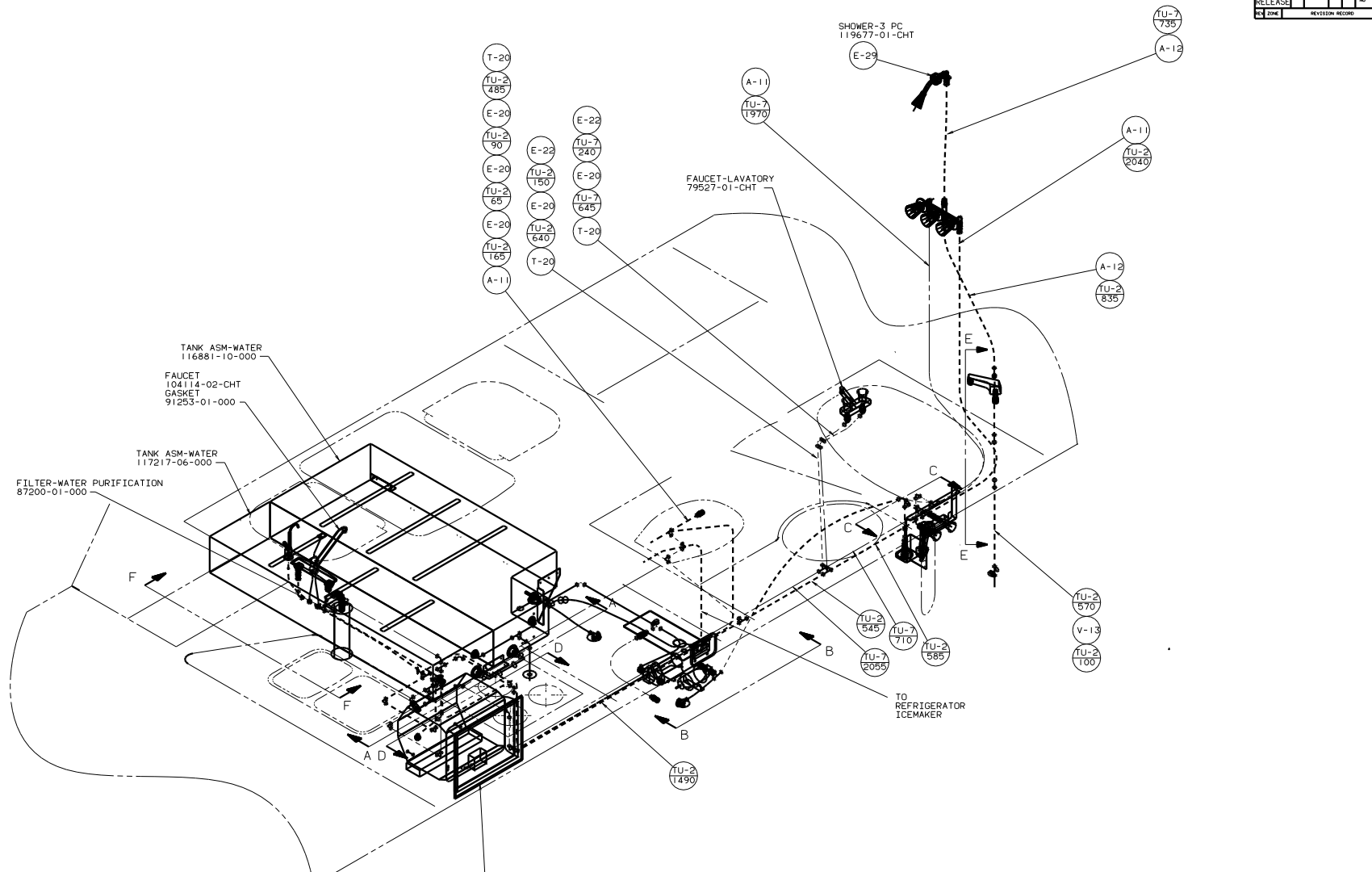
DETAIL E



VIEW F-F



TITLE: DRAINAGE SYSTEM INSUL		DWG NO: 123420	
30 THE SCALE DRAWING	3 OF 3	1/E	123420



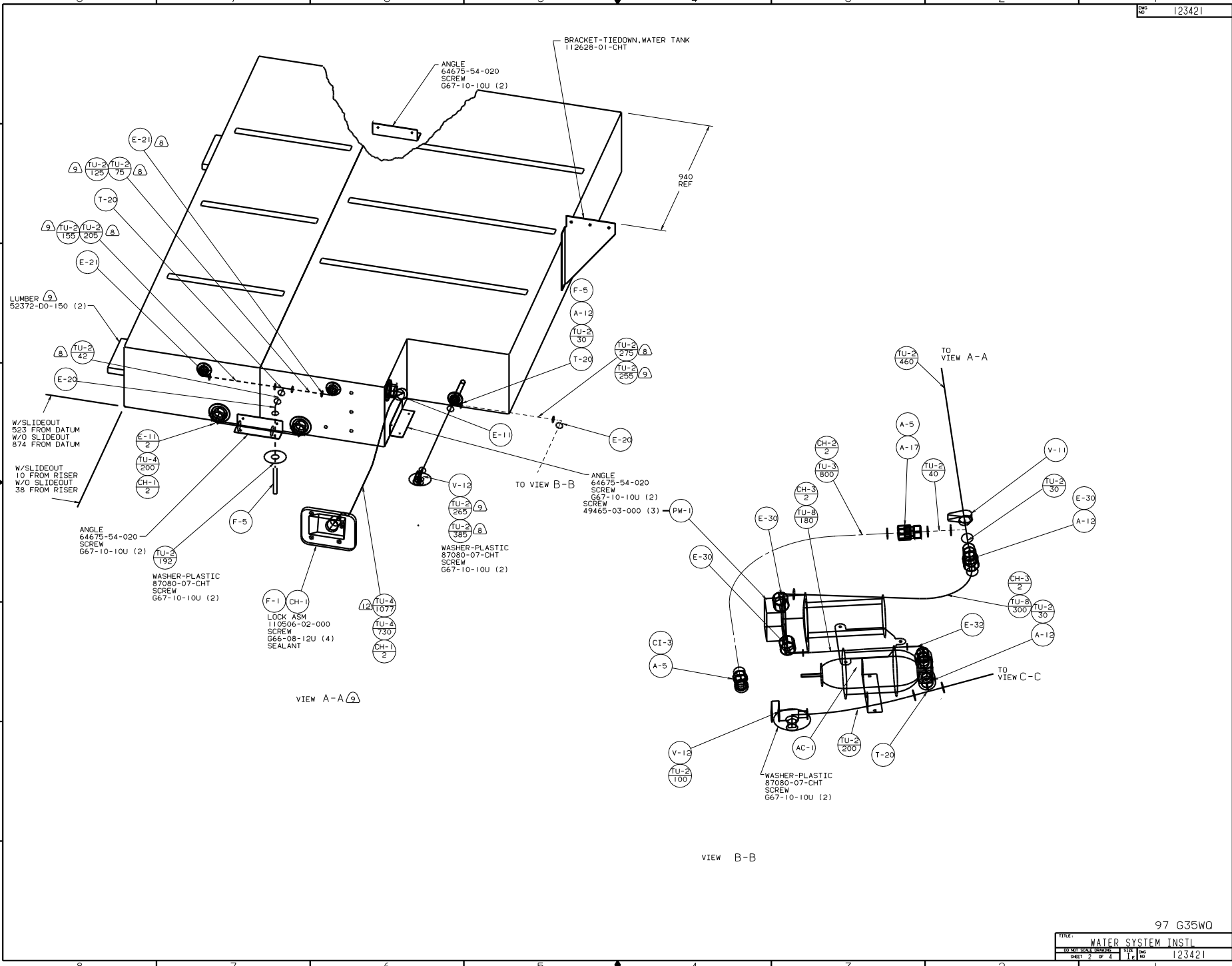
- ⑨ NOT USED WITH SLIDEOUT.
- ⑧ USE WITH SLIDEOUT.
- ⑦ USE WITH ICE MAKER.
- ⑥ USE WITH WATER PURIFIER.
- ⑤ CLAMP MUST BE ON BARBS.
- ④ LOCATE LUMBER TO SUPPORT WATER HEATER.

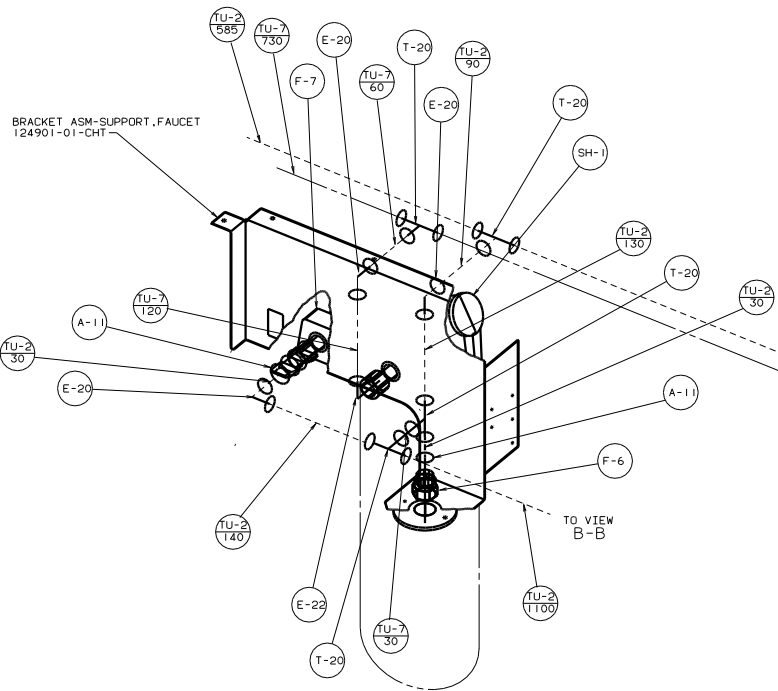
3. ALL TUBING TO BE SECURED AT 1200 INTERVALS MAX WITH CLIP 91951-01-000 AND SCREW G13-06-16U.
2. TUBING TO BE INSTALLED WITH SUFFICIENT SLOPE TO PROVIDE DRAINAGE TO NEAREST VALVE.
1. PLASTIC FITTINGS TO BE SEALED WITH SEALANT 84456-01-000.

FOR WATER CALLOUTS SEE DWG NO. 116230-01-000

LEGEND	
HOT	●●●●●●
COLD	●●●●●●

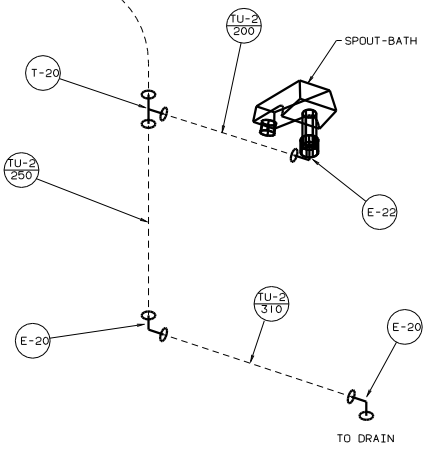
WINNEBAGO		97 G35WO
DATE	DATE	UNSPECIFIED TOLERANCES ARE:
DATE	DATE	WHOLE DIM (IN) .1
DATE	DATE	ONE-PLACE (IN) .01
DATE	DATE	TWO-PLACE (IN) .001
DATE	DATE	THREE-PLACE (IN) .0005
DATE	DATE	FOUR-PLACE (IN) .0001
DATE	DATE	FIVE-PLACE (IN) .00005
DATE	DATE	SIX-PLACE (IN) .00001
DATE	DATE	SEVEN-PLACE (IN) .000005
DATE	DATE	EIGHT-PLACE (IN) .000001
DATE	DATE	NINE-PLACE (IN) .0000005
DATE	DATE	TEN-PLACE (IN) .0000001
DATE	DATE	UNSPECIFIED TOLERANCES ARE:
DATE	DATE	WHOLE DIM (MM) .1
DATE	DATE	ONE-PLACE (MM) .01
DATE	DATE	TWO-PLACE (MM) .001
DATE	DATE	THREE-PLACE (MM) .0005
DATE	DATE	FOUR-PLACE (MM) .0001
DATE	DATE	FIVE-PLACE (MM) .00005
DATE	DATE	SIX-PLACE (MM) .00001
DATE	DATE	SEVEN-PLACE (MM) .000005
DATE	DATE	EIGHT-PLACE (MM) .000001
DATE	DATE	NINE-PLACE (MM) .0000005
DATE	DATE	TEN-PLACE (MM) .0000001



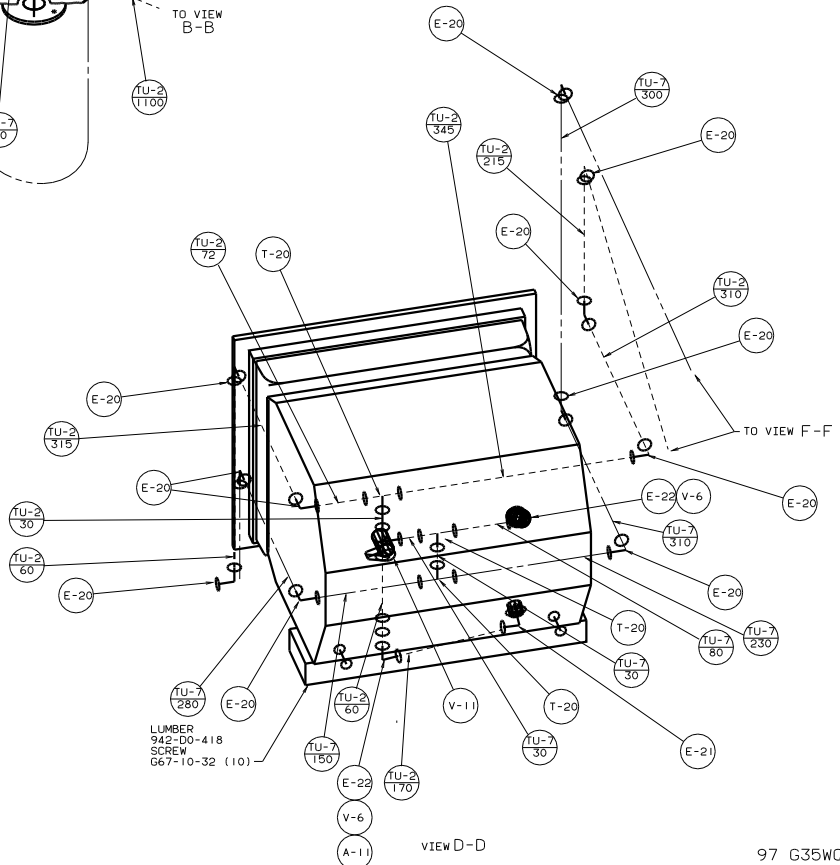


VIEW C-C

TO SHOWER



VIEW E-E

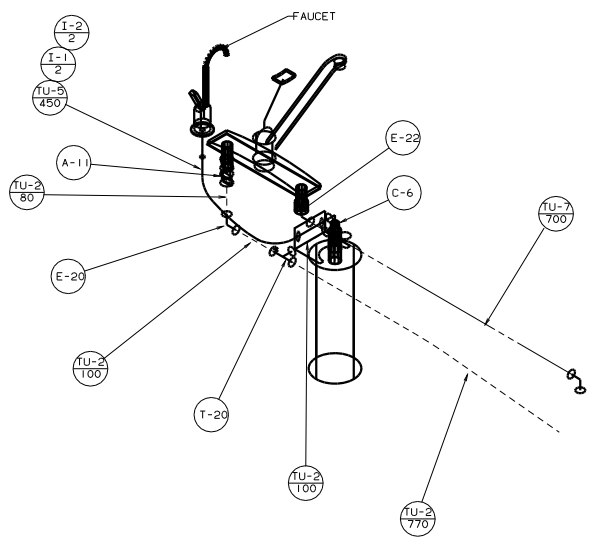


VIEW D-D

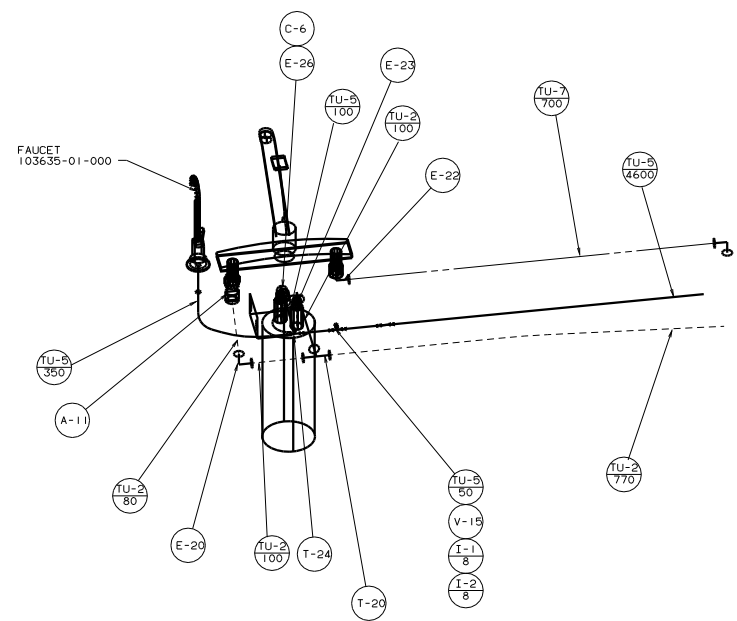
LUMBER
942-DO-418
SCREW
667-10-32 (10)

97 G35WQ

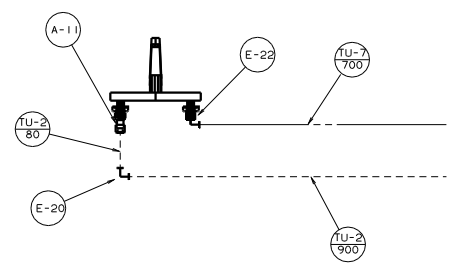
TITLE		WATER SYSTEM INSTL	
NO	SCALE	REV	DATE
3		4	



VIEW F-F (6)



VIEW F-F (6) (7)



VIEW F-F (9)