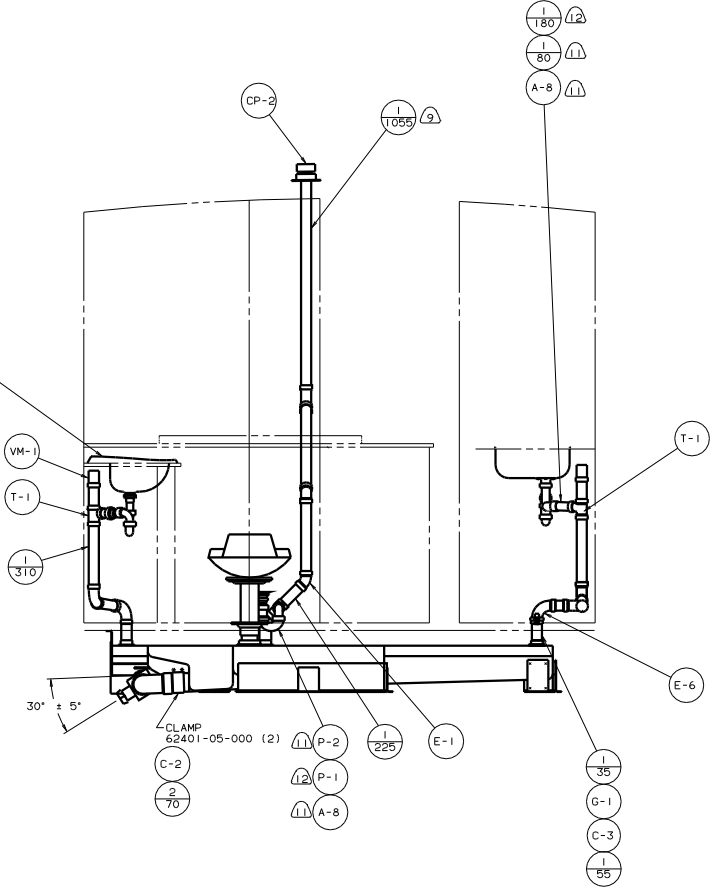
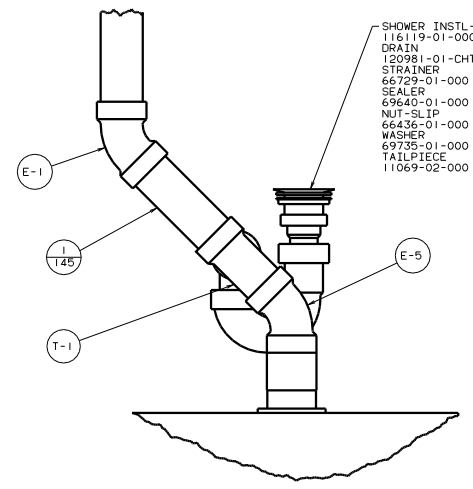


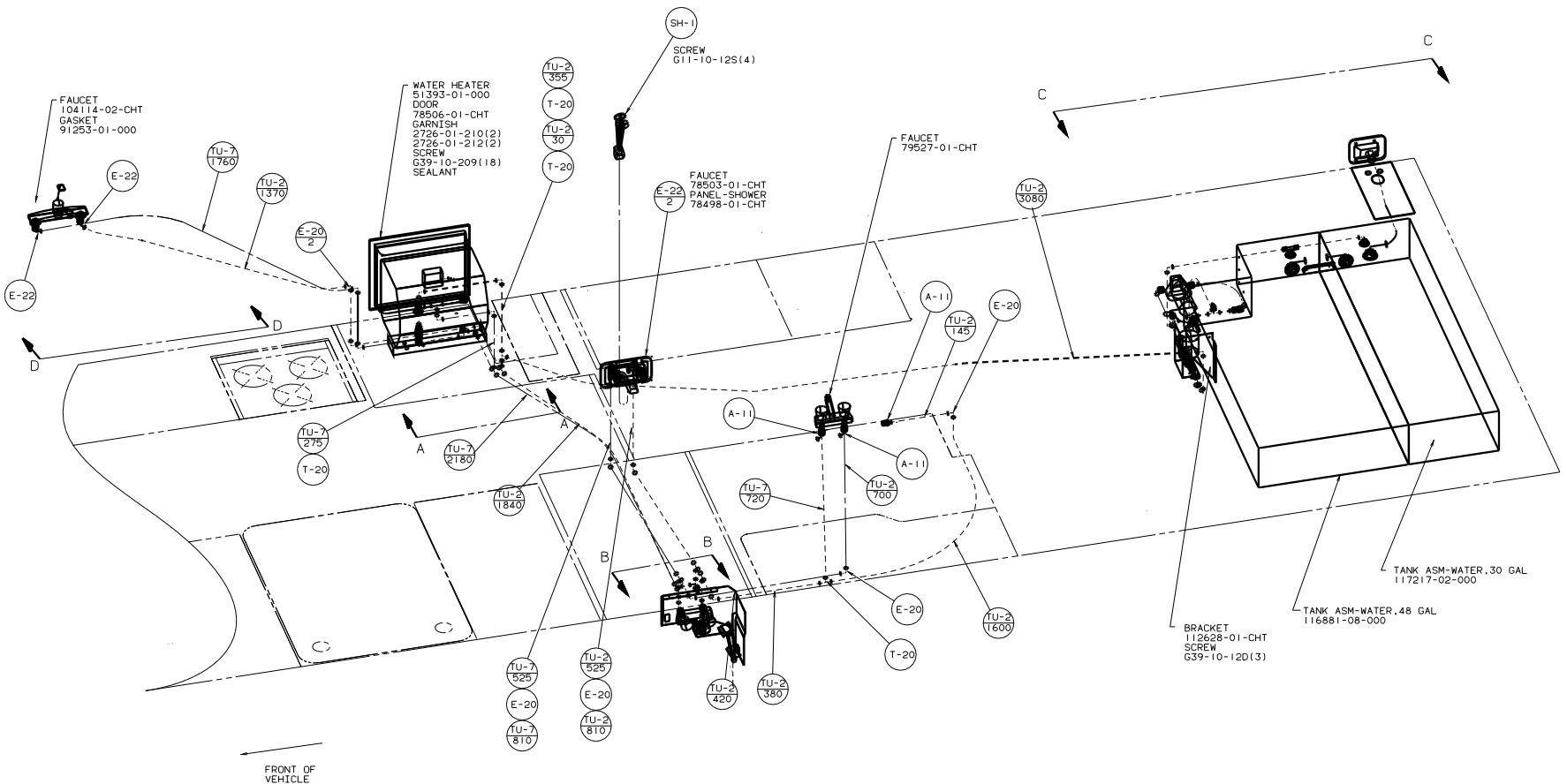
SINK-LAVATORY
 105921-01-CHT
 STRAINER
 106116-01-CHT
 SEALER
 69640-01-000
 SPACER-SINK
 105218-01-CHT



VIEW A-A



VIEW B-B



FRONT OF VEHICLE

- ⑧ OUTLET OF VALVE TOWARD PUMP MUST BE OPEN AT ALL TIMES.
 - ⑦ USE WITH ICE MAKER.
 - ⑥ USE WITH WATER PURIFIER.
 - ⑤ CLAMP MUST BE ON BARBS.
 - ④ LOCATE LUMBER TO SUPPORT WATER HEATER.
3. ALL TUBING TO BE SECURED AT 1200 INTERVALS MAX WITH CLIP 91951-01-000 AND SCREW G13-06-16U.
2. TUBING TO BE INSTALLED WITH SUFFICIENT SLOPE TO PROVIDE DRAINAGE TO NEAREST VALVE.
1. PLASTIC FITTINGS TO BE SEALED WITH SEALANT 84456-01-000.

FOR WATER CALLOUTS SEE DWG NO. 116230-01-000

LEGEND

HOT	-----
COLD	-----

WINNEBAGO 97 G34WK

DATE	UNDESIGNED TOLERANCES ARE:	MATERIAL
DATE	WHOLE DIM (IN)	1/4
DATE	ONE-PLACE (IN.XI)	1/16
DATE	TWO-PLACE (IN.XXX)	1/32
DATE	MIXED	
DATE	THIRD-PLACE (IN.XXX)	
DATE	PRODUCTION	

LANE# G34WK TITLE WATER SYSTEM INSTL
 REV # SCALE NOTE 20-100 SCALE 1:1 SHEET 1 OF 3
 ALL DIMENSIONS ARE IN MILLIMETERS

