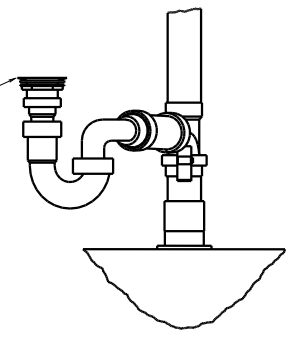


- SHOWER INSTL-ENCLOSURE
- 115119-01-000
- DRAIN
- 120981-01-CHT (US)
- STRAINER
- 66729-01-000 (CAN)
- SEALER
- 69640-01-000
- NUT-SLIP
- 66436-01-000
- WASHER
- 69735-01-000
- TAILPIECE
- 11069-02-000

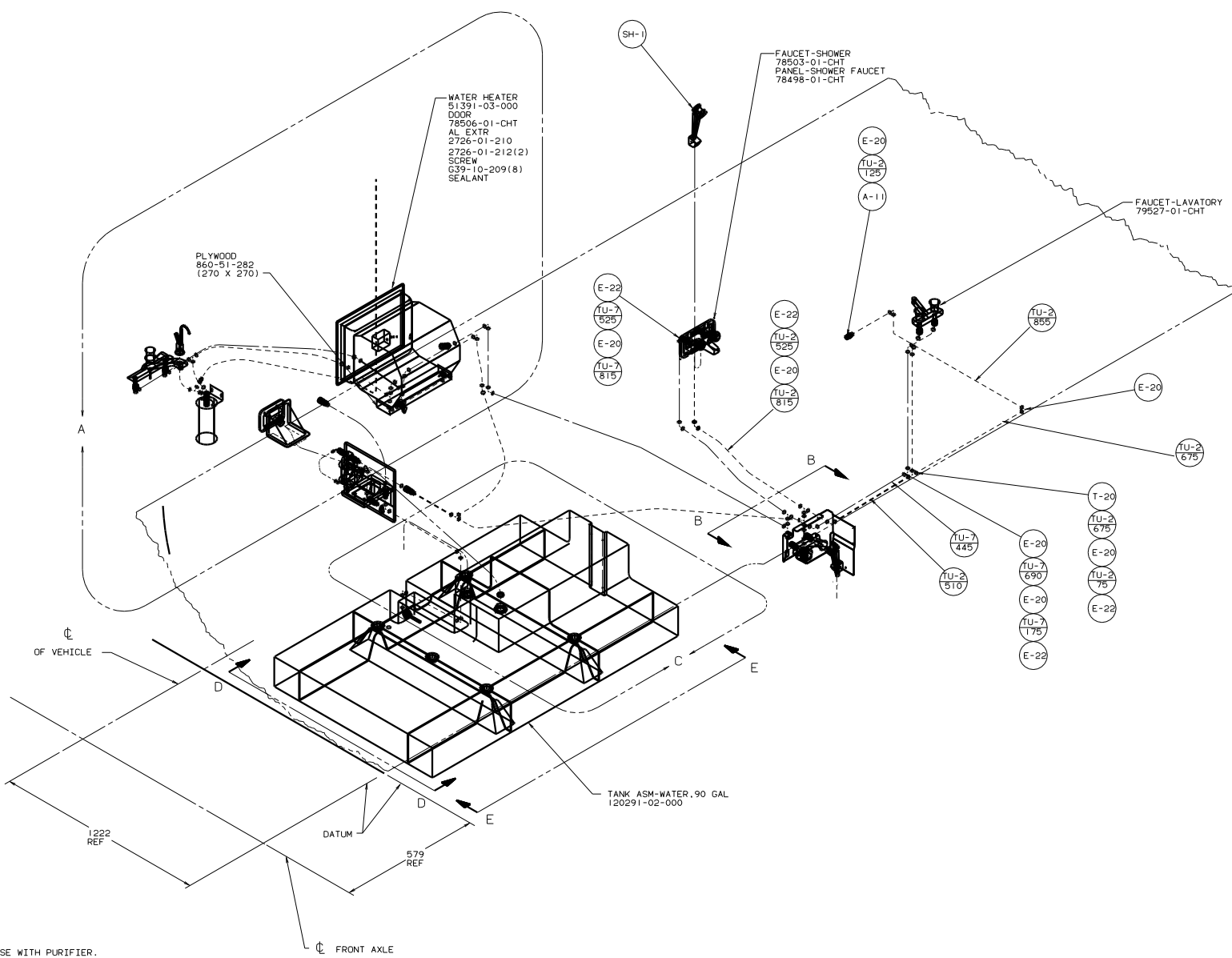


VIEW C-C

- VIEW B-B
- CLAMP
- 62401-05-000
- BRACKET
- 95061-01-000
- SCREW
- G67-10-12B

97 G34WK PUSHER

TITLE: DRAINAGE SYSTEM INSTL		REV: 1	
DATE: 2/05	DRAWN: J.E.	CHECKED: J.E.	INC NO: 122598
SHEET 2 OF 2			

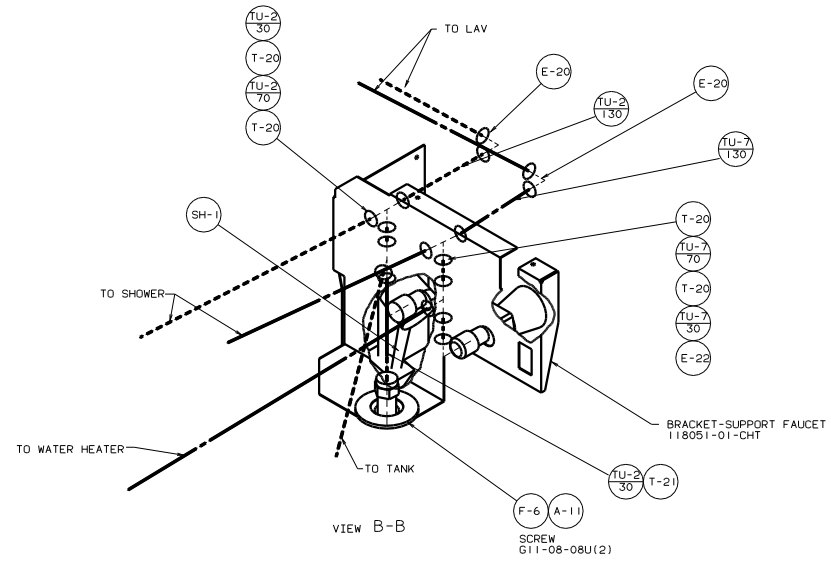
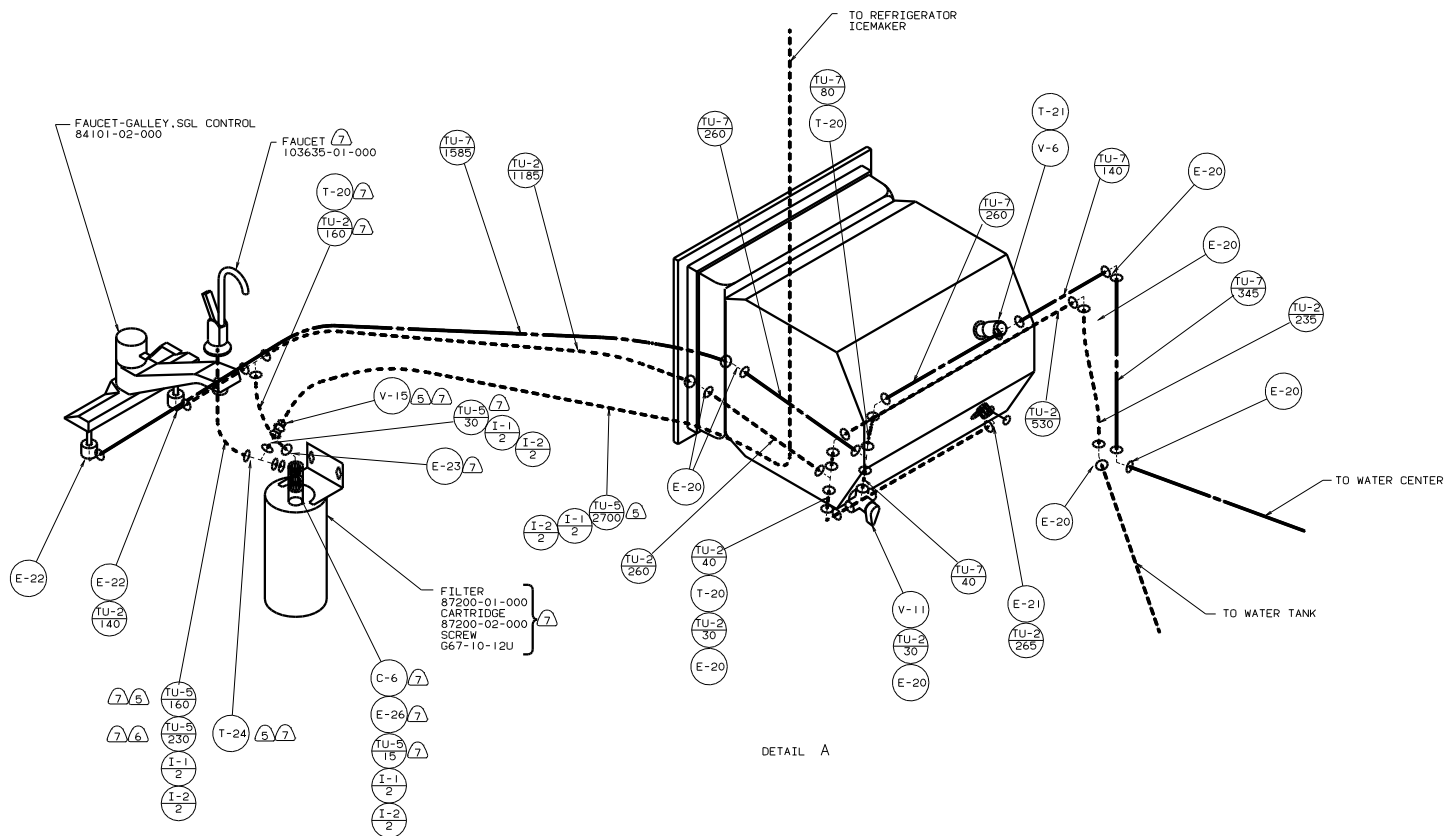


- 7 USE WITH PURIFIER.
- 6 USE WITHOUT ICEMAKER.
- 5 USE WITH ICE MAKER.
- 4. CLAMPS MUST BE ON BARBS.
- 3. ALL TUBING TO BE SECURED AT 1200 INTERVALS MAXIMUM WITH CLAMP 10495-01-000 AND SCREW G67-10-12B.
- 2. TUBING TO BE INSTALLED WITH SUFFICIENT SLOPE TO PROVIDE DRAINAGE TO NEAREST VALVE.
- 1. PLASTIC FITTINGS TO BE SEALED WITH SEALANT 84456-01-000.

FOR DRAINAGE CALLOUTS SEE DWG NO. 116229-01-000

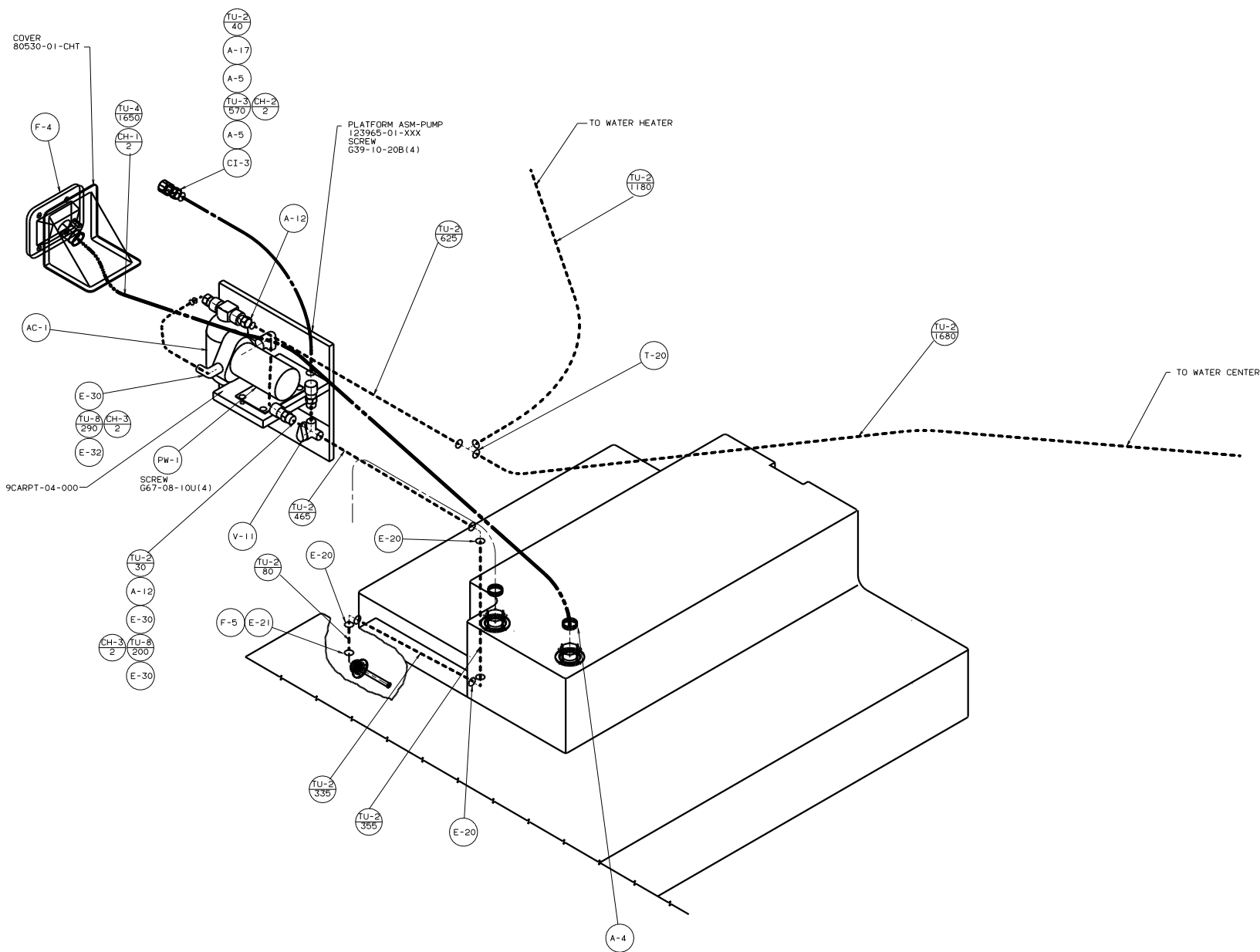
LEGEND	
HOT	-----
COLD	-----

WINNEBAGO 97 G34WK PUSHER			
OF IN	DATE	UNDESIGNED TOLERANCES ARE:	MATERIAL
OMP	DATE	ONE-PLACE (X.X1)	
PIE	DATE	TWO-PLACE (X.XX)	
PIE	DATE	THREE-PLACE (X.XXX)	
COMP	DATE	THREE-PLACE PRODUCTION	
LANCH NO. GK34WK	TITLE: WATER SYSTEM INSTL		
REV #	SCALE: NONE	DO NOT SCALE DIMENSIONS	FIG. NO. 122597
ALL DIMENSIONS ARE IN MILLIMETERS	SHEET 1 OF 4	1:1	



97 G34WK PUSHER

TITLE		WATER SYSTEM INSTL	
NO	SCALE	REV	DATE
2		1	
SHEET 2 of 4		122597	

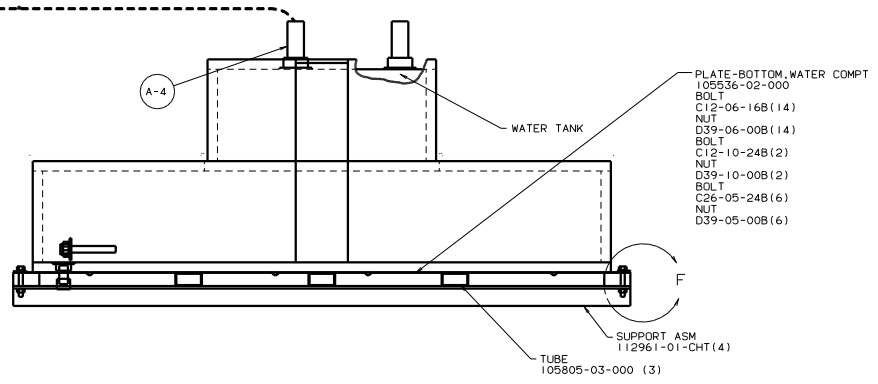
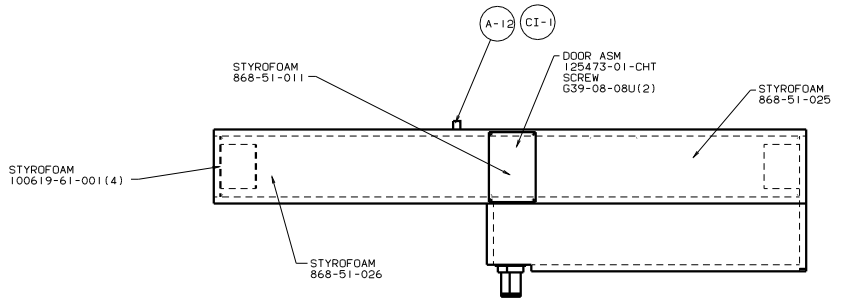


DETAIL C

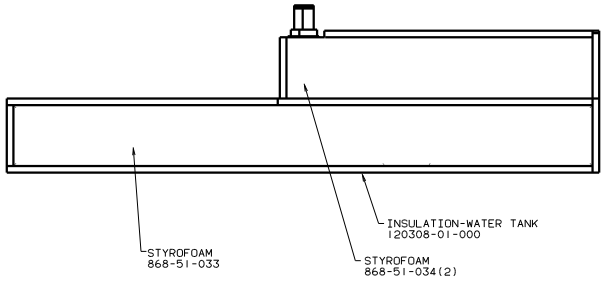
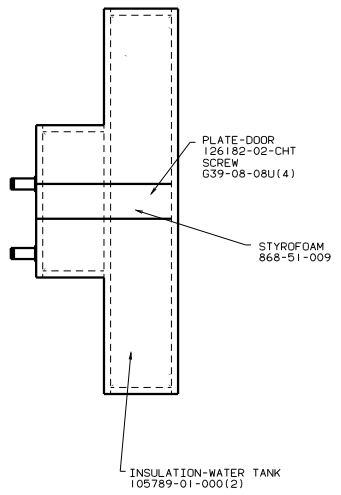
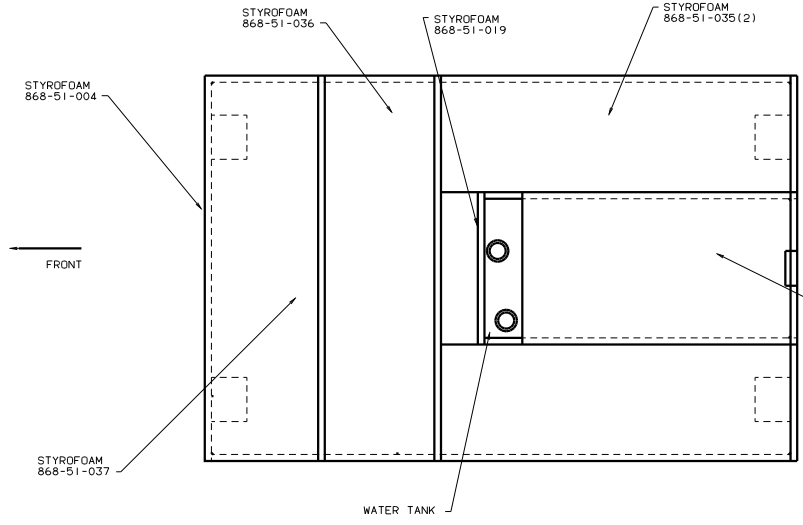
97 G34WK PUSHER

TITLE		WATER SYSTEM INSTL	
30	NO	1	REV
SHEET	3 OF 4	1	NO

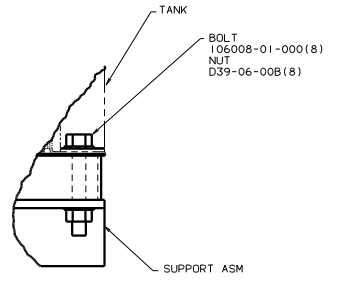
TU-5
750
CH-1
2
SCREEN
78475-01-000
(100 X 100)



VIEW D-D



VIEW E-E



DETAIL F

97 G34WK,PUSHER

TITLE		WATER SYSTEM INSTL	
NO	SCALE	REV	DATE
4	of 4	1	122597