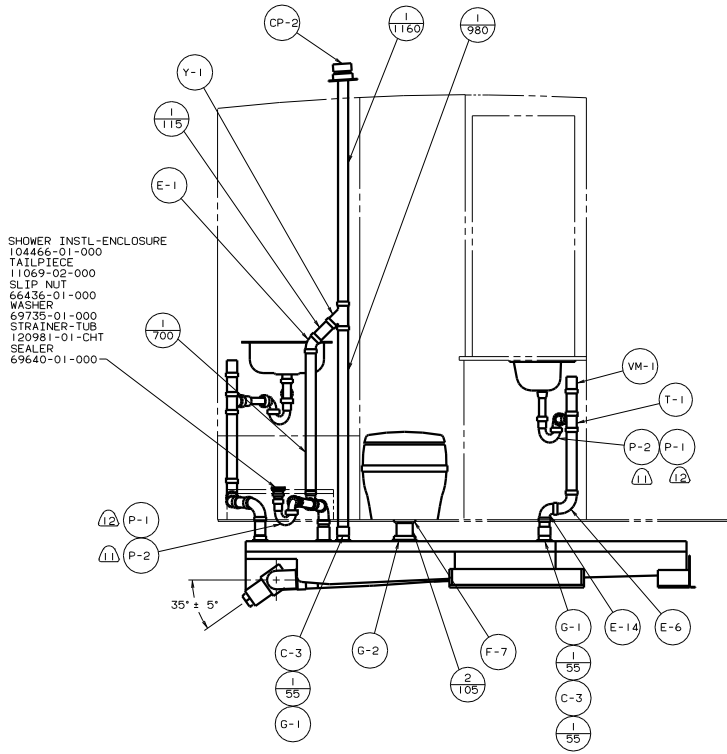


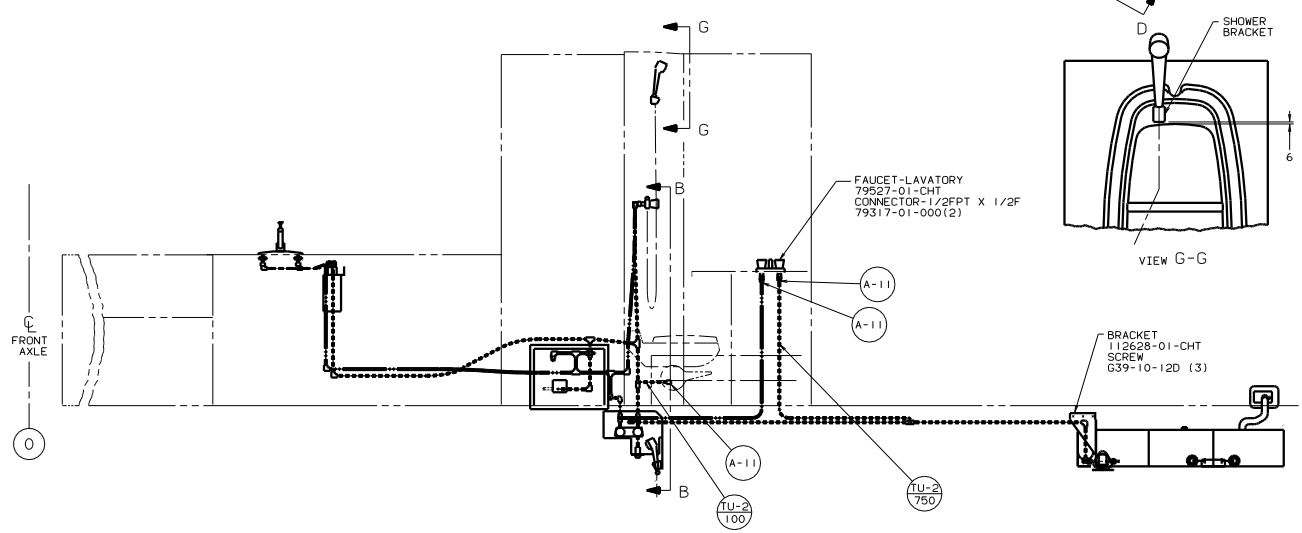
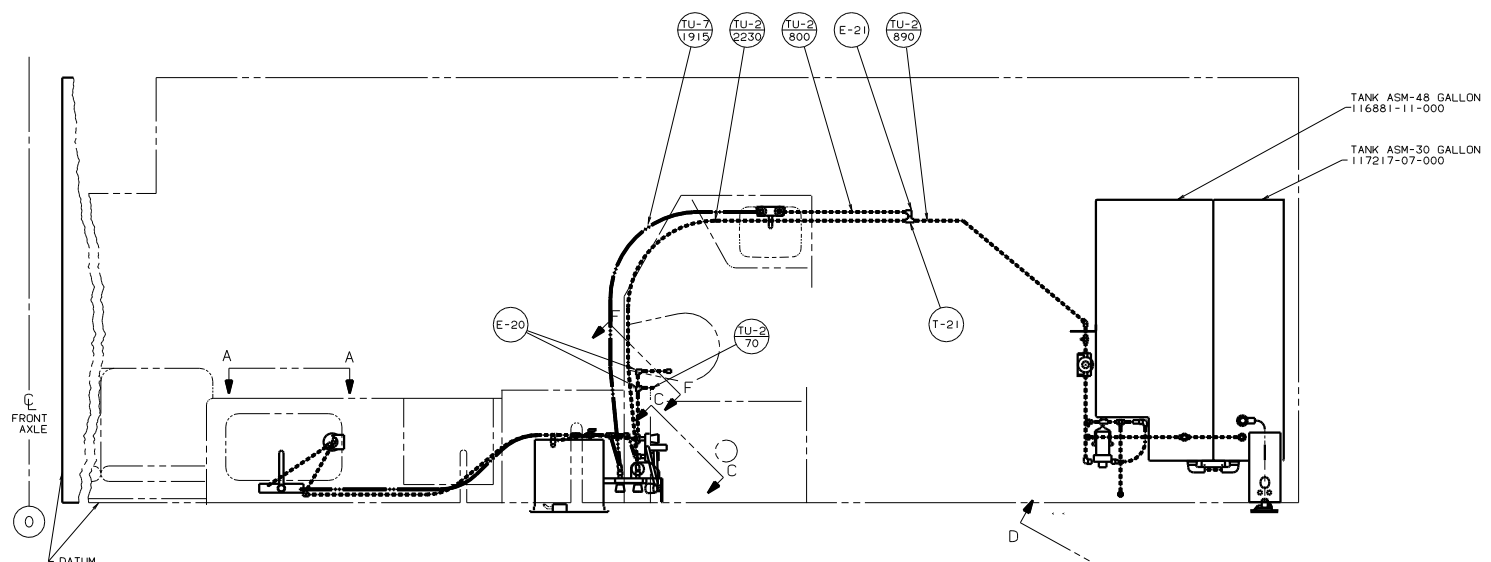
- (12) CSA ONLY.
 - (11) US ONLY.
 - 10 SECURE VENT TUBES TO FLOOR WITH BRACKET 95061-01-000(2), CLAMP 62401-02-000, PLATE COVER 94346-03-000, SCREW G67-10-12B(2), AND STAPLE 5403-03-000.
 - (9) VENT PIPE MUST PROJECT 51 MM MIN AND 63.5 MM MAX ABOVE ROOF FOR PROPER FIT AND FUNCTION.
 - 8. SEE DWG 61607-01-000 FOR INSTL OF GROMMETS.
 - 7. SEAL ALL AROUND SHOWER WITH SILICONE.
 - 6. FOR CAN UNITS EACH HOLDING TANK SHALL HAVE A CSA APPROVAL STAMPED NEAR THE TAMPO APPROVAL.
 - 5. EXPOSED PIPE ABOVE ROOF TO BE PAINTED 37163-01-000.
 - 4. ALL EXTERIOR OPENINGS AROUND PIPE TO BE SEALED WITH 110744-01-000.
 - 3. ALL PIPE AND FITTINGS TO BE ASSEMBLED WITH SOLVENT 4020-01-000.
 - 2. SLOPE OF TRAP ARM MUST BE 6 PER 305.
 - 1. SLOPE OF HORIZONTAL PIPING TO BE 6 PER 305 MIN.
- NOTES:



		95 G34WA	
DATE	DATE	UNDESIGNED TOLERANCES ARE:	MATERIAL
DATE	DATE	WHOLE DIM (IN)	
DATE	DATE	ONE-PLACE (IN.X1)	
DATE	DATE	TWO-PLACE (IN.XX)	
DATE	DATE	THREE-PLACE (IN.XXX)	
DATE	DATE	FOUR-PLACE (IN.XXXX)	
DATE	DATE	FIVE-PLACE (IN.XXXXX)	
DATE	DATE	SIX-PLACE (IN.XXXXXX)	
DATE	DATE	SEVEN-PLACE (IN.XXXXXXX)	
DATE	DATE	EIGHT-PLACE (IN.XXXXXXX)	
DATE	DATE	NINE-PLACE (IN.XXXXXXX)	
DATE	DATE	TEN-PLACE (IN.XXXXXXX)	
DATE	DATE	UNDESIGNED TOLERANCES ARE:	
DATE	DATE	WHOLE DIM (IN)	
DATE	DATE	ONE-PLACE (IN.X1)	
DATE	DATE	TWO-PLACE (IN.XX)	
DATE	DATE	THREE-PLACE (IN.XXX)	
DATE	DATE	FOUR-PLACE (IN.XXXX)	
DATE	DATE	FIVE-PLACE (IN.XXXXX)	
DATE	DATE	SIX-PLACE (IN.XXXXXX)	
DATE	DATE	SEVEN-PLACE (IN.XXXXXXX)	
DATE	DATE	EIGHT-PLACE (IN.XXXXXXX)	
DATE	DATE	NINE-PLACE (IN.XXXXXXX)	
DATE	DATE	TEN-PLACE (IN.XXXXXXX)	
DATE	DATE	UNDESIGNED TOLERANCES ARE:	
DATE	DATE	WHOLE DIM (IN)	
DATE	DATE	ONE-PLACE (IN.X1)	
DATE	DATE	TWO-PLACE (IN.XX)	
DATE	DATE	THREE-PLACE (IN.XXX)	
DATE	DATE	FOUR-PLACE (IN.XXXX)	
DATE	DATE	FIVE-PLACE (IN.XXXXX)	
DATE	DATE	SIX-PLACE (IN.XXXXXX)	
DATE	DATE	SEVEN-PLACE (IN.XXXXXXX)	
DATE	DATE	EIGHT-PLACE (IN.XXXXXXX)	
DATE	DATE	NINE-PLACE (IN.XXXXXXX)	
DATE	DATE	TEN-PLACE (IN.XXXXXXX)	
DATE	DATE	UNDESIGNED TOLERANCES ARE:	
DATE	DATE	WHOLE DIM (IN)	
DATE	DATE	ONE-PLACE (IN.X1)	
DATE	DATE	TWO-PLACE (IN.XX)	
DATE	DATE	THREE-PLACE (IN.XXX)	
DATE	DATE	FOUR-PLACE (IN.XXXX)	
DATE	DATE	FIVE-PLACE (IN.XXXXX)	
DATE	DATE	SIX-PLACE (IN.XXXXXX)	
DATE	DATE	SEVEN-PLACE (IN.XXXXXXX)	
DATE	DATE	EIGHT-PLACE (IN.XXXXXXX)	
DATE	DATE	NINE-PLACE (IN.XXXXXXX)	
DATE	DATE	TEN-PLACE (IN.XXXXXXX)	
DATE	DATE	UNDESIGNED TOLERANCES ARE:	
DATE	DATE	WHOLE DIM (IN)	
DATE	DATE	ONE-PLACE (IN.X1)	
DATE	DATE	TWO-PLACE (IN.XX)	
DATE	DATE	THREE-PLACE (IN.XXX)	
DATE	DATE	FOUR-PLACE (IN.XXXX)	
DATE	DATE	FIVE-PLACE (IN.XXXXX)	
DATE	DATE	SIX-PLACE (IN.XXXXXX)	
DATE	DATE	SEVEN-PLACE (IN.XXXXXXX)	
DATE	DATE	EIGHT-PLACE (IN.XXXXXXX)	
DATE	DATE	NINE-PLACE (IN.XXXXXXX)	
DATE	DATE	TEN-PLACE (IN.XXXXXXX)	



VIEW A-A



- ⑥ BRACKET FLANGE TO BE MOUNTED FLUSH WITH TOP OF CHASSIS RISERS.
- ⑤ CLAMP MUST BE ON BARBS.
- ④ LOCATE LUMBER TO SUPPORT WATER HEATER.
3. ALL TUBING TO BE SECURED AT 1200 INTERVALS MAX WITH CLIP 91951-01-000 AND SCREW G13-06-16U.
2. TUBING TO BE INSTALLED WITH SUFFICIENT SLOPE TO PROVIDE DRAINAGE TO NEAREST VALVE.
1. PLASTIC FITTINGS TO BE SEALED WITH SEALANT 84456-01-000.

LEGEND

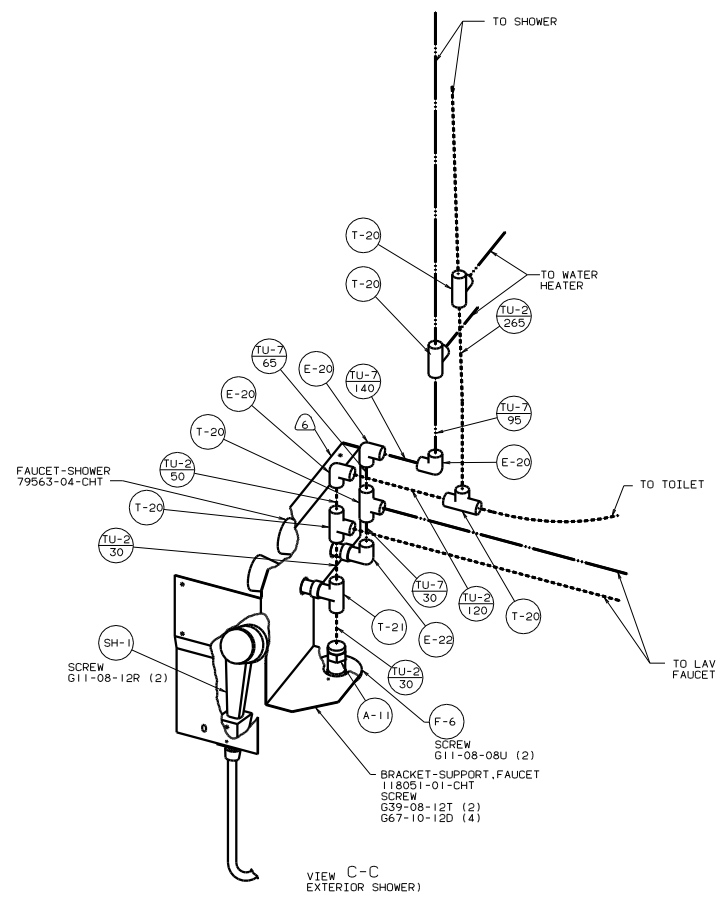
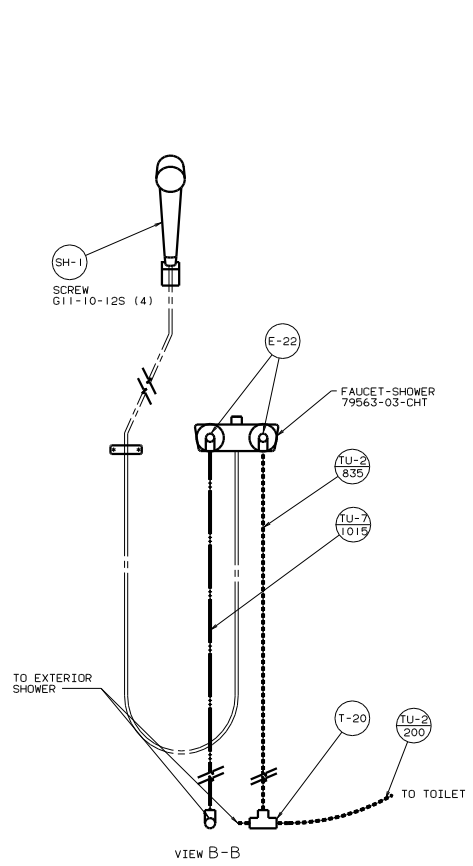
HOT	—————
COLD	—————

X-X FOR WATER CALLOUTS SEE DWG NO. 116230-01-000

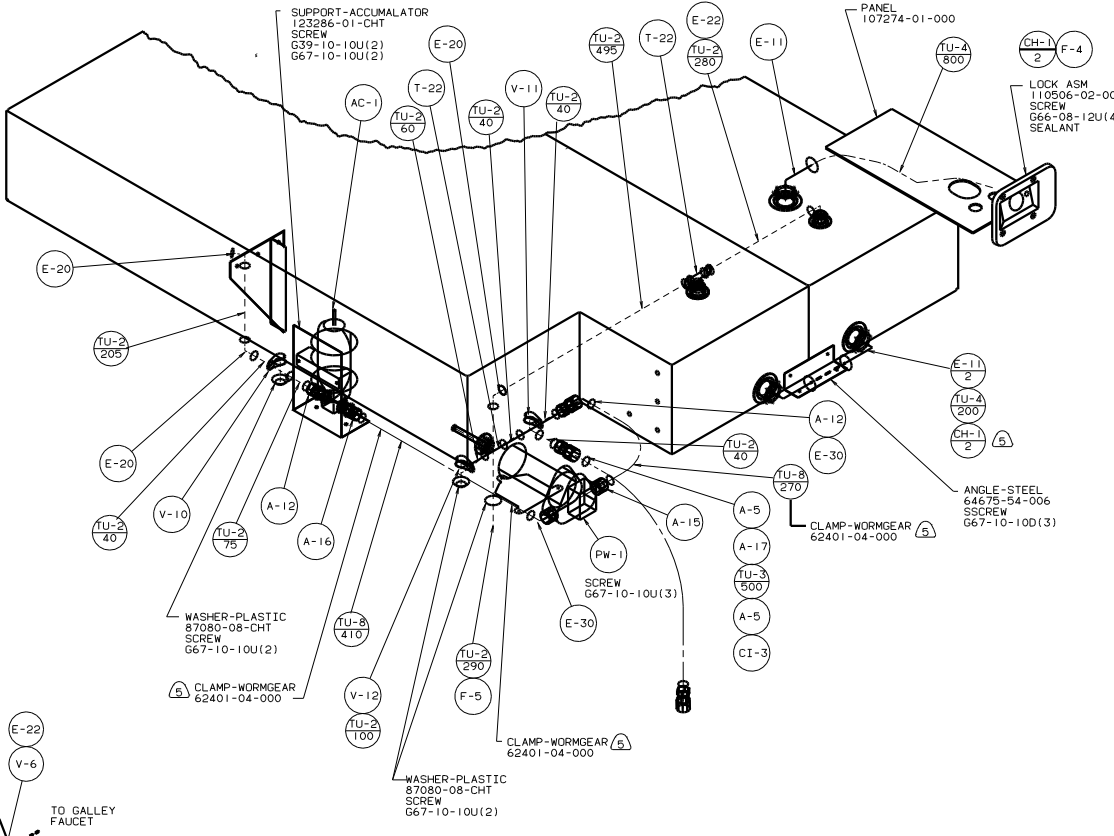
WINNEBAGO 97 G34WA

DATE	UNDESIGNED TOLERANCES ARE:	MATERIAL
DATE	WHOLE DIM (IN.)	
DATE	ONE-PLACE (IN.)	
DATE	TWO-PLACE (IN.)	
DATE	MILS	
DATE	THIRD ANGLE PICTORIAL	

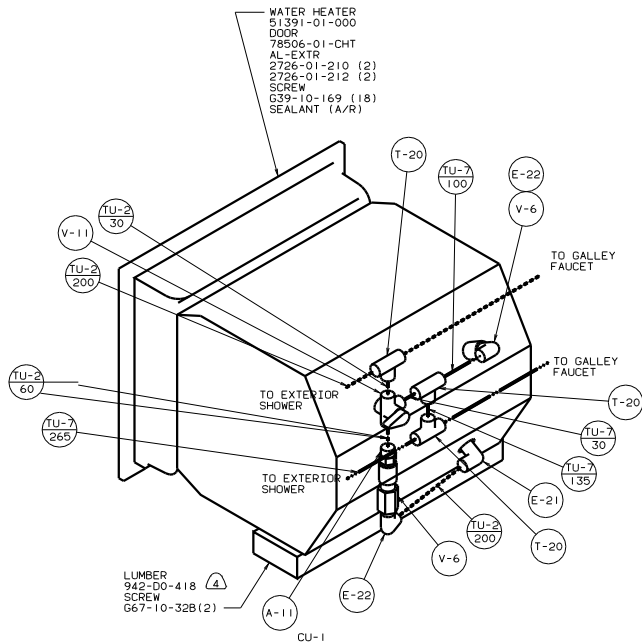
LAUNCH NO. G34WA TITLE: WATER SYSTEM INSTL
 REV # SCALE: NONE 30:100 SCALE: NONE SHEET 1 OF 4
 ALL DIMENSIONS ARE IN MILLIMETERS REF: 118072 C I



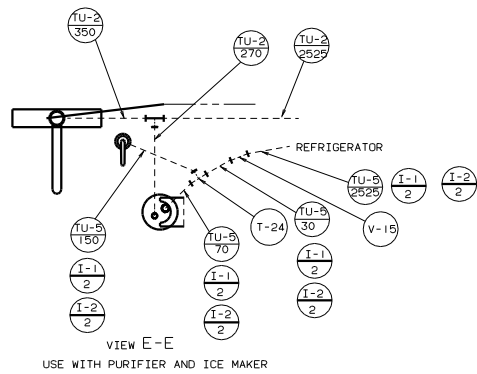
TITLE		WATER SYSTEM INSTL	
NO	SCALE	REV	DATE
1		1	
SHEET 2 of 4		123233	



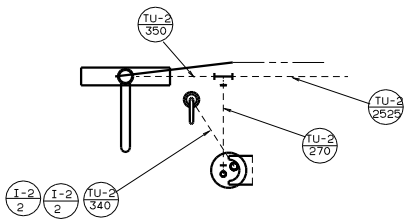
VIEW D-D



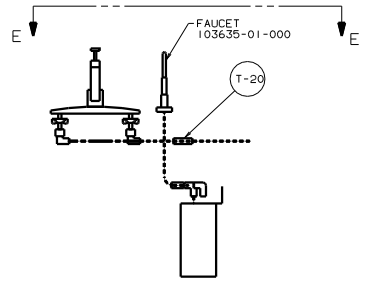
VIEW F-F



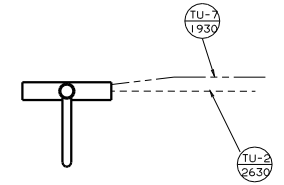
VIEW E-E
USE WITH PURIFIER AND ICE MAKER



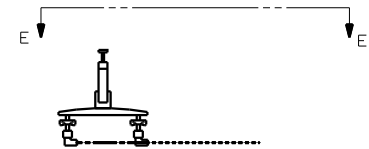
VIEW E-E
USE WITH PURIFIER



VIEW A-A



VIEW A-A



VIEW A-A
USE WITHOUT PURIFIER