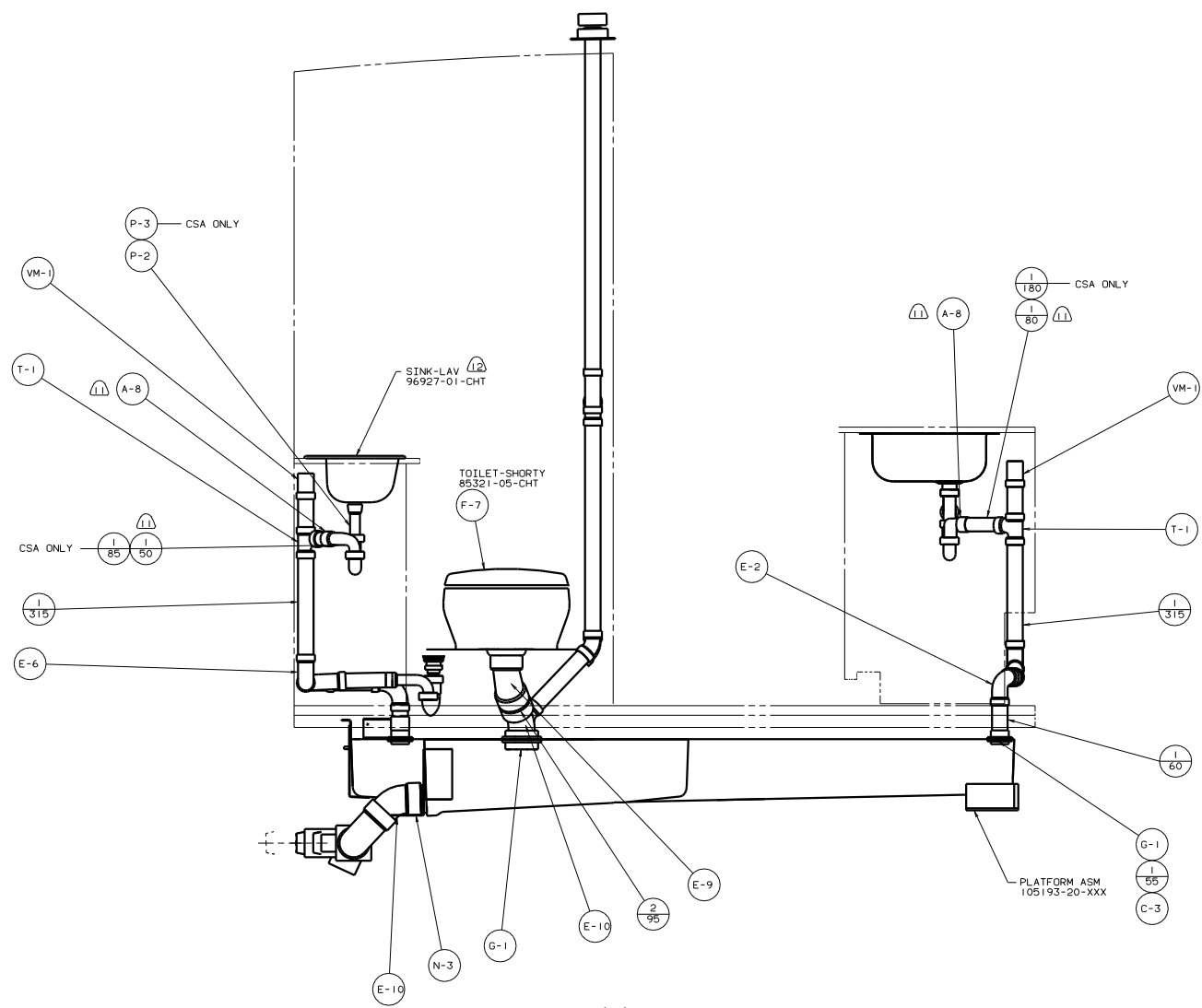


9. VENT PIPE MUST PROJECT 51 MM MIN AND 63.5 MM MAX ABOVE ROOF FOR PROPER FIT AND FUNCTION.
8. SEE DWG 61607-01-000 FOR INSTL OF GROMMETS.
7. FOR CAN UNITS EACH HOLDING TANK SHALL HAVE A CSA APPROVAL STAMPED NEAR THE IAPMO APPROVAL.
6. SEAL AROUND SHOWER WITH SILICONE.
5. EXPOSED PIPE ABOVE ROOF TO BE PAINTED 37163-01-000.
4. ALL EXTERIOR OPENINGS AROUND PIPE TO BE SEALED WITH 110744-01-000.
3. ALL PIPE AND FITTINGS TO BE ASSEMBLED WITH SOLVENT 4020-01-000.
2. SLOPE OF TRAP ARM MUST BE 6 PER 305.
1. SLOPE OF HORIZONTAL PIPING TO BE 6 PER 305 MIN.

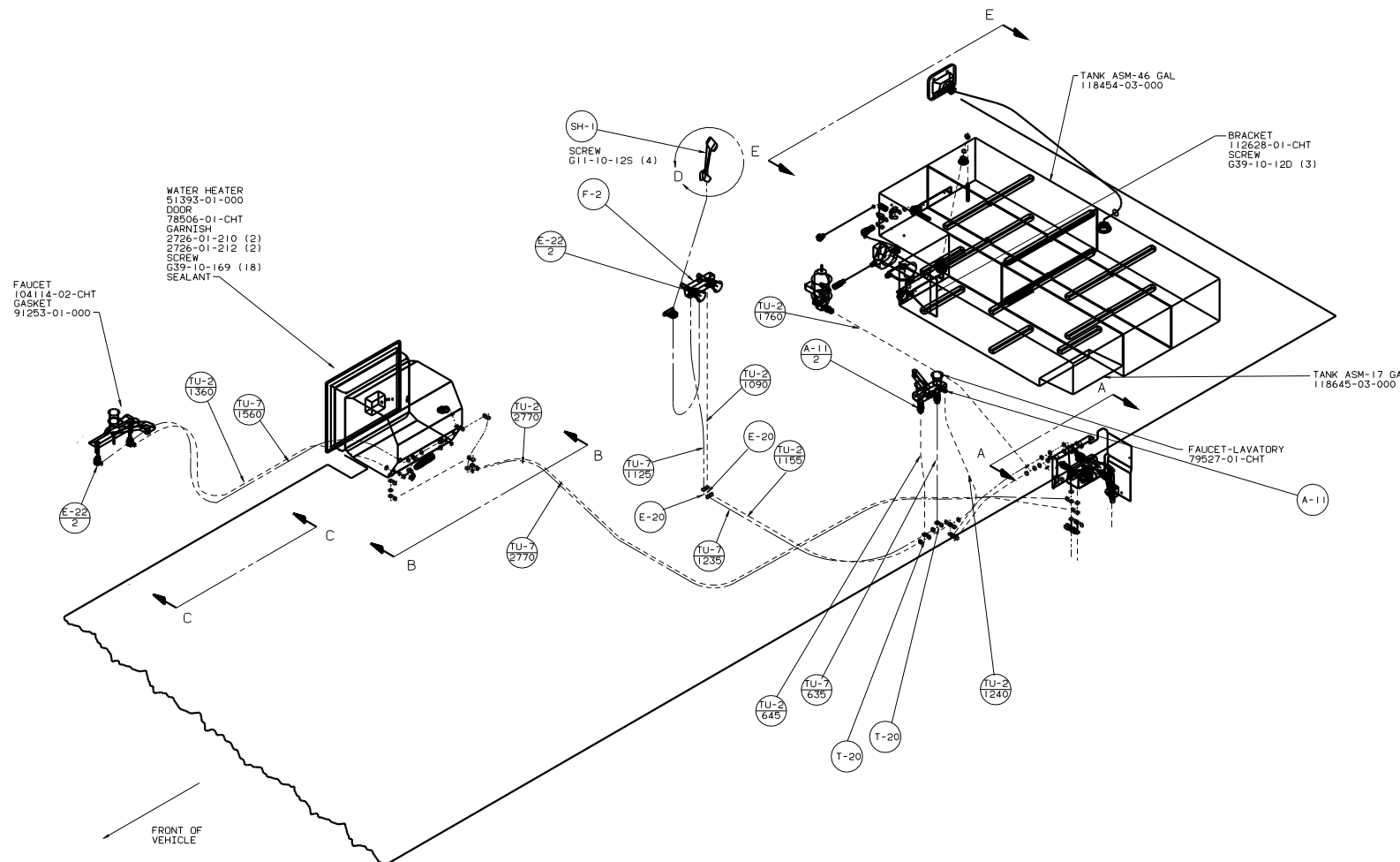
12. NOT USED WITH OPTIONAL SAFAS COUNTERTOP.
11. NOT USED ON CANADIAN UNITS.
10. SECURE VENT TUBES TO FLOOR WITH BRACKET 95061-01-000 (2), CLAMP 62401-02-000, PLATE COVER 94346-03-000 (2), SCREW G67-10-12B (2) AND STAPLE 5403-03-000.

X-X FOR DRAINAGE CALLOUTS SEE DWG NO. 116229-01-000

WINNEBAGO		97 G34R0/G3400
DATE	UNDESIGNED TOLERANCES ARE:	MATERIAL
DATE	WHOLE DIM (1:1)	F.F.
DATE	ONE-PLACE (1:1)	F.F.
DATE	TWO-PLACE (1:1)	F.F.
DATE	THREE-PLACE (1:1)	F.F.
DATE	FOUR-PLACE (1:1)	F.F.
DATE	FIVE-PLACE (1:1)	F.F.
DATE	SIX-PLACE (1:1)	F.F.
DATE	SEVEN-PLACE (1:1)	F.F.
DATE	EIGHT-PLACE (1:1)	F.F.
DATE	NINE-PLACE (1:1)	F.F.
DATE	TEN-PLACE (1:1)	F.F.
DATE	ELEVEN-PLACE (1:1)	F.F.
DATE	TWELVE-PLACE (1:1)	F.F.
DATE	THIRTY-TWO-PLACE (1:1)	F.F.
DATE	THIRTY-THREE-PLACE (1:1)	F.F.
DATE	THIRTY-FOUR-PLACE (1:1)	F.F.
DATE	THIRTY-FIVE-PLACE (1:1)	F.F.
DATE	THIRTY-SIX-PLACE (1:1)	F.F.
DATE	THIRTY-SEVEN-PLACE (1:1)	F.F.
DATE	THIRTY-EIGHT-PLACE (1:1)	F.F.
DATE	THIRTY-NINE-PLACE (1:1)	F.F.
DATE	FOURTY-PLACE (1:1)	F.F.
DATE	FOURTY-ONE-PLACE (1:1)	F.F.
DATE	FOURTY-TWO-PLACE (1:1)	F.F.
DATE	FOURTY-THREE-PLACE (1:1)	F.F.
DATE	FOURTY-FOUR-PLACE (1:1)	F.F.
DATE	FOURTY-FIVE-PLACE (1:1)	F.F.
DATE	FOURTY-SIX-PLACE (1:1)	F.F.
DATE	FOURTY-SEVEN-PLACE (1:1)	F.F.
DATE	FOURTY-EIGHT-PLACE (1:1)	F.F.
DATE	FOURTY-NINE-PLACE (1:1)	F.F.
DATE	FIFTY-PLACE (1:1)	F.F.
DATE	FIFTY-ONE-PLACE (1:1)	F.F.
DATE	FIFTY-TWO-PLACE (1:1)	F.F.
DATE	FIFTY-THREE-PLACE (1:1)	F.F.
DATE	FIFTY-FOUR-PLACE (1:1)	F.F.
DATE	FIFTY-FIVE-PLACE (1:1)	F.F.
DATE	FIFTY-SIX-PLACE (1:1)	F.F.
DATE	FIFTY-SEVEN-PLACE (1:1)	F.F.
DATE	FIFTY-EIGHT-PLACE (1:1)	F.F.
DATE	FIFTY-NINE-PLACE (1:1)	F.F.
DATE	SIXTY-PLACE (1:1)	F.F.
DATE	SIXTY-ONE-PLACE (1:1)	F.F.
DATE	SIXTY-TWO-PLACE (1:1)	F.F.
DATE	SIXTY-THREE-PLACE (1:1)	F.F.
DATE	SIXTY-FOUR-PLACE (1:1)	F.F.
DATE	SIXTY-FIVE-PLACE (1:1)	F.F.
DATE	SIXTY-SIX-PLACE (1:1)	F.F.
DATE	SIXTY-SEVEN-PLACE (1:1)	F.F.
DATE	SIXTY-EIGHT-PLACE (1:1)	F.F.
DATE	SIXTY-NINE-PLACE (1:1)	F.F.
DATE	SEVENTY-PLACE (1:1)	F.F.
DATE	SEVENTY-ONE-PLACE (1:1)	F.F.
DATE	SEVENTY-TWO-PLACE (1:1)	F.F.
DATE	SEVENTY-THREE-PLACE (1:1)	F.F.
DATE	SEVENTY-FOUR-PLACE (1:1)	F.F.
DATE	SEVENTY-FIVE-PLACE (1:1)	F.F.
DATE	SEVENTY-SIX-PLACE (1:1)	F.F.
DATE	SEVENTY-SEVEN-PLACE (1:1)	F.F.
DATE	SEVENTY-EIGHT-PLACE (1:1)	F.F.
DATE	SEVENTY-NINE-PLACE (1:1)	F.F.
DATE	EIGHTY-PLACE (1:1)	F.F.
DATE	EIGHTY-ONE-PLACE (1:1)	F.F.
DATE	EIGHTY-TWO-PLACE (1:1)	F.F.
DATE	EIGHTY-THREE-PLACE (1:1)	F.F.
DATE	EIGHTY-FOUR-PLACE (1:1)	F.F.
DATE	EIGHTY-FIVE-PLACE (1:1)	F.F.
DATE	EIGHTY-SIX-PLACE (1:1)	F.F.
DATE	EIGHTY-SEVEN-PLACE (1:1)	F.F.
DATE	EIGHTY-EIGHT-PLACE (1:1)	F.F.
DATE	EIGHTY-NINE-PLACE (1:1)	F.F.
DATE	NINETY-PLACE (1:1)	F.F.
DATE	NINETY-ONE-PLACE (1:1)	F.F.
DATE	NINETY-TWO-PLACE (1:1)	F.F.
DATE	NINETY-THREE-PLACE (1:1)	F.F.
DATE	NINETY-FOUR-PLACE (1:1)	F.F.
DATE	NINETY-FIVE-PLACE (1:1)	F.F.
DATE	NINETY-SIX-PLACE (1:1)	F.F.
DATE	NINETY-SEVEN-PLACE (1:1)	F.F.
DATE	NINETY-EIGHT-PLACE (1:1)	F.F.
DATE	NINETY-NINE-PLACE (1:1)	F.F.
DATE	HUNDRED-PLACE (1:1)	F.F.



VIEW A-A



- NOTES:
1. PLASTIC FITTINGS TO BE SEALED WITH SEALANT 84456-01-000.
 2. TUBING TO BE INSTALLED WITH SUFFICIENT SLOPE TO PROVIDE DRAINAGE TO NEAREST VALVE.
 3. ALL TUBING TO BE SECURED AT 1200 INTERVALS MAX WITH CLAMP 10495-01-000 OR CLIP 91951-01-000 AND SCREW G67-10-12B.

Copyright 2005 Winnebago Industries, Inc.

LEGEND	
HOT	-----
COLD	-----

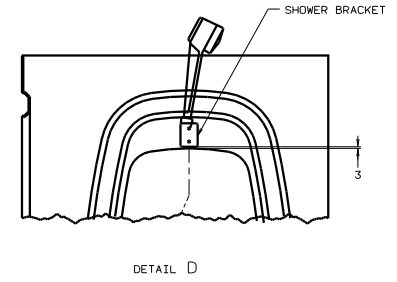
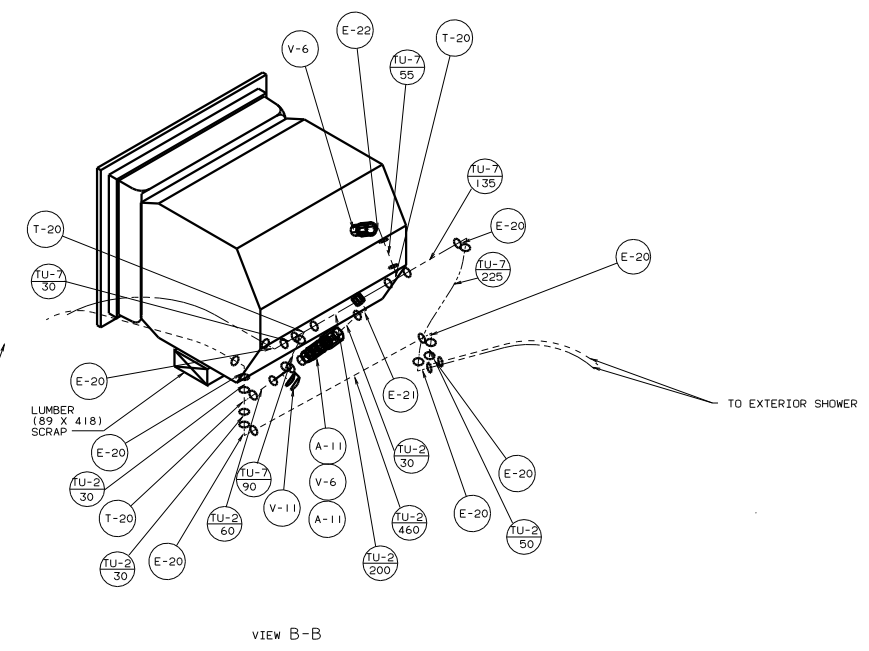
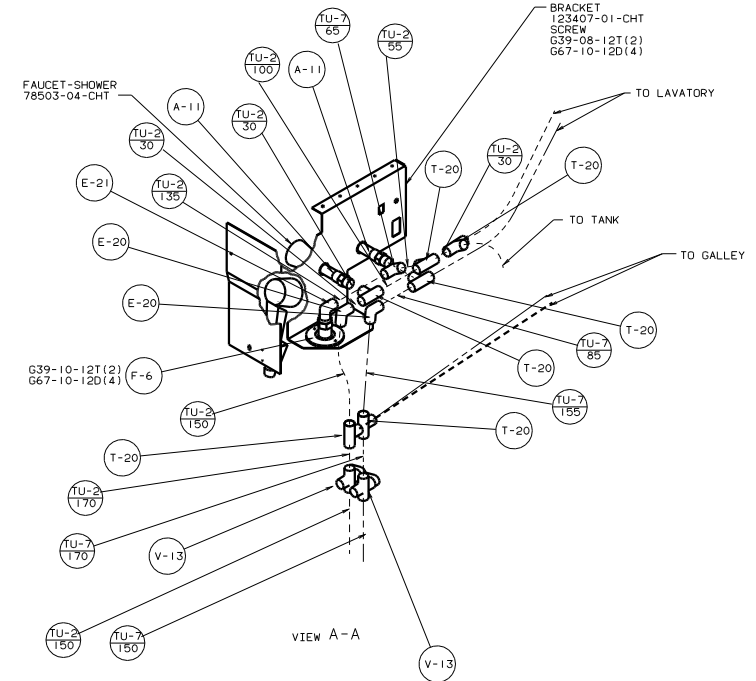
(X-X) FOR WATER CALLOUTS SEE DWG NO. 116230-01-000

WINNEBAGO 97 G34RO

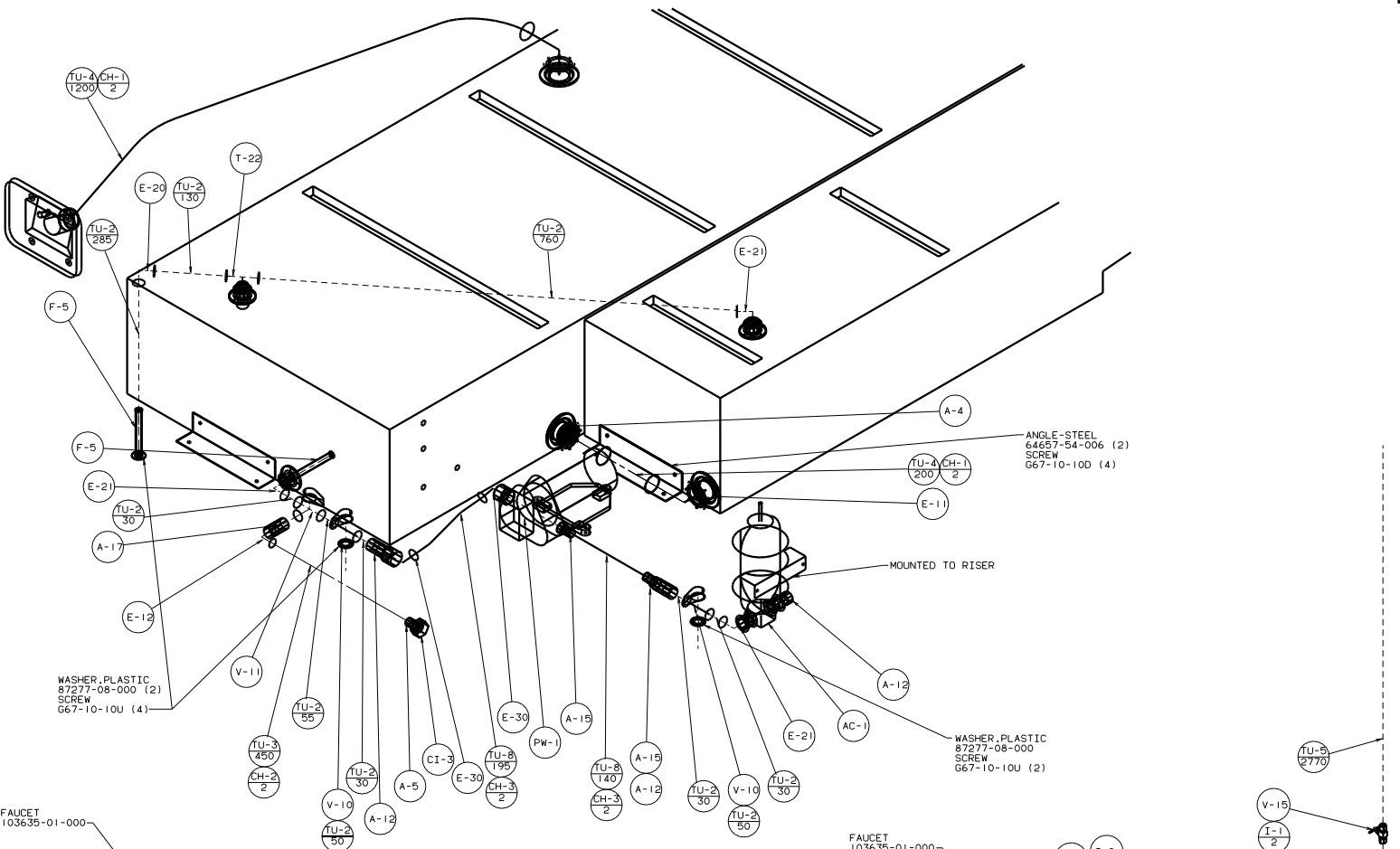
OP/IN	DATE	UNSPECIFIED TOLERANCES ARE:	MATERIAL
CHP	DATE	WHOLE OR 1/16"	
PIE	DATE	ONE-PLACE (9.25)	
D/E	DATE	TWO-PLACE (9.25)	
D/E	DATE	THREE-PLACE	
CDR	DATE	THREE-PLACE	
CDR	DATE	THREE-PLACE	

REV: G34RO TITLE: WATER SYSTEM INSTL
 SHEET 1 OF 3 REF: 118960 G I

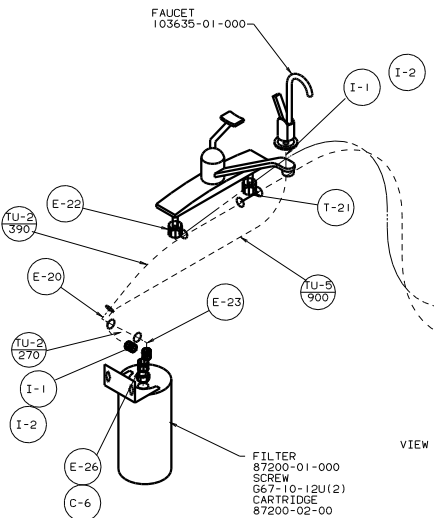
H
G
F
E
D
C
B
A



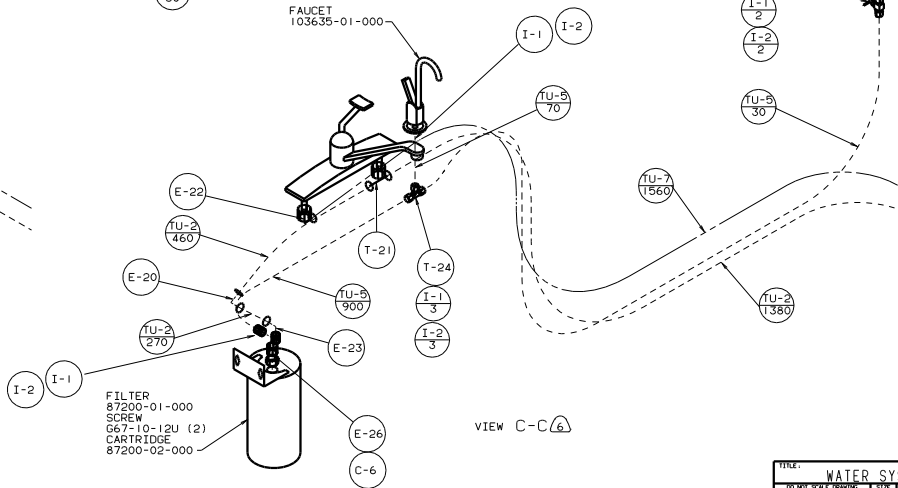
97 G34RQ	
TITLE: WATER SYSTEM INSTL	
SCALE: AS SHOWN	DATE: 1/16
SHEET 2 OF 3	DWG NO 122947



VIEW E-E



VIEW C-C (A)



VIEW C-C (B)