

WATER HEATER
 51393-01-000
 DOOR
 78506-01-CHT
 GARNISH
 2726-01-210 (2)
 2726-01-212 (2)
 SCREW
 G39-10-169 (18)
 SEALANT

FAUCET
 104114-02-CHT
 GASKET
 91253-01-000

TANK ASM-46 GAL
 118454-03-000

BRACKET
 112628-01-CHT
 SCREW
 G39-10-120 (3)

TANK ASM-17 GAL
 118645-03-000

FAUCET-LAVATORY
 79527-01-CHT

FRONT OF VEHICLE

- NOTES:
- 1. PLASTIC FITTINGS TO BE SEALED WITH SEALANT 84456-01-000.
 - 2. TUBING TO BE INSTALLED WITH SUFFICIENT SLOPE TO PROVIDE DRAINAGE TO NEAREST VALVE.
 - 3. ALL TUBING TO BE SECURED AT 1200 INTERVALS MAX WITH CLAMP 10495-01-000 OR CLIP 91951-01-000 AND SCREW G67-10-12B.
- LEGEND:
- ⑦ CLAMP MUST BE ON BARBS.
 - ⑥ USE WITH ICE MAKER.
 - ⑤ USE WITH WATER PURIFIER.
 - ④ LOCATE LUMBER TO SUPPORT WATER HEATER.

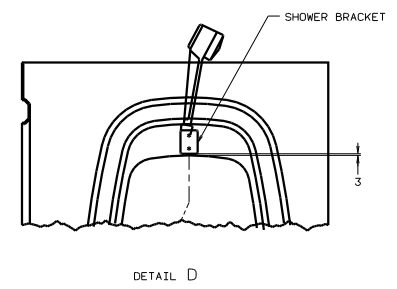
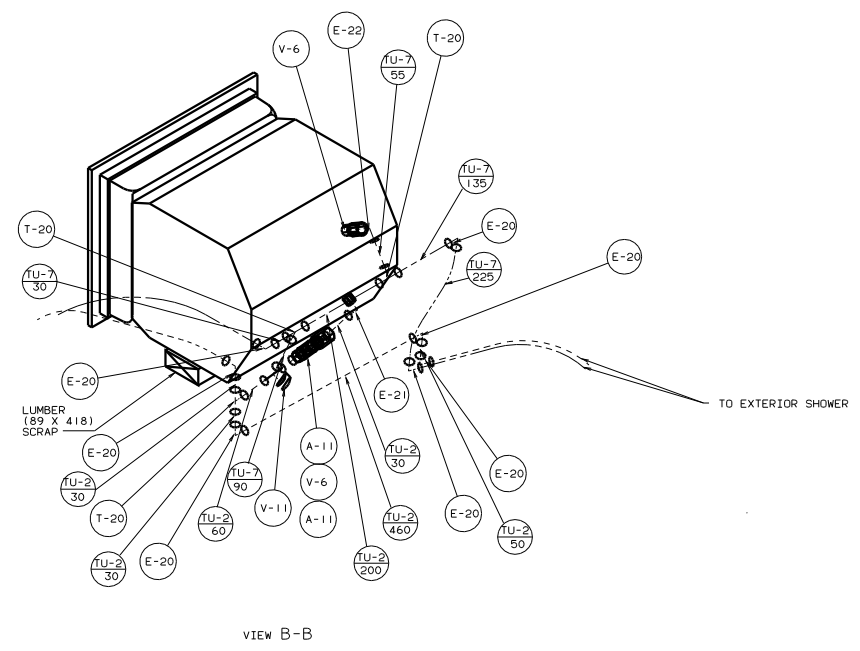
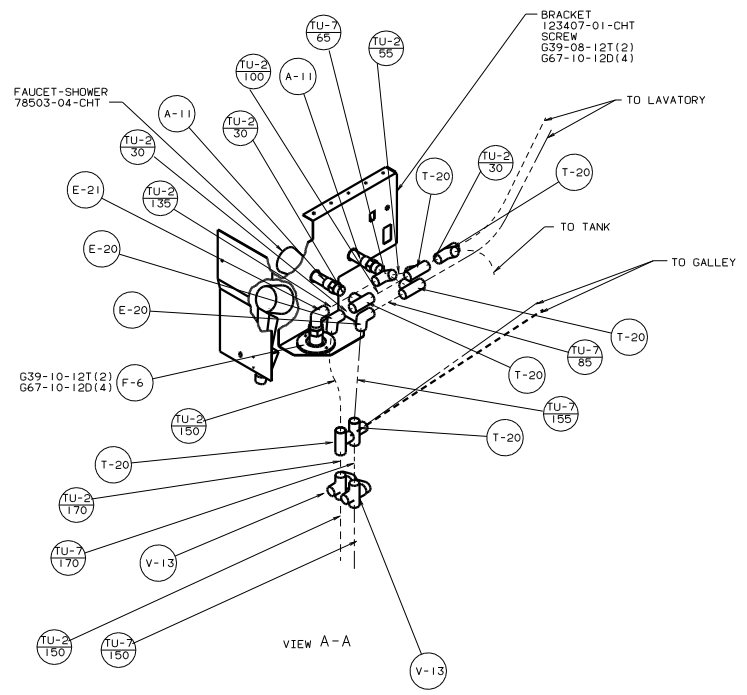
LEGEND	
HOT	*****
COLD	*****

X-X FOR WATER CALLOUTS SEE DWG NO. 116230-01-000

WINNEBAGO 97 G34RO

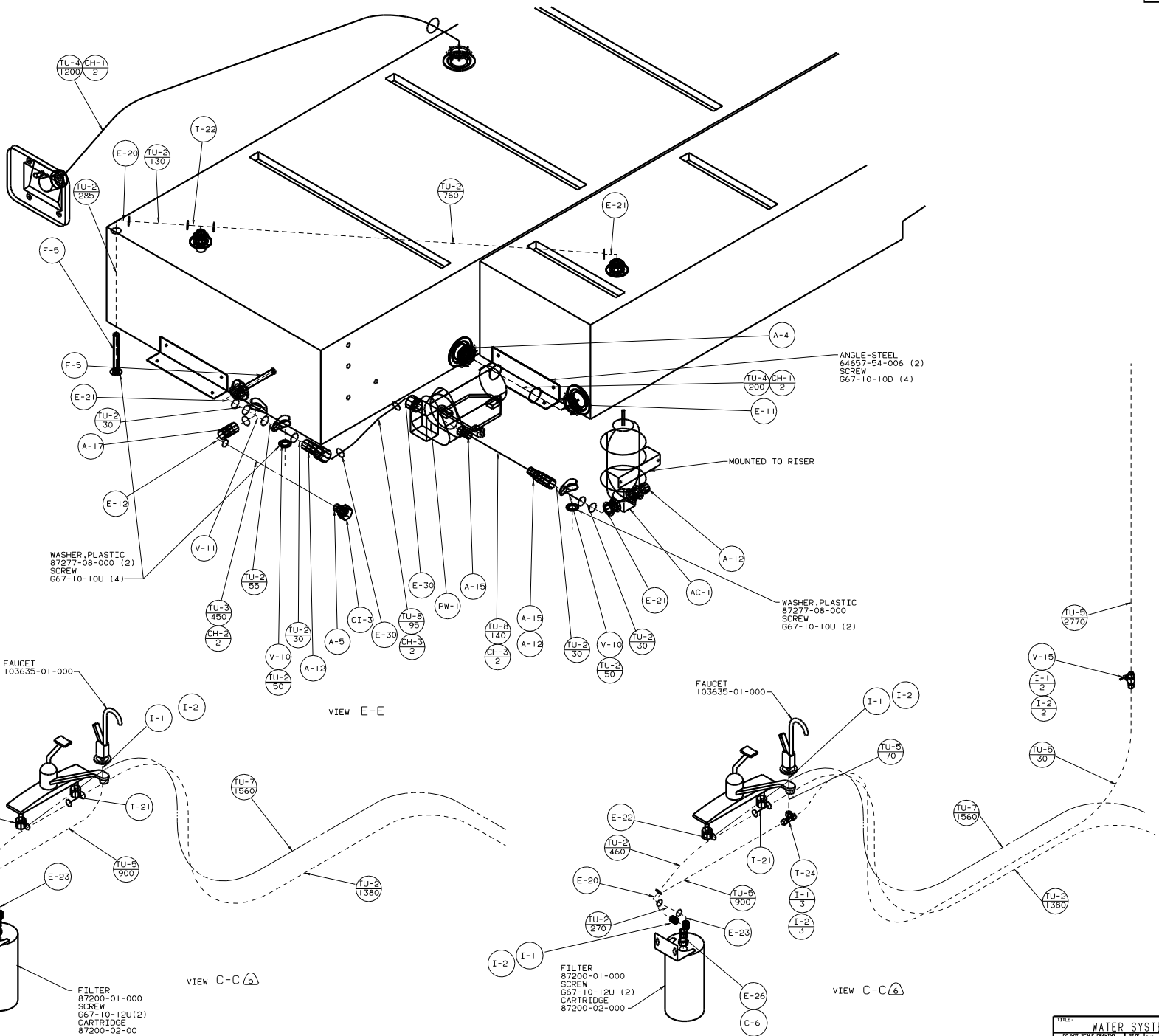
DATE	DATE	UNDESIGNED TOLERANCES ARE:	MATERIAL
DATE	DATE	WHOLE DIM (IN)	
DATE	DATE	ONE-PLACE (IN.XX)	
DATE	DATE	TWO-PLACE (IN.XXX)	
DATE	DATE	THREE-PLACE (IN.XXXX)	
DATE	DATE	FOUR-PLACE (IN.XXXX)	
DATE	DATE	INCHES	
DATE	DATE	MILLIMETERS	
DATE	DATE	INCHES	
DATE	DATE	MILLIMETERS	
DATE	DATE	INCHES	
DATE	DATE	MILLIMETERS	

LAYOUT NO. G34RO TITLE WATER SYSTEM INSTL
 DIA # SCALE: NONE TO THE SCALE: NONE SHEET 1 OF 3 REF: 118960 G 1
 ALL DIMENSIONS ARE IN MILLIMETERS



97 G34RQ

TITLE: WATER SYSTEM INSTL	
DATE: 1/16	REV: 1
SHEET: 2 OF 3	DWG NO: 122947



WASHER, PLASTIC
87277-08-000 (2)
SCREW
G67-10-10U (4)

ANGLE-STEEL
64657-54-006 (2)
SCREW
G67-10-10D (4)

WASHER, PLASTIC
87277-08-000
SCREW
G67-10-10U (2)

FAUCET
103635-01-000

FAUCET
103635-01-000

FILTER
87200-01-000
SCREW
G67-10-12U(2)
CARTRIDGE
87200-02-000

FILTER
87200-01-000
SCREW
G67-10-12U (2)
CARTRIDGE
87200-02-000

VIEW E-E

VIEW C-C (A)

VIEW C-C (B)