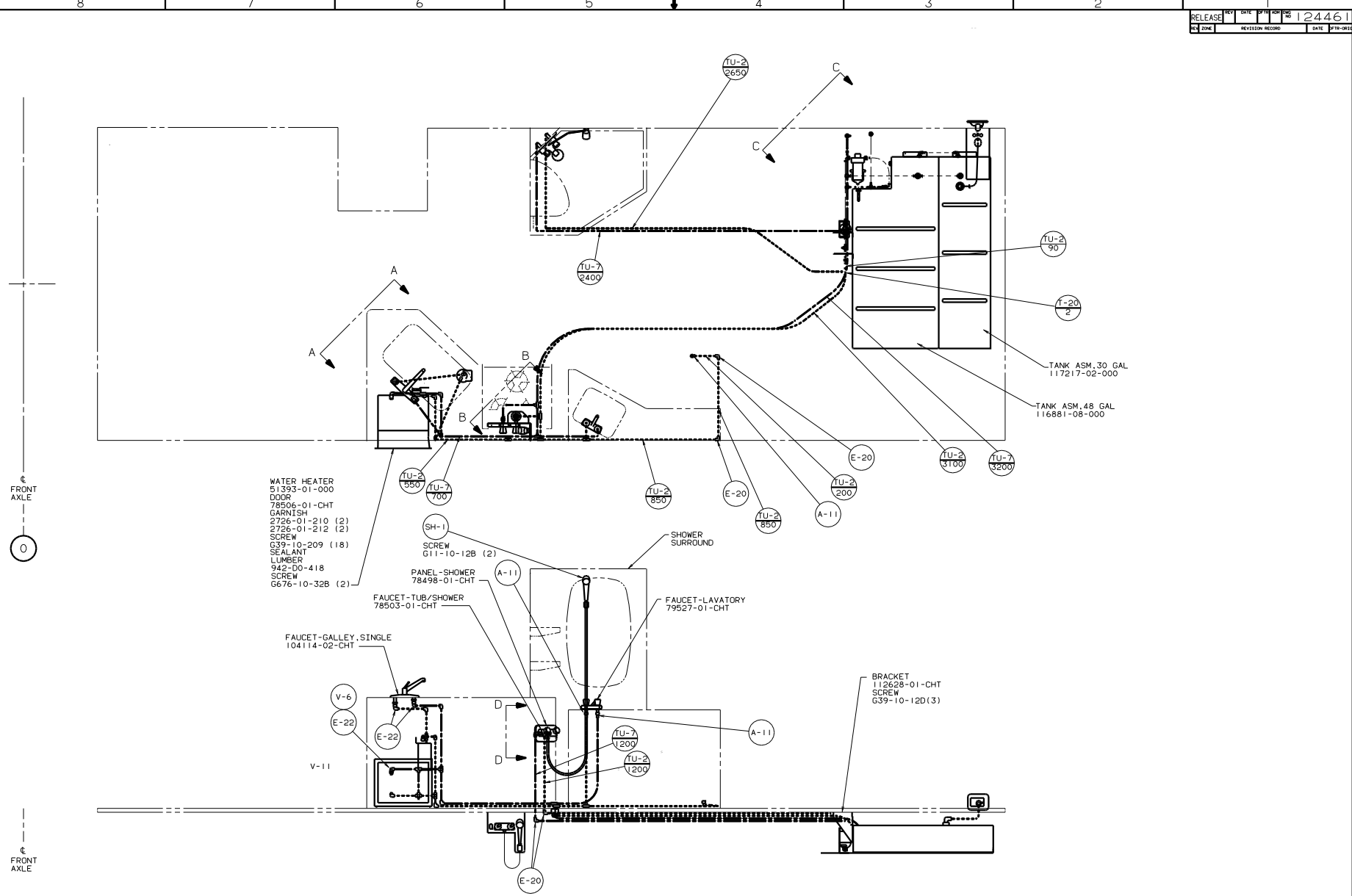


- 1. SLOPE OF HORIZONTAL PIPING TO BE 6 PER 305 MIN.
- 2. SLOPE OF TRAP ARM MUST BE 6 PER 305.
- 3. ALL PIPE AND FITTINGS TO BE ASSEMBLED WITH SOLVENT 4020-01-000.
- 4. ALL EXTERIOR OPENINGS AROUND PIPE TO BE SEALED WITH 69637-01-000.
- 5. EXPOSED PIPE ABOVE ROOF TO BE PAINTED 37163-01-000.
- 6. FOR CAN UNITS, EACH HOLDING TANK SHALL HAVE A CSA APPROVAL STAMPED NEAR THE TAPMO APPROVAL.
- 7. SEE DWG 61607-01-000 FOR INSTL OF GROMMET.
- 8. VENT PIPE MUST PROJECT 51 MM MIN AND 63.5 MM MAX ABOVE ROOF FOR PROPER FIT AND FUNCTION.
- 9. SECURE VENT TUBES TO FLOOR WITH BRACKET.
- 10. TRIM P-TRAP EXTENSION TO FIT.
- 11. NOT USED ON CANADIAN UNIT.

(X-X) FOR DRAINAGE CALLOUTS SEE DWG NO. 116229-01-000

LAYOUT GW3005		TITLE DRAINAGE SYSTEM INSTL	
DATE	DATE	UNDESIGNED TOLERANCES ARE:	MATERIAL
DATE	DATE	WHOLE DIM (1:1)	F
DATE	DATE	ONE-PLACE (1:1)	F
DATE	DATE	TWO-PLACE (1:20)	F
DATE	DATE	THREE-PLACE (1:50)	F
DATE	DATE	FOUR-PLACE (1:100)	F
DATE	DATE	FIVE-PLACE (1:200)	F
DATE	DATE	SIX-PLACE (1:500)	F
DATE	DATE	SEVEN-PLACE (1:1000)	F
DATE	DATE	EIGHT-PLACE (1:2000)	F
DATE	DATE	NINE-PLACE (1:5000)	F
DATE	DATE	TEN-PLACE (1:10000)	F
DATE	DATE	UNDESIGNED TOLERANCES ARE:	MATERIAL
DATE	DATE	WHOLE DIM (1:1)	F
DATE	DATE	ONE-PLACE (1:1)	F
DATE	DATE	TWO-PLACE (1:20)	F
DATE	DATE	THREE-PLACE (1:50)	F
DATE	DATE	FOUR-PLACE (1:100)	F
DATE	DATE	FIVE-PLACE (1:200)	F
DATE	DATE	SIX-PLACE (1:500)	F
DATE	DATE	SEVEN-PLACE (1:1000)	F
DATE	DATE	EIGHT-PLACE (1:2000)	F
DATE	DATE	NINE-PLACE (1:5000)	F
DATE	DATE	TEN-PLACE (1:10000)	F
DATE	DATE	UNDESIGNED TOLERANCES ARE:	MATERIAL
DATE	DATE	WHOLE DIM (1:1)	F
DATE	DATE	ONE-PLACE (1:1)	F
DATE	DATE	TWO-PLACE (1:20)	F
DATE	DATE	THREE-PLACE (1:50)	F
DATE	DATE	FOUR-PLACE (1:100)	F
DATE	DATE	FIVE-PLACE (1:200)	F
DATE	DATE	SIX-PLACE (1:500)	F
DATE	DATE	SEVEN-PLACE (1:1000)	F
DATE	DATE	EIGHT-PLACE (1:2000)	F
DATE	DATE	NINE-PLACE (1:5000)	F
DATE	DATE	TEN-PLACE (1:10000)	F



4. CLAMP MUST BE ON BARBS.
3. ALL TUBING TO BE SECURED AT 1200 INTERVALS MAXIMUM WITH CLAMP 10495-01-000 OR CLIP 91951-01-000 AND SCREW G67-10-12B.
2. TUBING TO BE INSTALLED WITH SUFFICIENT SLOPE TO PROVIDE DRAINAGE TO NEAREST VALVE.
1. PLASTIC FITTINGS TO BE SEALED WITH SEALANT 84456-01-000.

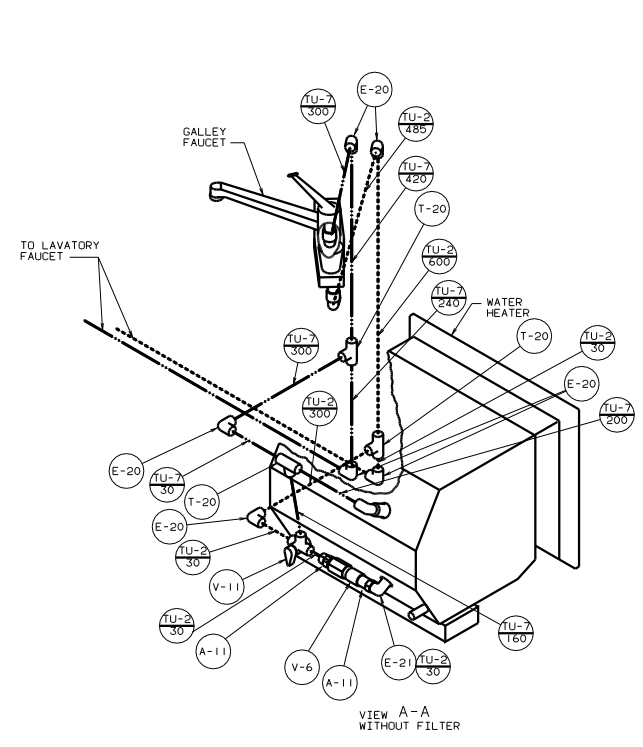
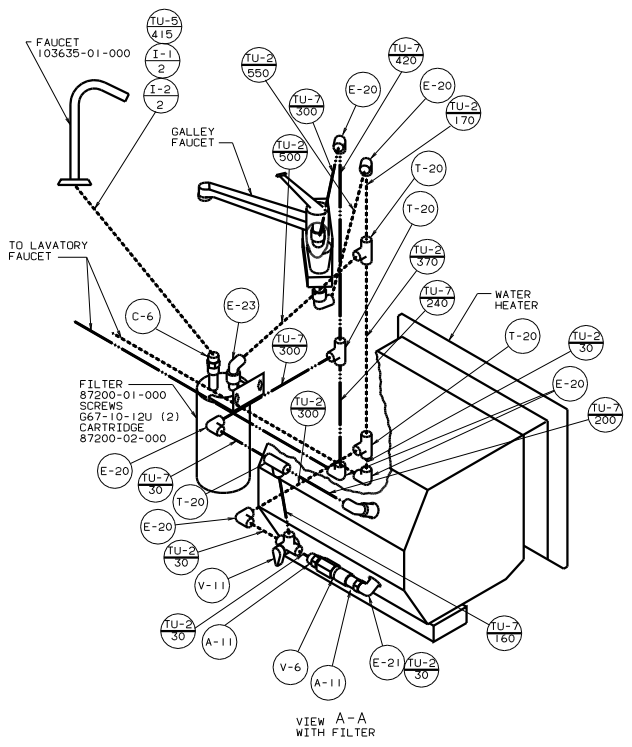
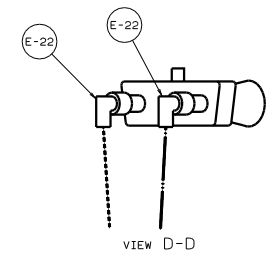
FOR WATER CALLOUTS SEE DWG NO. 116230-01-000

HOT	—————
COLD	*****

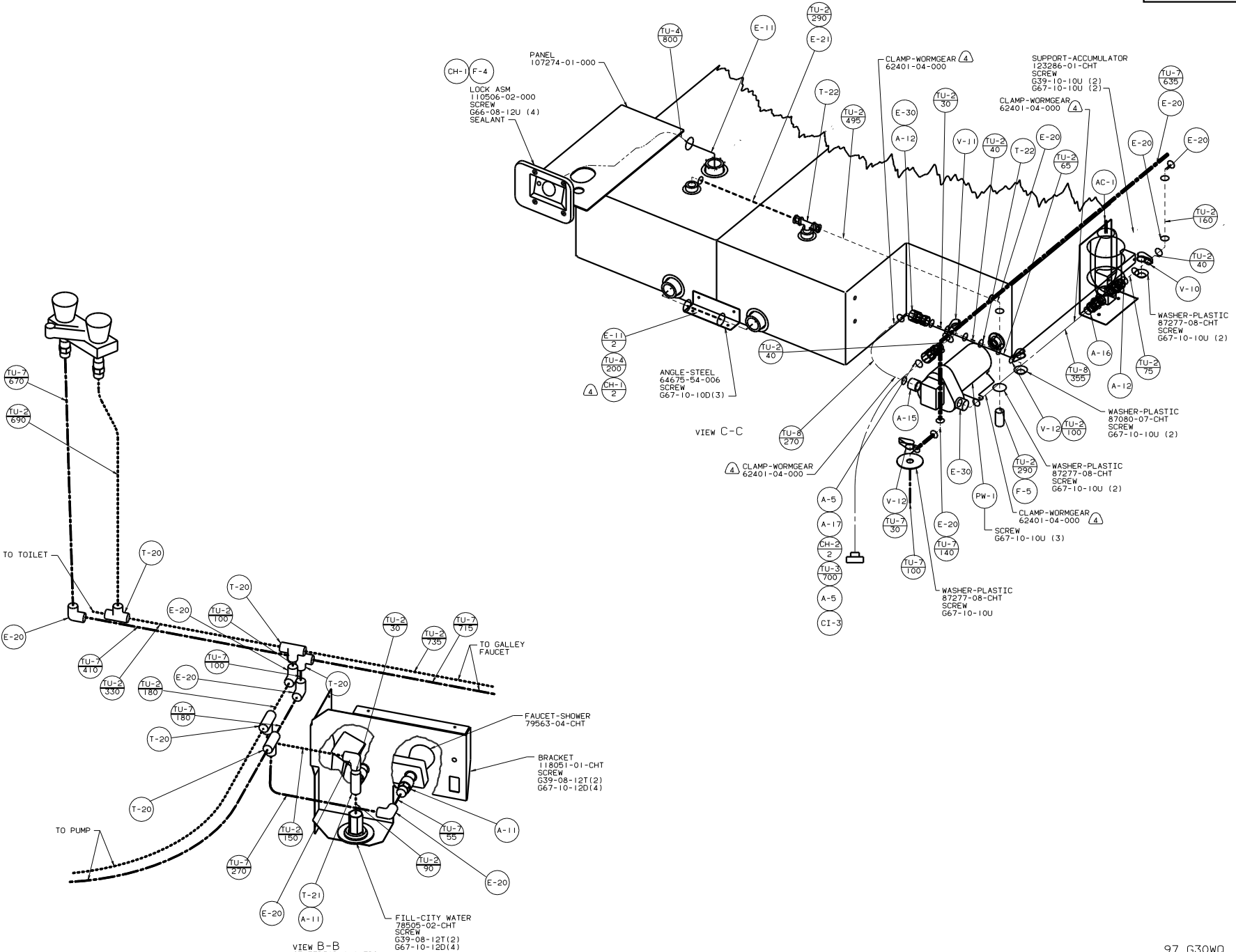
OF IN	DATE	UNDESIGNED TOLERANCES ARE:	MATERIAL
CHP	DATE	WHOLE DIM (1)	
DYE	DATE	ONE-PLACE (1/32)	
D/E	DATE	HQ-PLACE (1/8)	
DATE	DATE	MISC.	
DATE	DATE	INSTR. W/ANGLE PROJECTION	

WINNEBAGO 97 G30WD

DRAWN BY: G30WD TITLE: WATER SYSTEM INSTL
REV A SCALE: NONE 30 IN SCALE DRAWING
SHEET 1 OF 3



TITLE: WATER SYSTEM INSTL		97 G30WD	
NO. OF SHEETS	REV.	DATE	BY
SHEET 2 OF 3	1		
124461			



97 G30WQ

TITLE		WATER SYSTEM INSTL	
NO	SCALE	REV	DATE
3	3	1	E