

- (14) NOT USED ON CANADIAN UNITS.
- (13) USE WITHOUT SLIDEOUT.
- (12) USE WITH SLIDEOUT.
- (11) TRIM P-TRAP EXTENSION TO FIT.

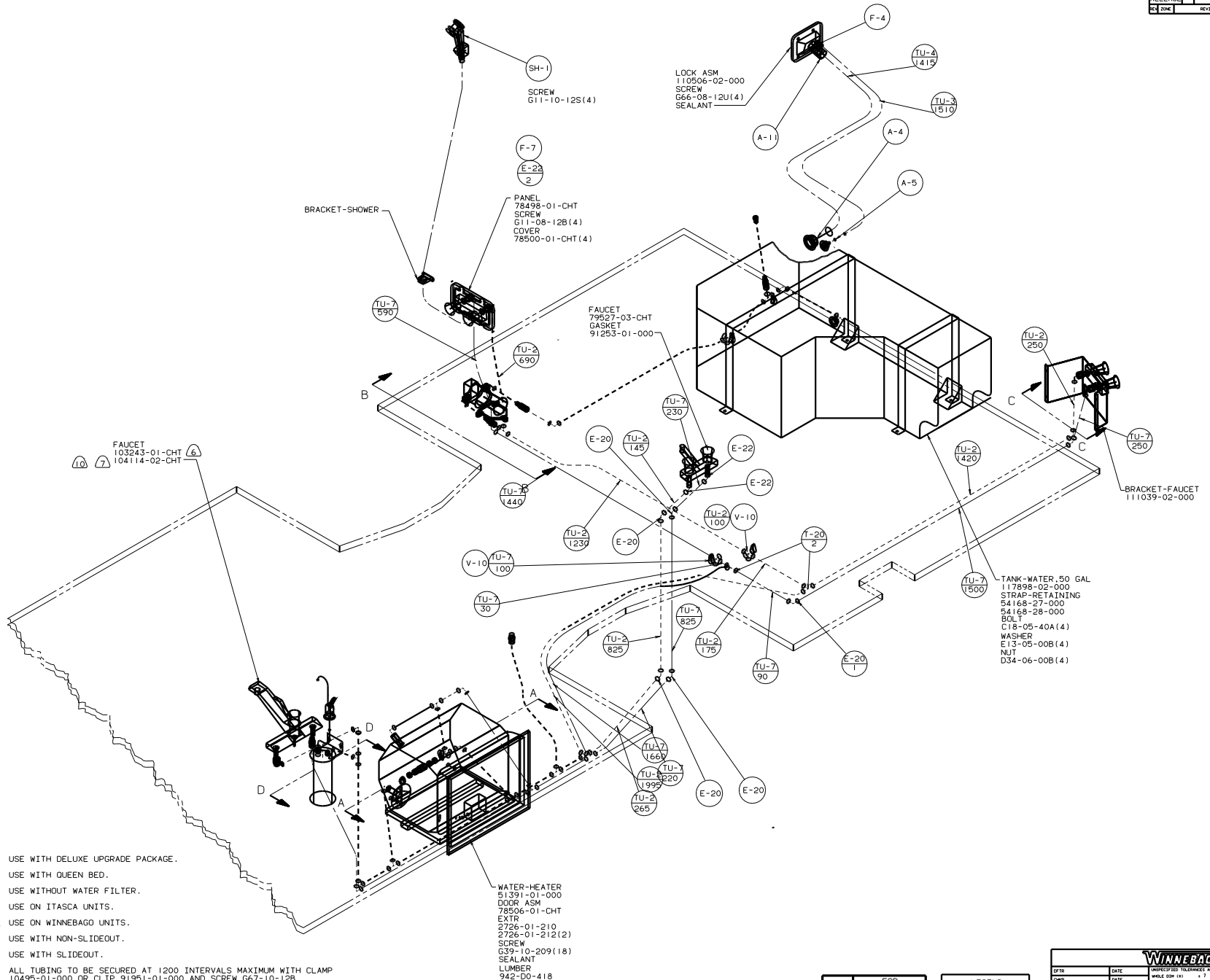
10 SECURE VENT TUBES TO FLOOR WITH BRACKET 95061-01-000(2), CLAMP 62401-02-000, PLATE COVER 94346-03-000, SCREW G67-10-128(2), AND STAPLE 5403-03-000.

(9) VENT PIPE MUST PROJECT 51 MM MIN AND 63.5 MM MAX ABOVE ROOF FOR PROPER FIT AND FUNCTION.

- 8. SEE DWG 61607-01-000 FOR INSTL OF GROMMETS.
- 7. SEAL ALL AROUND SHOWER WITH SILICONE.
- 6. FOR CAN UNITS EACH HOLDING TANK SHALL HAVE A CSA APPROVAL STAMPED NEAR THE IAMPO APPROVAL.
- 5. EXPOSED PIPE ABOVE ROOF TO BE PAINTED 37163-01-000.
- 4. ALL EXTERIOR OPENINGS AROUND PIPE TO BE SEALED WITH 110744-01-000.
- 3. ALL PIPE AND FITTINGS TO BE ASSEMBLED WITH SOLVENT 4020-01-000.
- 2. SLOPE OF TRAP ARM MUST BE 6 PER 305.
- 1. SLOPE OF HORIZONTAL PIPING TO BE 6 PER 305 MIN.



WINNEBAGO		97 F33R0
OF IN	DATE	UNSPECIFIED TOLERANCES ARE:
CHP	DATE	WHOLE DIM (1) ± .1
PIE	DATE	ONE-PLACE (16.X1) .1
PIE	DATE	TWO-PLACE (16.XXX) .01
PIE	DATE	MILS
CHP	DATE	THIRD WHOLE PROJECTION
LAUNCH F32R0	TITLE	DRAINAGE SYSTEM INSTL
REV #	SCALE	NO. OF SHEETS
ALL DIMENSIONS ARE IN MILLIMETERS	SHEET 1 OF 1	DWG NO. 121525



- ⑩ USE WITH DELUXE UPGRADE PACKAGE.
 - ⑨ USE WITH QUEEN BED.
 - ⑧ USE WITHOUT WATER FILTER.
 - ⑦ USE ON ITASCA UNITS.
 - ⑥ USE ON WINNEBAGO UNITS.
 - ⑤ USE WITH NON-SLIDEOUT.
 - ④ USE WITH SLIDEOUT.
3. ALL TUBING TO BE SECURED AT 1200 INTERVALS MAXIMUM WITH CLAMP 10495-01-000 OR CLIP 91951-01-000 AND SCREW G67-10-12B.
 2. TUBING TO BE SECURED WITH SUFFICIENT SLOPE TO PROVIDE DRAINAGE TO NEAREST VALVE.
 1. PLASTIC FITTINGS TO BE SEALED WITH SEALANT 84456-01-000.

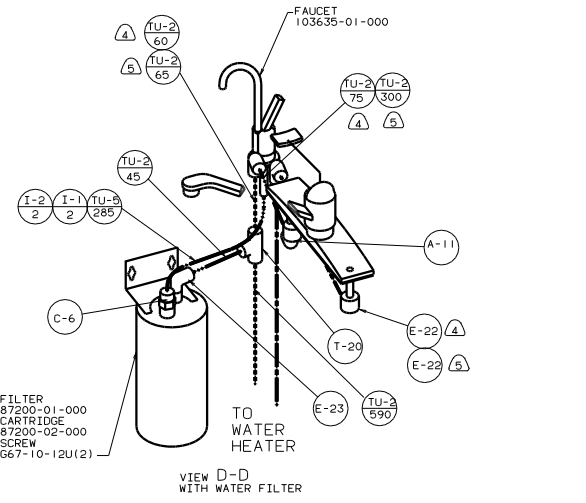
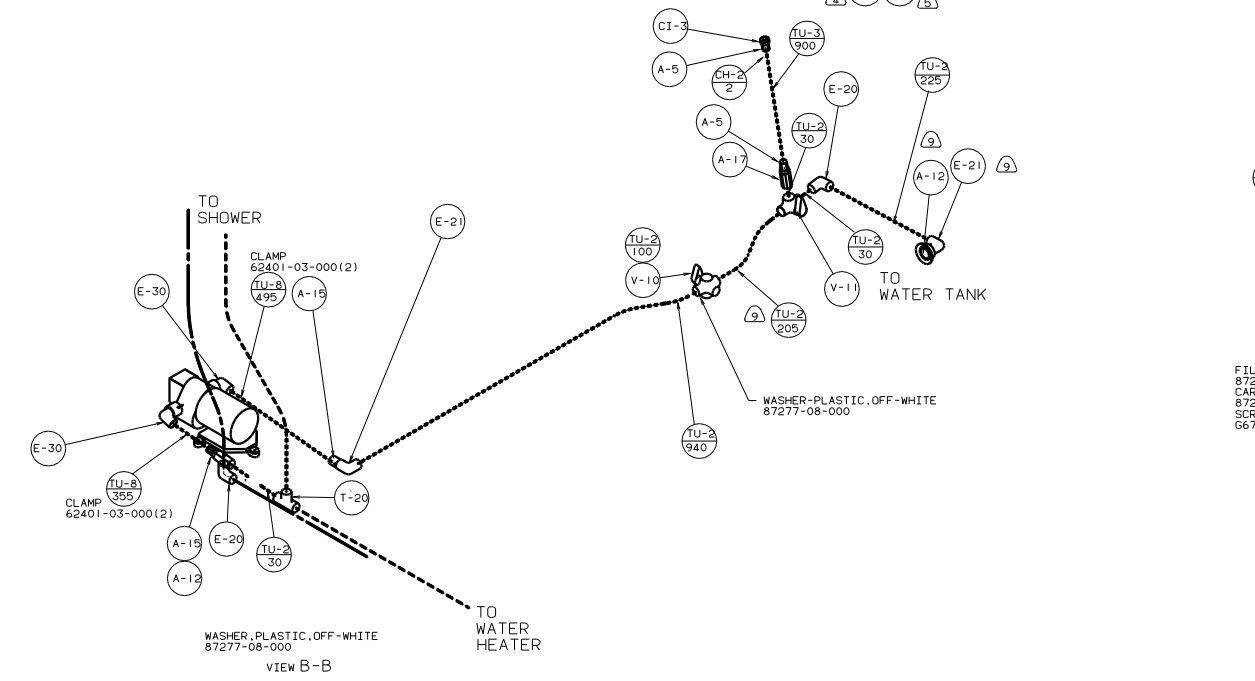
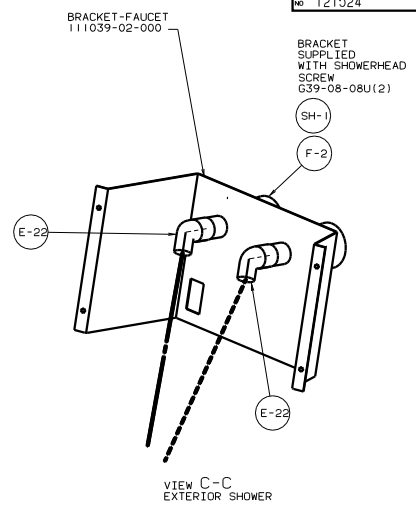
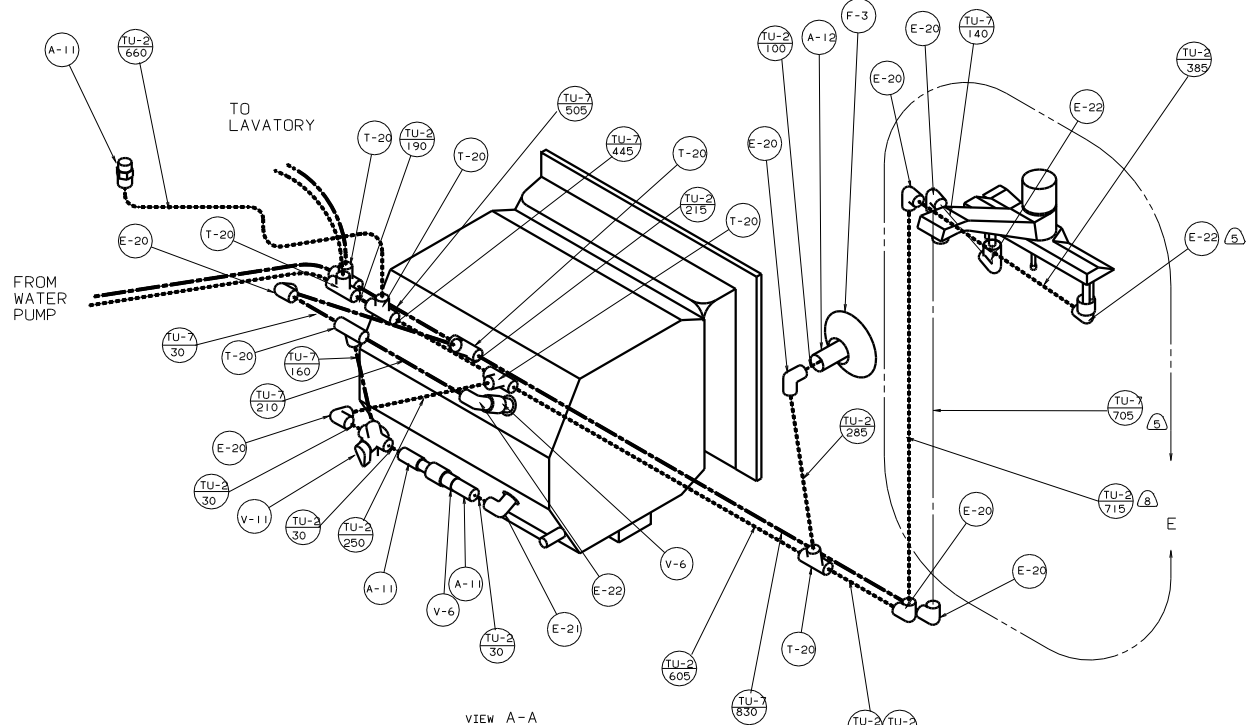
WATER-HEATER
 51391-01-000
 DOOR ASM
 78506-01-CHT
 EXTR
 2726-01-210
 2726-01-212(2)
 SCREW
 G39-10-209(18)
 SEALANT
 LUMBER
 942-DO-418

TANK-WATER, 50 GAL
 117898-02-000
 STRAP-RETAINING
 54168-27-000
 54168-28-000
 BOLT
 C18-05-40A(4)
 WASHER
 E13-05-00B(4)
 NUT
 D34-06-00B(4)

FOR WATER CALLOUTS SEE DWG NO. 116230-01-000

LEGEND	
HOT	-----
COLD	-----

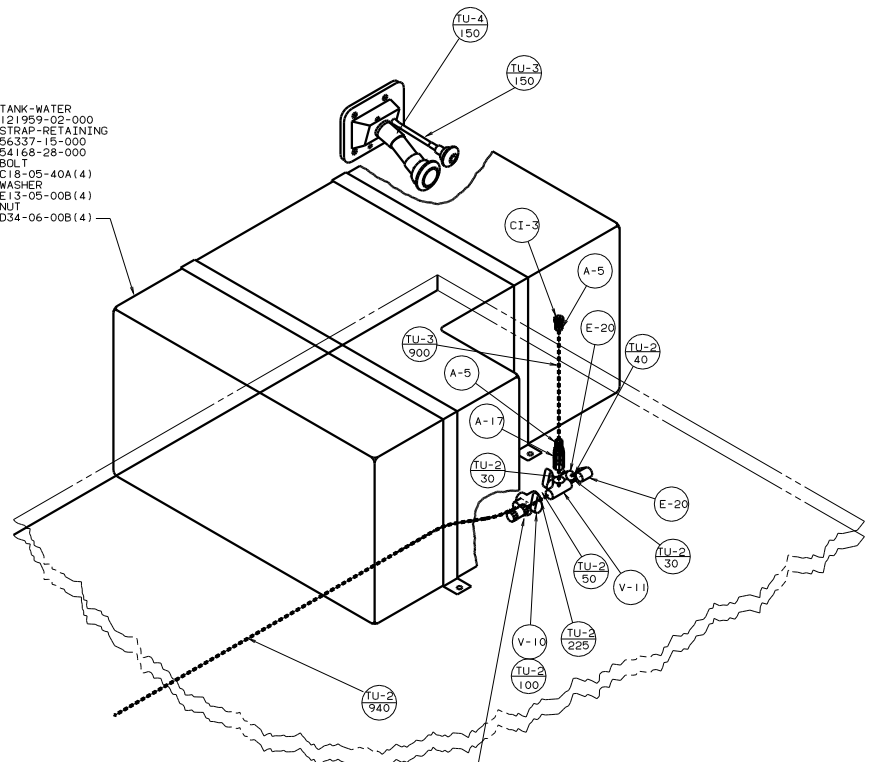
		97 F33R0
DPTD	DATE	UNDESIGNED TOLERANCES ARE:
COND	DATE	WHOLE SIZE .015
F.E	DATE	ONE-PLACE .010
D.E	DATE	TWO-PLACE .005
DATE	DATE	THIRD PLACE .002
DATE	DATE	FOURTH PLACE .001
DATE	DATE	FIFTH PLACE .0005
DATE	DATE	SIXTH PLACE .0002
DATE	DATE	SEVENTH PLACE .0001
DATE	DATE	EIGHTH PLACE .00005
DATE	DATE	NINTH PLACE .00002
DATE	DATE	TENTH PLACE .00001
DATE	DATE	PROJECTION
LAYER	F33R0	TITLE
DATE	SCALE: NONE	WATER SYSTEM INSTL
ALL DIMENSIONS ARE IN MILLIMETERS	SHEET 1 OF 3	121524



97 F33R0

TITLE		WATER SYSTEM INSTL	
NO	SCALE	REV	DATE
2		1	
SHEET 2 OF 3		121524	

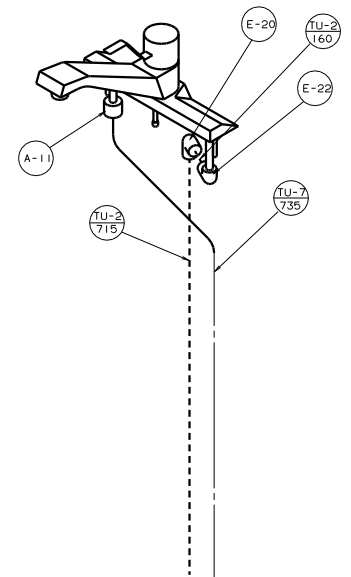
- TANK-WATER
121959-02-000
- STRAP-RETAINING
56337-15-000
- 54168-28-000
- BOLT
C18-05-40A(4)
- WASHER
E13-05-00B(4)
- NUT
D34-06-00B(4)



WASHER-PLASTIC, OFF-WHITE
87277-08-000

FRONT

TWIN BED



97 F33RQ

TITLE		WATER SYSTEM INSTL	
30	NO	SCALE	REV
SHEET	3 of 3	1/E	NO
			121524