

CL OF VEHICLE

DATUM FRONT EDGE OF MAIN FLOOR

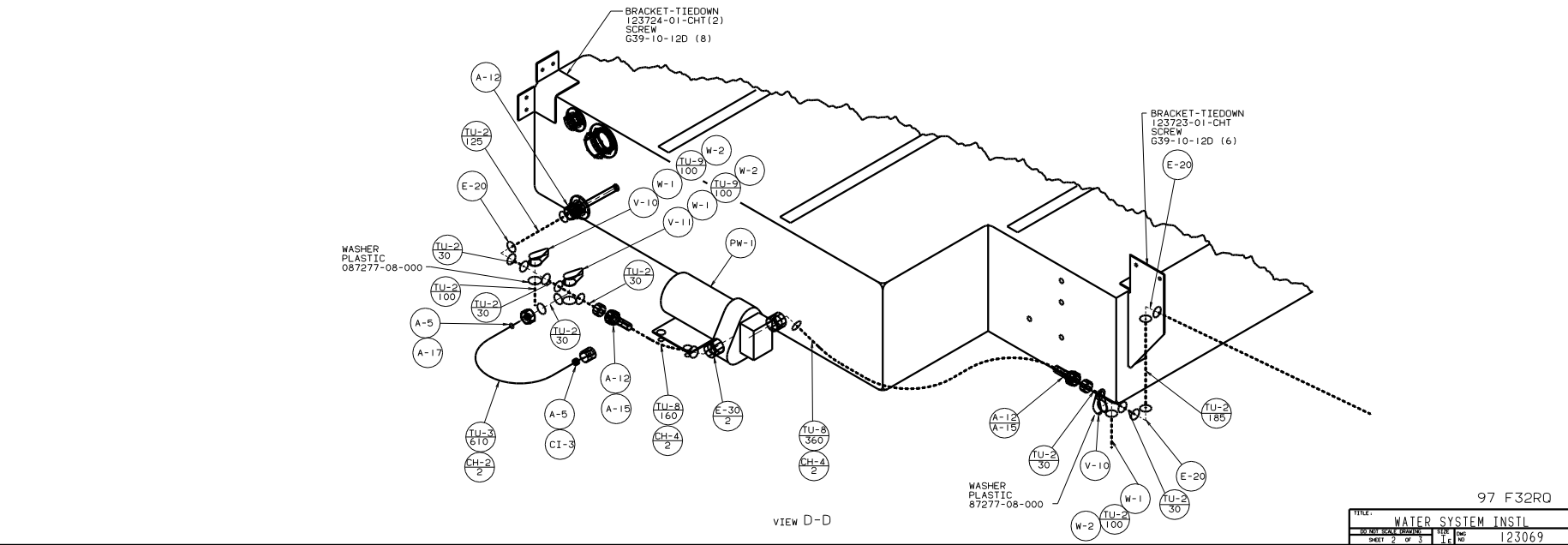
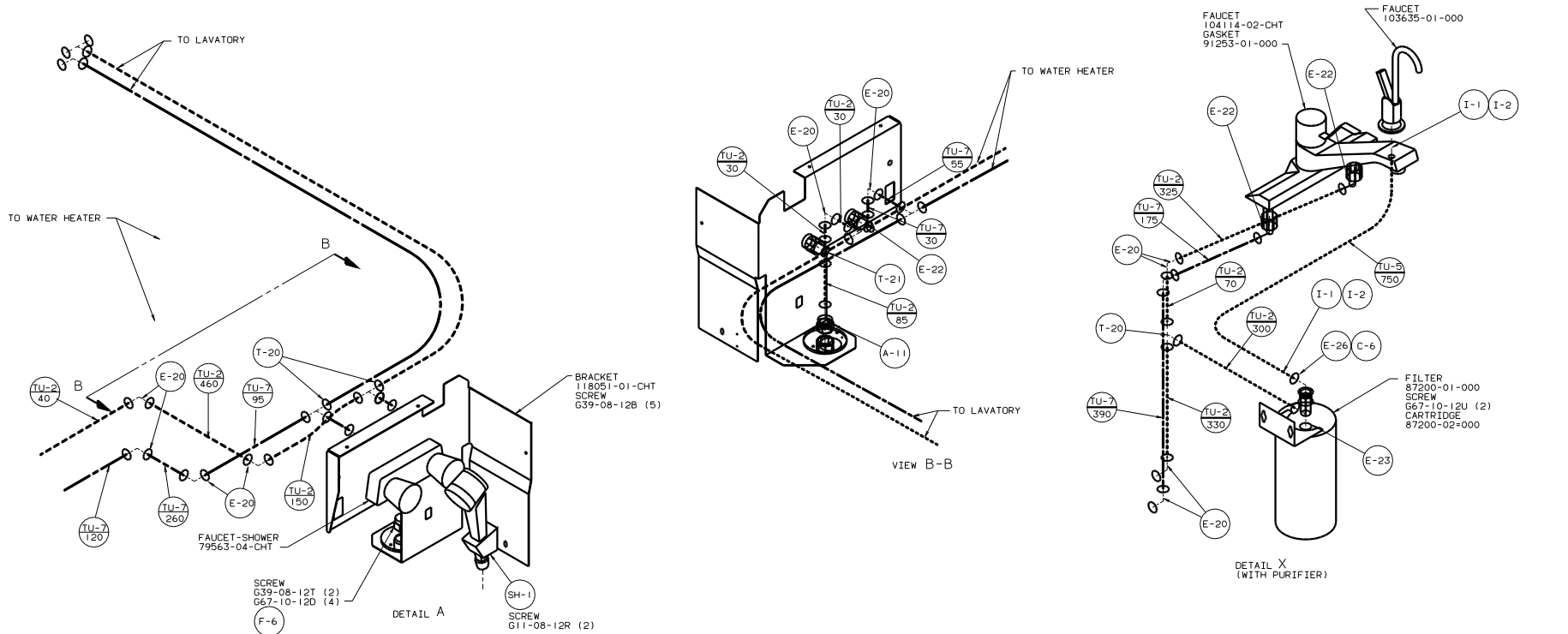
- ALL TUBING TO BE SECURED AT 1200 INTERVALS MAX WITH CLAMP 10495-01-000 OR CLIP 91951-01-000 AND SCREW G67-10-12B.
- TUBING TO BE INSTALLED WITH SUFFICIENT SLOPE TO PROVIDE DRAINAGE TO NEAREST VALVE.
- PLASTIC FITTINGS TO BE SEALED WITH SEALANT 84456-01-000.

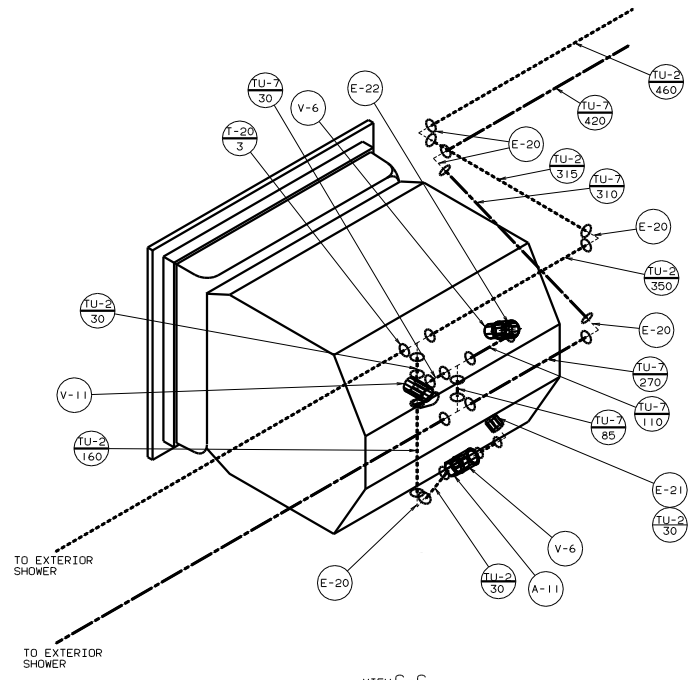
NOTES:

FOR WATER CALLOUTS SEE DWG NO. 116230-01-000

LEGEND	
HOT	=====
COLD	-----

<b>WINNEBAGO</b>		97 F32R0
DATE	UNDESIGNED TOLERANCES ARE:	MATERIAL
DATE	WHOLE DIM (IN)	F
DATE	ONE-PLACE (IN.XX)	.
DATE	TWO-PLACE (IN.XXX)	0.005
DATE	THREE-PLACE (IN.XXX)	0.001
DATE	FOUR-PLACE (IN.XXXX)	0.0005
DATE	FIVE-PLACE (IN.XXXXX)	0.0001
DATE	SIX-PLACE (IN.XXXXX)	0.00005
DATE	SEVEN-PLACE (IN.XXXXX)	0.00001
DATE	EIGHT-PLACE (IN.XXXXX)	0.000005
DATE	NINE-PLACE (IN.XXXXX)	0.000001
DATE	TEN-PLACE (IN.XXXXX)	0.0000005
DATE	ELEVEN-PLACE (IN.XXXXX)	0.0000001
DATE	TWELVE-PLACE (IN.XXXXX)	0.00000005
DATE	THIRTEEN-PLACE (IN.XXXXX)	0.00000001
DATE	FOURTEEN-PLACE (IN.XXXXX)	0.000000005
DATE	FIFTEEN-PLACE (IN.XXXXX)	0.000000001
DATE	SIXTEEN-PLACE (IN.XXXXX)	0.0000000005
DATE	SEVENTEEN-PLACE (IN.XXXXX)	0.0000000001
DATE	EIGHTEEN-PLACE (IN.XXXXX)	0.00000000005
DATE	NINETEEN-PLACE (IN.XXXXX)	0.00000000001
DATE	TWENTY-PLACE (IN.XXXXX)	0.000000000005
DATE	TWENTY-ONE-PLACE (IN.XXXXX)	0.000000000001
DATE	TWENTY-TWO-PLACE (IN.XXXXX)	0.0000000000005
DATE	TWENTY-THREE-PLACE (IN.XXXXX)	0.0000000000001
DATE	TWENTY-FOUR-PLACE (IN.XXXXX)	0.00000000000005
DATE	TWENTY-FIVE-PLACE (IN.XXXXX)	0.00000000000001
DATE	TWENTY-SIX-PLACE (IN.XXXXX)	0.000000000000005
DATE	TWENTY-SEVEN-PLACE (IN.XXXXX)	0.000000000000001
DATE	TWENTY-EIGHT-PLACE (IN.XXXXX)	0.0000000000000005
DATE	TWENTY-NINE-PLACE (IN.XXXXX)	0.0000000000000001
DATE	THIRTY-PLACE (IN.XXXXX)	0.00000000000000005
DATE	THIRTY-ONE-PLACE (IN.XXXXX)	0.00000000000000001
DATE	THIRTY-TWO-PLACE (IN.XXXXX)	0.000000000000000005
DATE	THIRTY-THREE-PLACE (IN.XXXXX)	0.000000000000000001
DATE	THIRTY-FOUR-PLACE (IN.XXXXX)	0.0000000000000000005
DATE	THIRTY-FIVE-PLACE (IN.XXXXX)	0.0000000000000000001
DATE	THIRTY-SIX-PLACE (IN.XXXXX)	0.00000000000000000005
DATE	THIRTY-SEVEN-PLACE (IN.XXXXX)	0.00000000000000000001
DATE	THIRTY-EIGHT-PLACE (IN.XXXXX)	0.000000000000000000005
DATE	THIRTY-NINE-PLACE (IN.XXXXX)	0.000000000000000000001
DATE	FOURTY-PLACE (IN.XXXXX)	0.0000000000000000000005
DATE	FOURTY-ONE-PLACE (IN.XXXXX)	0.0000000000000000000001
DATE	FOURTY-TWO-PLACE (IN.XXXXX)	0.00000000000000000000005
DATE	FOURTY-THREE-PLACE (IN.XXXXX)	0.00000000000000000000001
DATE	FOURTY-FOUR-PLACE (IN.XXXXX)	0.000000000000000000000005
DATE	FOURTY-FIVE-PLACE (IN.XXXXX)	0.000000000000000000000001
DATE	FOURTY-SIX-PLACE (IN.XXXXX)	0.0000000000000000000000005
DATE	FOURTY-SEVEN-PLACE (IN.XXXXX)	0.0000000000000000000000001
DATE	FOURTY-EIGHT-PLACE (IN.XXXXX)	0.00000000000000000000000005
DATE	FOURTY-NINE-PLACE (IN.XXXXX)	0.00000000000000000000000001
DATE	FIFTY-PLACE (IN.XXXXX)	0.000000000000000000000000005
DATE	FIFTY-ONE-PLACE (IN.XXXXX)	0.000000000000000000000000001
DATE	FIFTY-TWO-PLACE (IN.XXXXX)	0.0000000000000000000000000005
DATE	FIFTY-THREE-PLACE (IN.XXXXX)	0.0000000000000000000000000001
DATE	FIFTY-FOUR-PLACE (IN.XXXXX)	0.00000000000000000000000000005
DATE	FIFTY-FIVE-PLACE (IN.XXXXX)	0.00000000000000000000000000001
DATE	FIFTY-SIX-PLACE (IN.XXXXX)	0.000000000000000000000000000005
DATE	FIFTY-SEVEN-PLACE (IN.XXXXX)	0.000000000000000000000000000001
DATE	FIFTY-EIGHT-PLACE (IN.XXXXX)	0.0000000000000000000000000000005
DATE	FIFTY-NINE-PLACE (IN.XXXXX)	0.0000000000000000000000000000001
DATE	SIXTY-PLACE (IN.XXXXX)	0.00000000000000000000000000000005
DATE	SIXTY-ONE-PLACE (IN.XXXXX)	0.00000000000000000000000000000001
DATE	SIXTY-TWO-PLACE (IN.XXXXX)	0.000000000000000000000000000000005
DATE	SIXTY-THREE-PLACE (IN.XXXXX)	0.000000000000000000000000000000001
DATE	SIXTY-FOUR-PLACE (IN.XXXXX)	0.0000000000000000000000000000000005
DATE	SIXTY-FIVE-PLACE (IN.XXXXX)	0.0000000000000000000000000000000001
DATE	SIXTY-SIX-PLACE (IN.XXXXX)	0.00000000000000000000000000000000005
DATE	SIXTY-SEVEN-PLACE (IN.XXXXX)	0.00000000000000000000000000000000001
DATE	SIXTY-EIGHT-PLACE (IN.XXXXX)	0.000000000000000000000000000000000005
DATE	SIXTY-NINE-PLACE (IN.XXXXX)	0.000000000000000000000000000000000001
DATE	SEVENTY-PLACE (IN.XXXXX)	0.0000000000000000000000000000000000005
DATE	SEVENTY-ONE-PLACE (IN.XXXXX)	0.0000000000000000000000000000000000001
DATE	SEVENTY-TWO-PLACE (IN.XXXXX)	0.00000000000000000000000000000000000005
DATE	SEVENTY-THREE-PLACE (IN.XXXXX)	0.00000000000000000000000000000000000001
DATE	SEVENTY-FOUR-PLACE (IN.XXXXX)	0.000000000000000000000000000000000000005
DATE	SEVENTY-FIVE-PLACE (IN.XXXXX)	0.000000000000000000000000000000000000001
DATE	SEVENTY-SIX-PLACE (IN.XXXXX)	0.0000000000000000000000000000000000000005
DATE	SEVENTY-SEVEN-PLACE (IN.XXXXX)	0.0000000000000000000000000000000000000001
DATE	SEVENTY-EIGHT-PLACE (IN.XXXXX)	0.005
DATE	SEVENTY-NINE-PLACE (IN.XXXXX)	0.001
DATE	EIGHTY-PLACE (IN.XXXXX)	0.0005
DATE	EIGHTY-ONE-PLACE (IN.XXXXX)	0.0001
DATE	EIGHTY-TWO-PLACE (IN.XXXXX)	0.005
DATE	EIGHTY-THREE-PLACE (IN.XXXXX)	0.001
DATE	EIGHTY-FOUR-PLACE (IN.XXXXX)	0.0005
DATE	EIGHTY-FIVE-PLACE (IN.XXXXX)	0.0001
DATE	EIGHTY-SIX-PLACE (IN.XXXXX)	0.005
DATE	EIGHTY-SEVEN-PLACE (IN.XXXXX)	0.001
DATE	EIGHTY-EIGHT-PLACE (IN.XXXXX)	0.0005
DATE	EIGHTY-NINE-PLACE (IN.XXXXX)	0.0001
DATE	NINETY-PLACE (IN.XXXXX)	0.005
DATE	NINETY-ONE-PLACE (IN.XXXXX)	0.001
DATE	NINETY-TWO-PLACE (IN.XXXXX)	0.0005
DATE	NINETY-THREE-PLACE (IN.XXXXX)	0.0001
DATE	NINETY-FOUR-PLACE (IN.XXXXX)	0.005
DATE	NINETY-FIVE-PLACE (IN.XXXXX)	0.001
DATE	NINETY-SIX-PLACE (IN.XXXXX)	0.0005
DATE	NINETY-SEVEN-PLACE (IN.XXXXX)	0.0001
DATE	NINETY-EIGHT-PLACE (IN.XXXXX)	0.005
DATE	NINETY-NINE-PLACE (IN.XXXXX)	0.001
DATE	HUNDRED-PLACE (IN.XXXXX)	0.0005





VIEW C-C  
W/BYPASS  
W/MOTOR AID

97 F32RD

TITLE: WATER SYSTEM INSTL		DWG NO: 123069	
DATE: 3/03	BY: J.E.	DATE: 3/03	BY: J.E.
SHEET 3 OF 3		SHEET 1 OF 1	