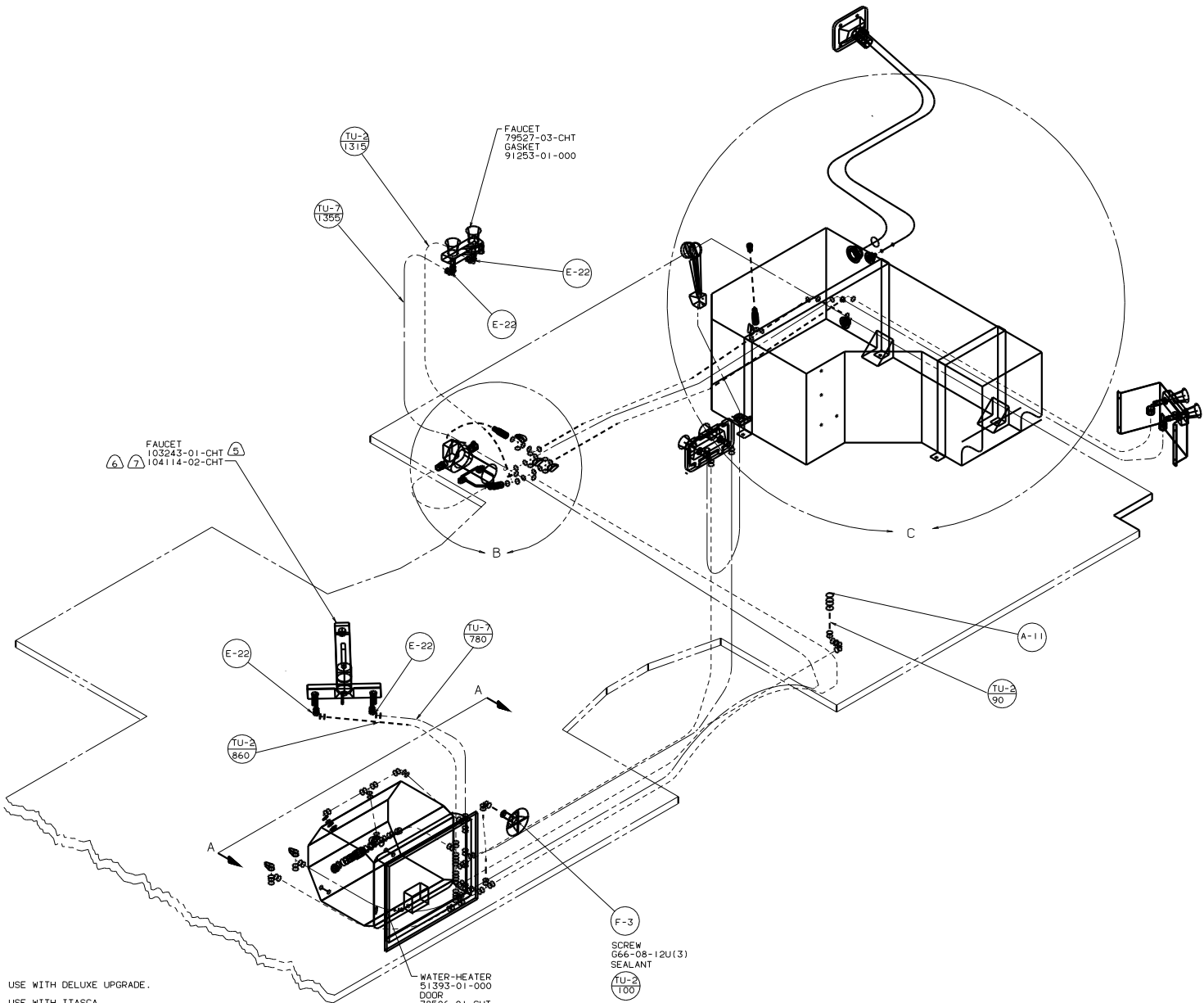


- 11. TRIM P-TRAP EXTENSION TO FIT.
- 10. SECURE VENT TUBES TO FLOOR.
- 9. VENT PIPE MUST PROJECT 51 MM MIN AND 63.5 MM MAX ABOVE ROOF FOR PROPER FIT AND FUNCTION.
- (B) SEE DWG 61607-01-000 FOR INSTL OF GROMMET.
- (A) SEAL ALL AROUND SHOWER WITH SILICONE 78474-01-CHT.
- FOR CAN UNITS EACH HOLDING TANK SHALL HAVE A CSA APPROVAL STAMPED NEAR THE IAMPO APPROVAL.
- 5. EXPOSED PIPE ABOVE ROOF TO BE PAINTED 37163-01-000.
- 4. ALL EXTERIOR OPENINGS AROUND PIPE TO BE SEALED WITH 69637-01-000.
- 3. ALL PIPE AND FITTINGS TO BE ASSEMBLED WITH SOLVENT 4020-01-000.
- 2. SLOPE OF TRAP ARM MUST BE 6 PER 300.
- 1. SLOPE OF HORIZONTAL PIPING TO BE 6 PER 300 MIN.

(X-X) FOR DRAINAGE CALLOUTS SEE DWG NO. 116229-01-000

WINNABAGO 97 F29R0	
DATE	UNDESIGNED TOLERANCES ARE MATERIAL.
DATE	SCALE DIM 1:1
DATE	ONE-PLACE (R.21)
DATE	TWO-PLACE (R.20)
DATE	SCALE
DATE	THRU WHOLE PROJECTION
DATE	
LAYOUT NONE	TITLE DRAINAGE SYSTEM INSTL
BY NONE	CHECKED NONE
SCALE NONE	NO. OF SHEETS 2
ALL DIMENSIONS ARE IN MILLIMETERS	SHEET 1 OF 1
	FIG NO 123129



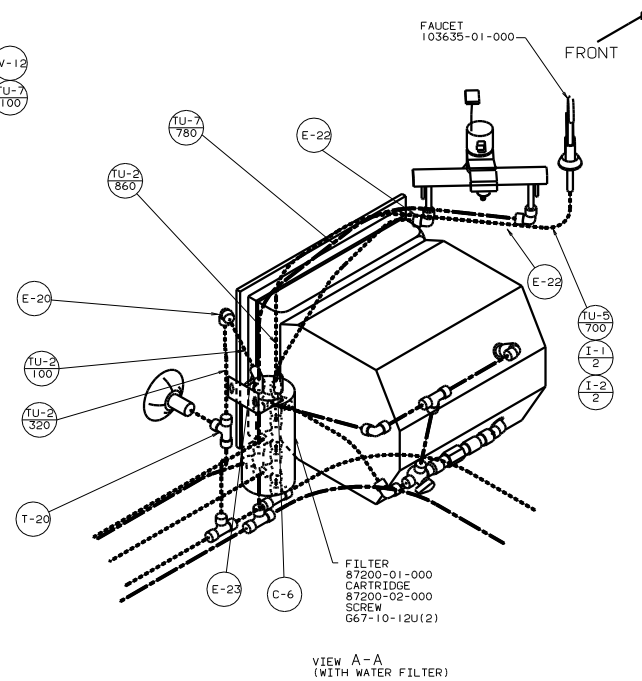
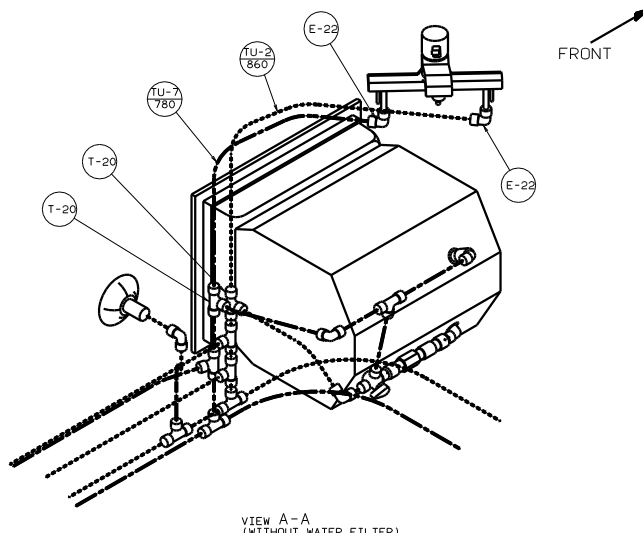
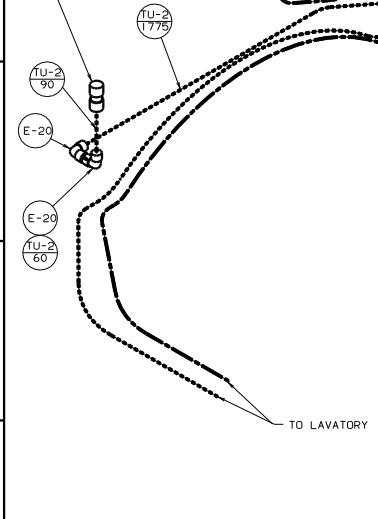
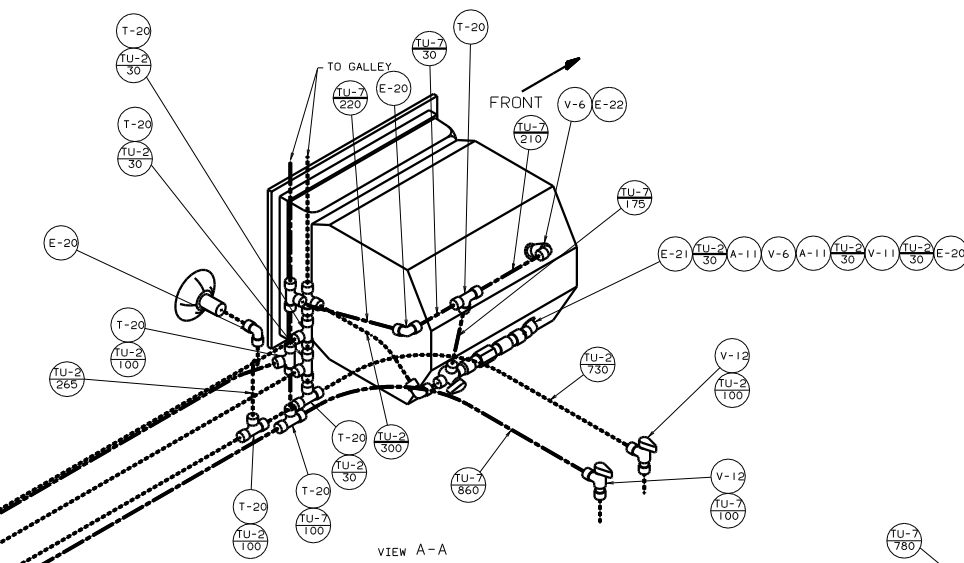
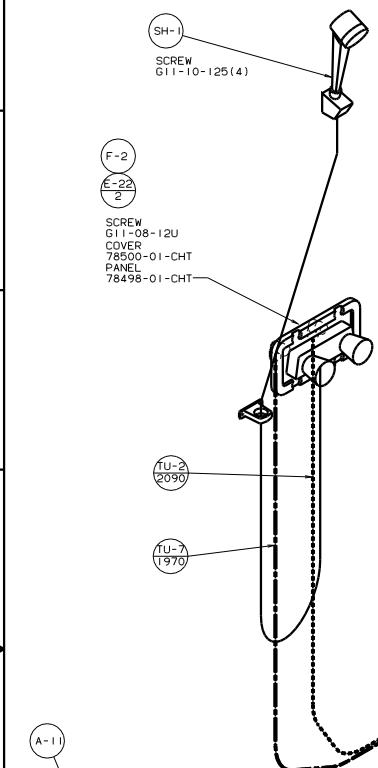
- 7. USE WITH DELUXE UPGRADE.
- 6. USE WITH ITASCA.
- 5. USE WITH WINNEBAGO W/O DELUXE UPGRADE PACKAGE.
- 4. PRESSURE VALVE MUST BE BETWEEN THE WATER HEATER AND CHECK VALVE OR BYPASS KIT.
- 3. ALL TUBING TO BE SECURED AT 1219 MAXIMUM SPACING WITH CLAMP 10495-01-000 AND SCREW G67-10-12B.
- 2. PLASTIC FITTINGS TO BE SEALED WITH SEALANT 84456-01-000.
- 1. TUBING TO BE INSTALLED WITH SUFFICIENT SLOPE TO PROVIDE DRAINAGE TO NEAREST VALVE.

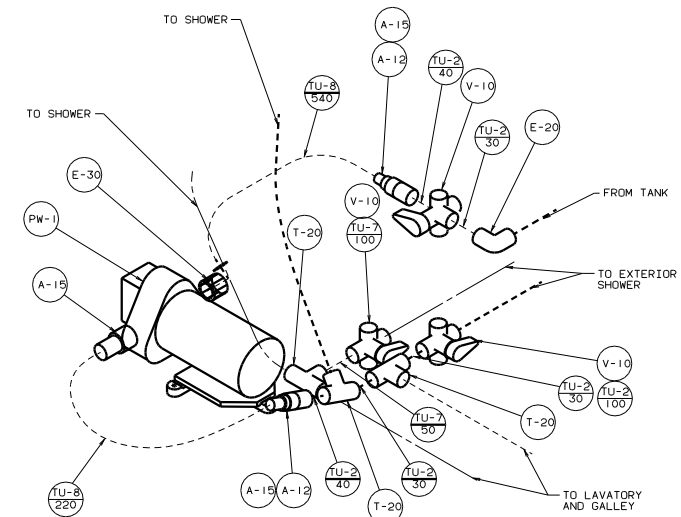
WATER-HEATER
 51393-01-000
 DOOR
 78506-01-CHT
 EXTR
 2726-01-210
 2726-01-212(2)
 SCREW
 G39-10-169(18)
 SEALANT

LEGEND	
HOT	●●●●●●
COLD	●●●●●●

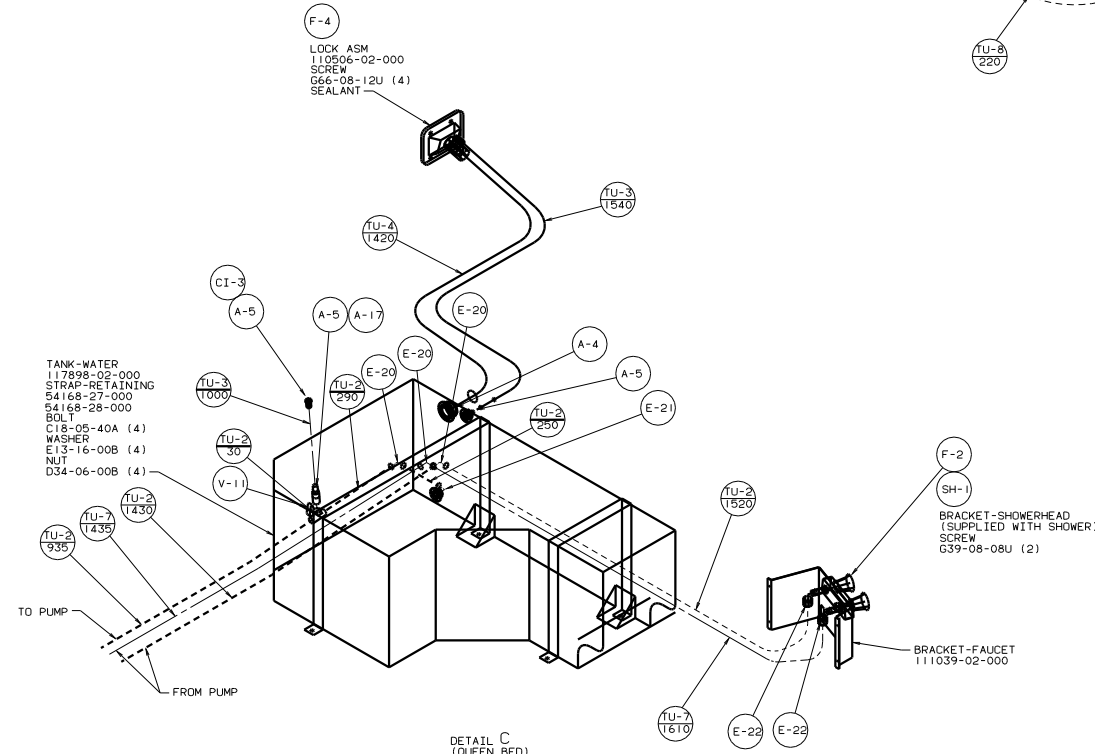
FOR WATER CALLOUTS SEE DWG NO. 116230-01-000

WINNEBAGO		97 F29RD
DPTN	DATE	PROPOSED TOLERANCES ARE:
CHW	DATE	WHOLE SIZE (X) .7
F.E	DATE	ONE-PLACE (X) .1
P.E	DATE	TWO-PLACE (X) .001
P.L	DATE	ANGLE
CDW	DATE	THIRD ANGLE PROJECTION
LAYER F29RD	TITLE	
NO		WATER SYSTEM INSTL
SIZE #	SCALE	NO. SHEETS
		1 OF 4
ALL DIMENSIONS ARE IN MILLIMETERS	SHEET	NO
		123105





DETAIL B

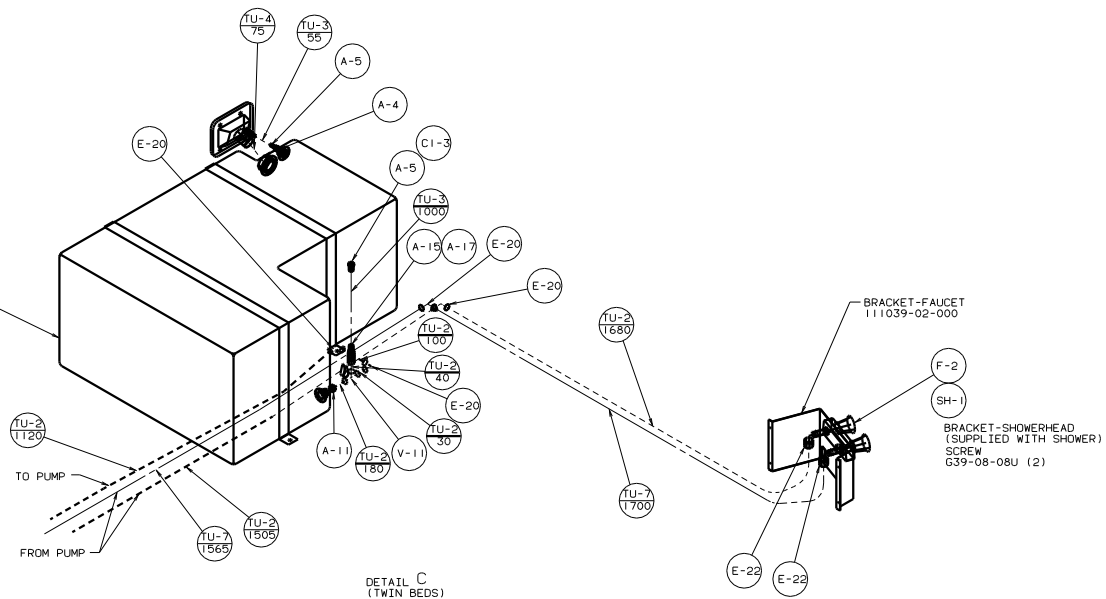


DETAIL C (QUEEN BED)

- TANK-WATER
- 117898-02-000
- STRAP-RETAINING
- 54168-27-000
- 54168-28-000
- BOLT
- C18-05-40A (4)
- WASHER
- E13-16-00B (4)
- NUT
- D34-06-00B (4)

- F-2
- SH-1
- BRACKET-SHOWERHEAD
- (SUPPLIED WITH SHOWER)
- SCREW
- G39-08-08U (2)

- TANK-WATER
- 121959-02-000
- STRAP-RETAINING
- 54168-27-000
- 54168-28-000
- BOLT
- C18-05040A (4)
- WASHER
- E13-16-00B (4)
- NUT
- D34-06-00B (4)



DETAIL C
(TWIN BEDS)

TITLE		WATER SYSTEM INSTL	
NO. OF SHEETS	4	SHEET	4 OF 4
DATE		REV	1.0
		123105	