

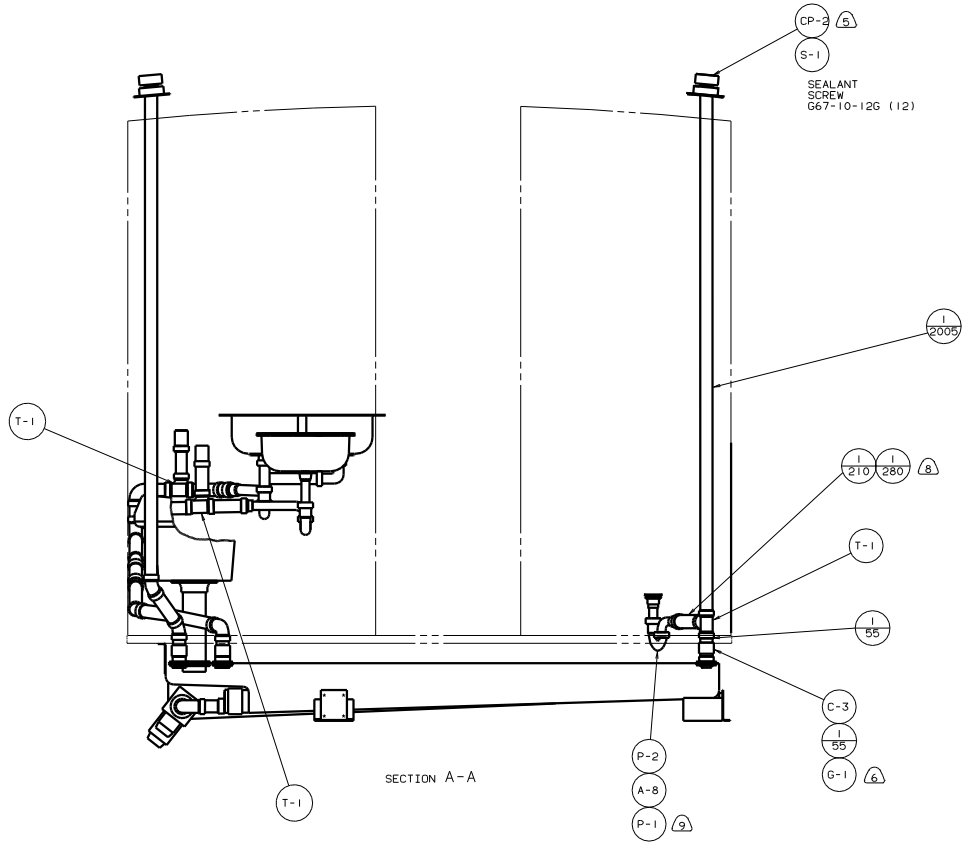
- (A) ASSEMBLE WITH ADHESIVE 99501-01-000.
- (B) CSA ONLY.
- (7) ALL PIPE TO BE SUPPORTED AT 1200 INTERVALS MAX.
- (A) SEE DWG 61607-01-000 FOR INSTL OF GROMMET.
- (A) VENT PIPE MUST PROJECT 51 MIN TO 64 MAX ABOVE ROOF FOR PROPER FIT AND FUNCTION.
- 4. ALL EXTERIOR OPENINGS AROUND PIPE TO BE SEALED.
- 3. ALL PIPE AND FITTINGS TO BE ASSEMBLED WITH SOLVENT 4020-01-000.
- 2. SLOPE OF TRAP MUST BE 6 PER 300 MINIMUM.
- 1. SLOPE OF HORIZONTAL PIPING TO BE 6 PER 300 MINIMUM.

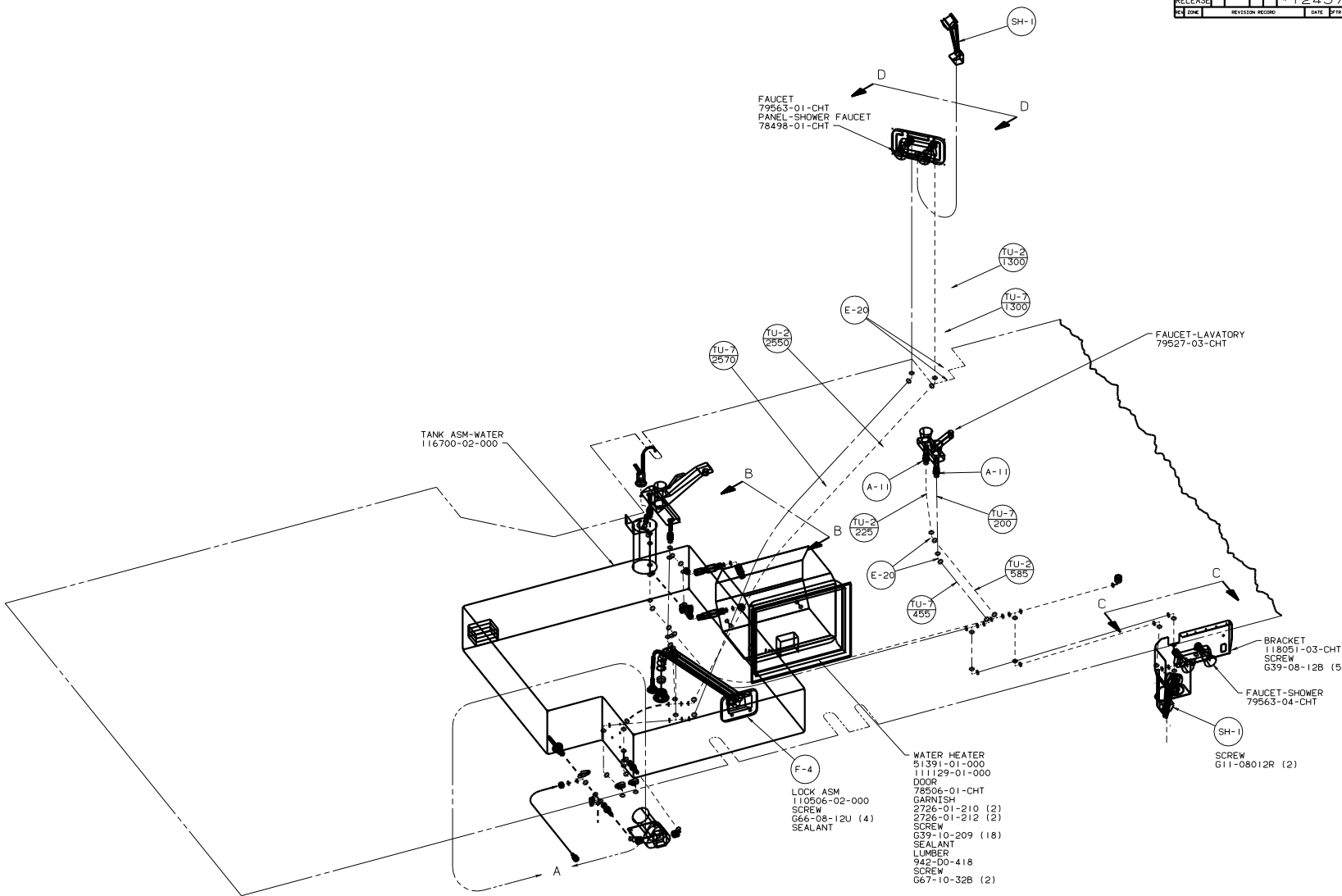
X-X  
 FOR DRAINAGE CALLOUTS SEE DWG NO. 116229-01-000

**WINNEBAGO** 97 F28RO

OF 10	DATE	UNSPECIFIED TOLERANCES ARE:	MATERIAL
CHP	DATE	WHOLE DIM (IN)	1/8, 1/16
DFE	DATE	ONE-PLACE (IN, IN)	
D/E	DATE	TWO-PLACE (IN, IN)	
DATE	DATE	MISC.	
DATE	DATE	INDUS. W/OLE PROJECTION	

LABOR E28RO TITLE DRAINAGE SYSTEM INSTL  
 DRG # SCALE: NONE TO THE SCALE DRAWING PER ENG 124401  
 ALL DIMENSIONS ARE IN MILLIMETERS SHEET 1 OF 2 1/8





- WATER HEATER 51391-01-000
- DOOR 111129-01-000
- 78506-01-CHT
- GARNISH 2726-01-210 (2)
- 2726-01-212 (2)
- SCREW 639-10-209 (18)
- SEALANT 942-00-418
- LUMBER 667-10-32B (2)

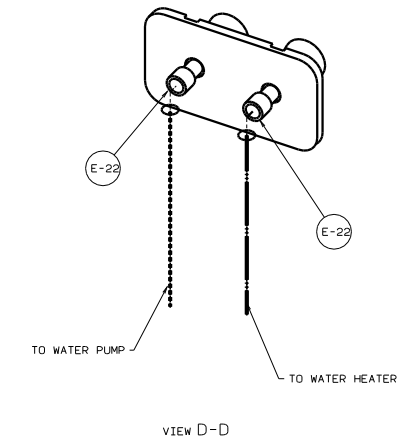
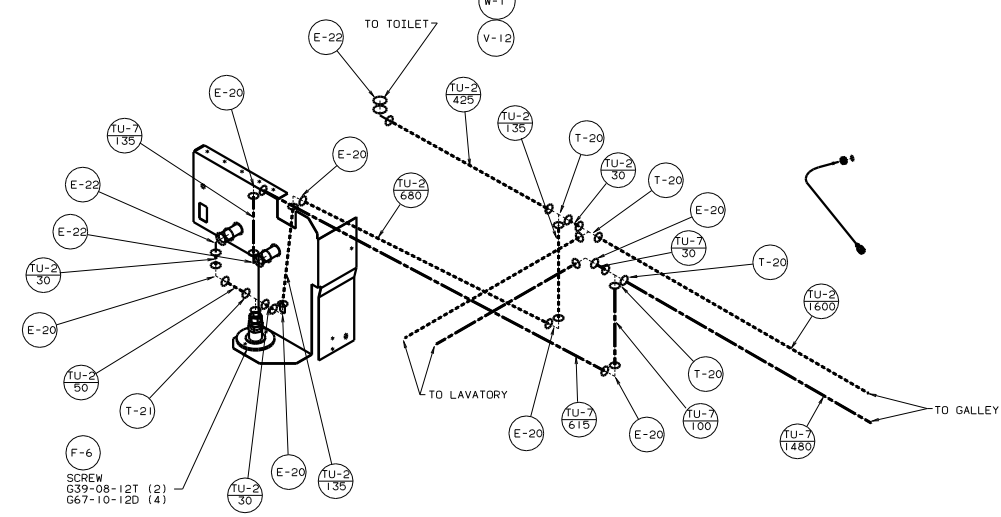
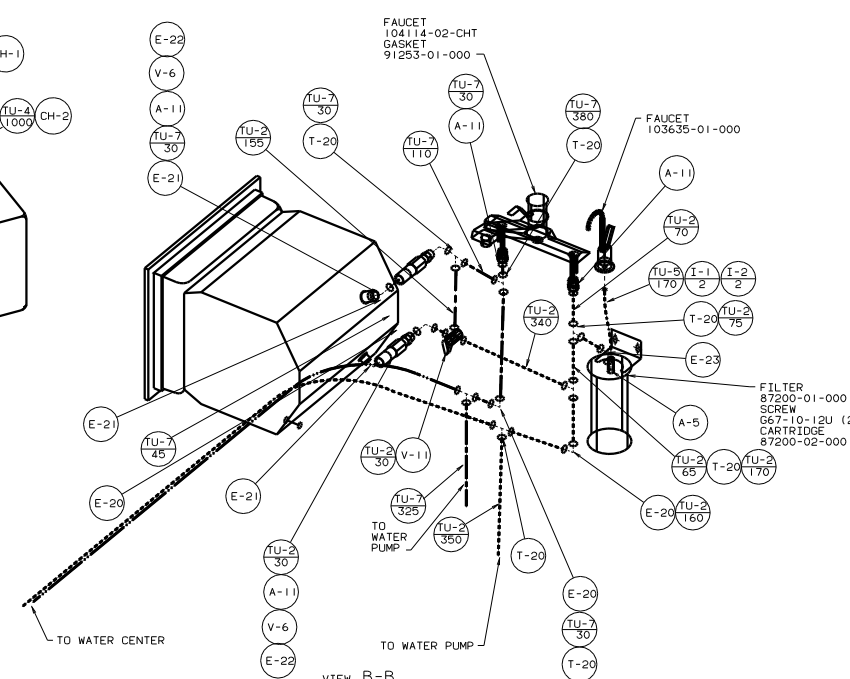
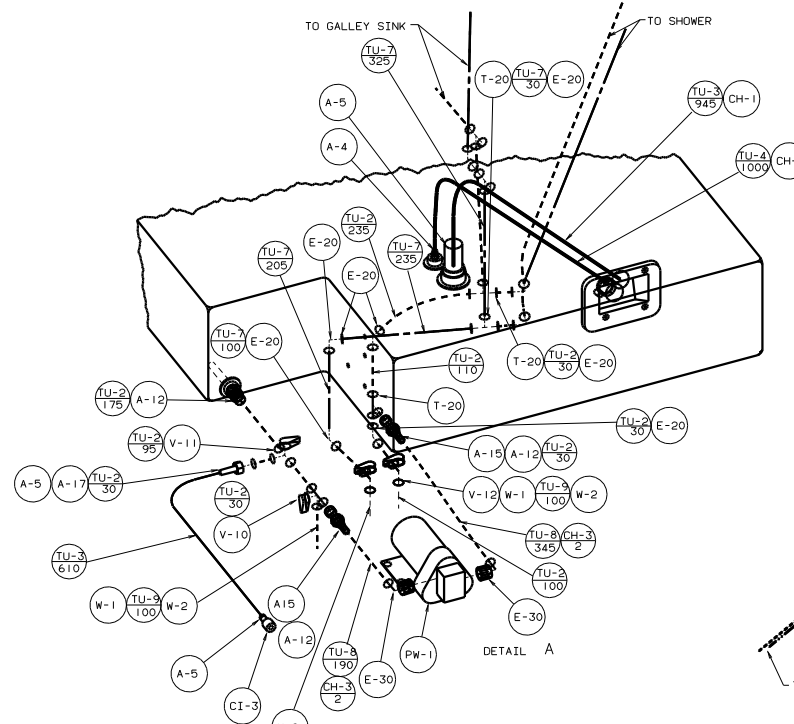
3. ALL TUBING TO BE SECURED AT 1200 INTERVALS MAX WITH CLAMP 10495-01-000 OR CLIP 91951-01-000 AND SCREW G67-10-12B.
2. TUBING TO BE INSTALLED WITH SUFFICIENT SLOPE TO PROVIDE DRAINAGE TO NEAREST VALVE.
1. PLASTIC FITTINGS TO BE SEALED WITH SEALANT 84456-01-000.

NOTES:

(X-X) FOR WATER CALLOUTS SEE DWG NO. 116230-01-000

LEGEND	
HOT	-----
COLD	-----

WINNEBAGO		97 F28R0
QTY	DATE	UNAPPROVED TOLERANCES ARE:
CHG	DATE	WHOLE DIM (IN) .1
DTE	DATE	ONE-PLACE (IN, IN) .01
W/E	DATE	TWO-PLACE (IN, IN) .001
DRG	DATE	THIRD PLACE (IN, IN) .0001
NO.	DATE	PROJECTION
LARGE: E28R0		TITLE: WATER SYSTEM INSTL
DR #	SCALE: NONE	DO NOT SCALE DIMENSIONS
ALL DIMENSIONS ARE IN MILLIMETERS		SHEET 1 OF 2
REF: 117150 F 1		124576



VIEW C-C

VIEW D-D

97 F28RQ	
TITLE WATER SYSTEM INSTL	
NO. OF SHEETS	TOTAL SHEETS
2 OF 2	2 OF 2
124576	