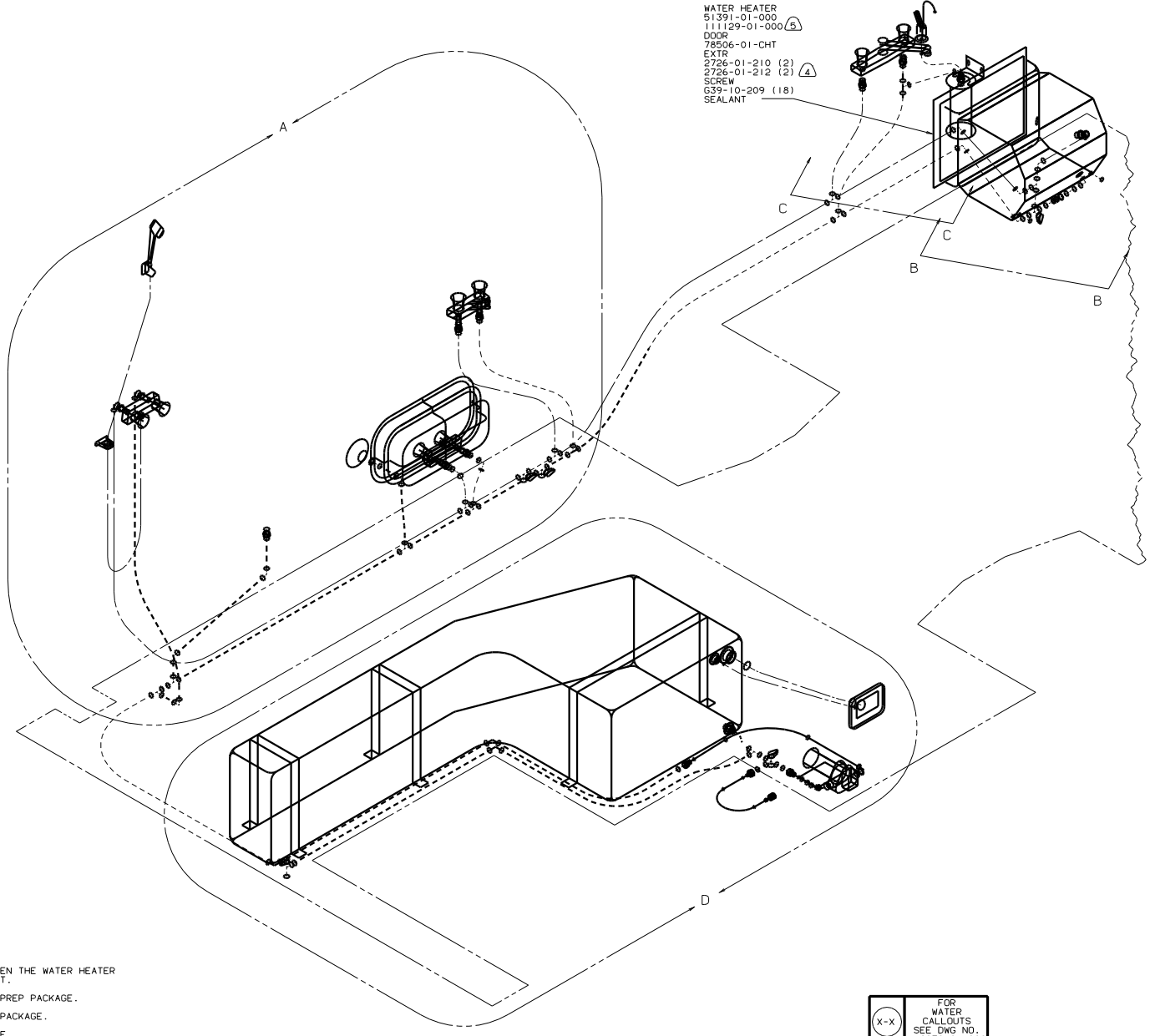


- (12) NOT USED ON CANADIAN UNITS.  
 (1) TRIM P-TRAP EXTENSION TO FIT.  
 (10) SECURE VENT TUBES TO FLOOR.  
 (9) VENT PIPE MUST PROJECT 51 MM MIN AND 63.5 MM MAX ABOVE ROOF FOR PROPER FIT AND FUNCTION.  
 (8) SEE DWG 61607-01-000 FOR INSTL OF GROMMET.  
 (7) SEAL ALL AROUND SHOWER WITH SILICONE 78474-01-CHT.  
 6. FOR CANADA UNITS EACH HOLDING TANK SHALL HAVE A CSA APPROVAL STAMPED NEAR THE TAPMO APPROVAL.  
 5. EXPOSED PIPE ABOVE ROOF TO BE PAINTED 37163-01-000.  
 4. ALL EXTERIOR OPENINGS AROUND PIPE TO BE SEALED WITH 69637-01-000.  
 3. ALL PIPE AND FITTINGS TO BE ASSEMBLED WITH SOLVENT 4020-01-000.  
 2. SLOPE OF TRAP ARM MUST BE 6 PER 300.  
 1. SLOPE OF HORIZONTAL PIPING TO BE 6 PER 305 MIN.

FOR DRAINAGE CALLOUTS SEE DWG NO. 116229-01-000

LAYER F28RC6		TITLE: DRAINAGE SYSTEM INSTL	
DATE	DATE	DATE	DATE
DRW	DATE	DRW	DATE
P-E	DATE	P-E	DATE
C-E	DATE	C-E	DATE
CHK	DATE	CHK	DATE
APP	DATE	APP	DATE
NO	SCALE: NONE	NO	SCALE: NONE
SHEET 1 OF 1		REF: 115815 B 1	
119315		119315	

- WATER HEATER  
 51391-01-000
- 111129-01-000 (5) (A)
- DOOR  
 78506-01-CHT
- EXTR  
 2726-01-210 (2) (A)
- 2726-01-212 (2) (A)
- SCREW  
 629-10-209 (18)
- SEALANT



- (A) PRESSURE VALVE MUST BE BETWEEN THE WATER HEATER AND CHECK VALVE OR BYPASS KIT.
  - (B) NOT USED WITH W.I.E. EXPORT PREP PACKAGE.
  - (C) USE WITH W.I.E. EXPORT PREP PACKAGE.
  - (D) MOUNT SHIELD TO HEATER FLANGE ABOVE EXHAUST VENT.
3. ALL TUBING TO BE SECURED AT 1219 SPACING MAXIMUM WITH CLAMP 10495-01-000 AND SCREW G67-10-12B.
  2. PLASTIC FITTINGS TO BE SEALED WITH SEALANT 84456-01-000.
  1. TUBING TO BE INSTALLED WITH SUFFICIENT SLOPE TO PROVIDE DRAINAGE TO NEAREST VALVE.

(X-X) FOR WATER CALLOUTS SEE DWG NO. 116230-01-000

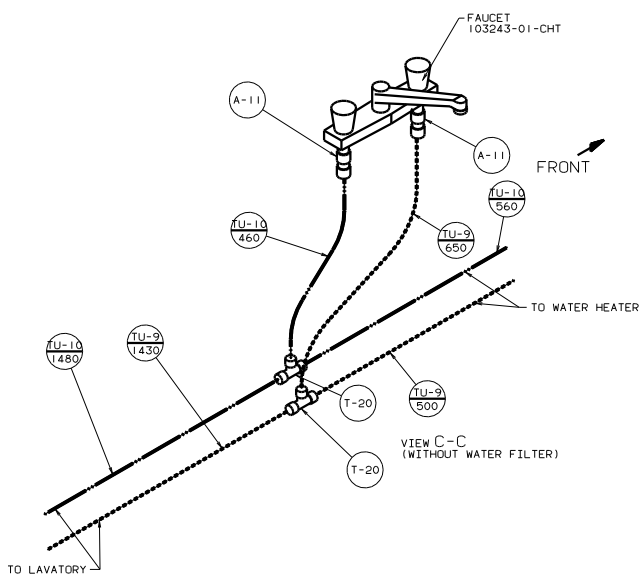
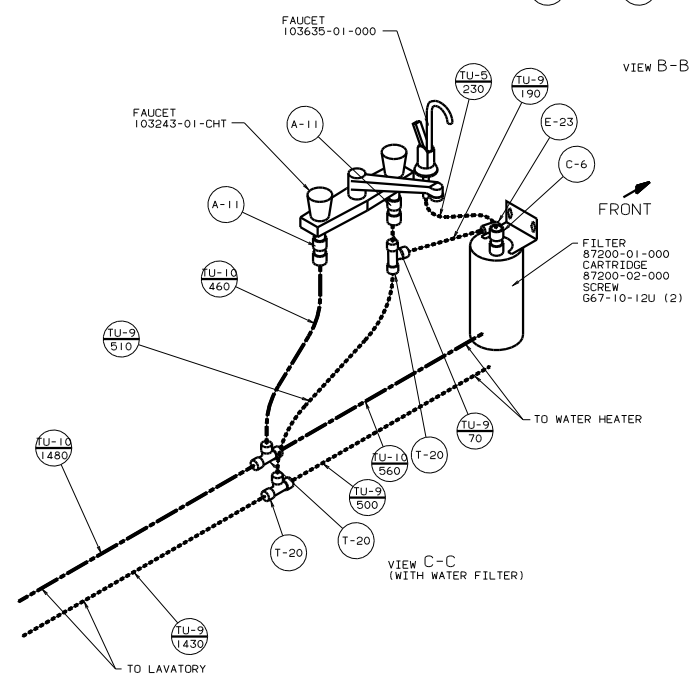
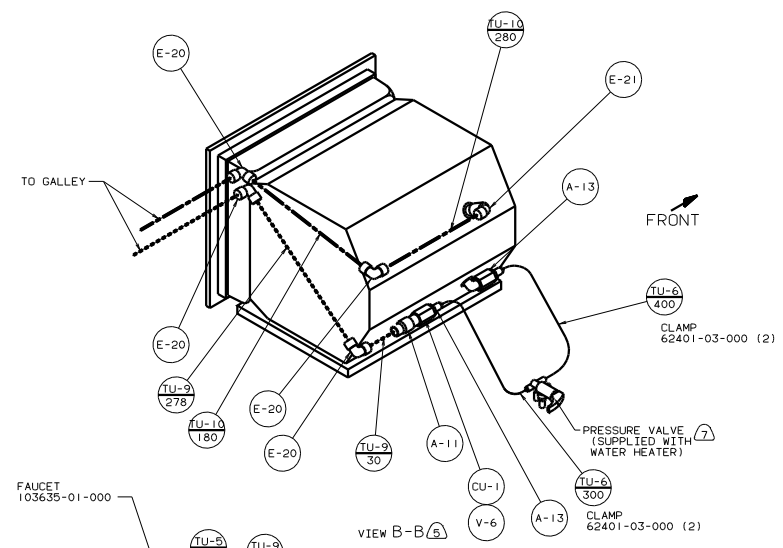
LEGEND	
HOT	-----
COLD	*****

**WINNEBAGO** 97 F28RC

DATE	DATE	PROPOSED TOLERANCES ARE:	MATERIAL:
DWG	DATE	WHOLE SIZE (1:1)	+
P.E.	DATE	TWO-PHASE (1:2, 1:1)	+
P.L.	DATE	THIRD ANGLE PROJECTION	
DATE	DATE		

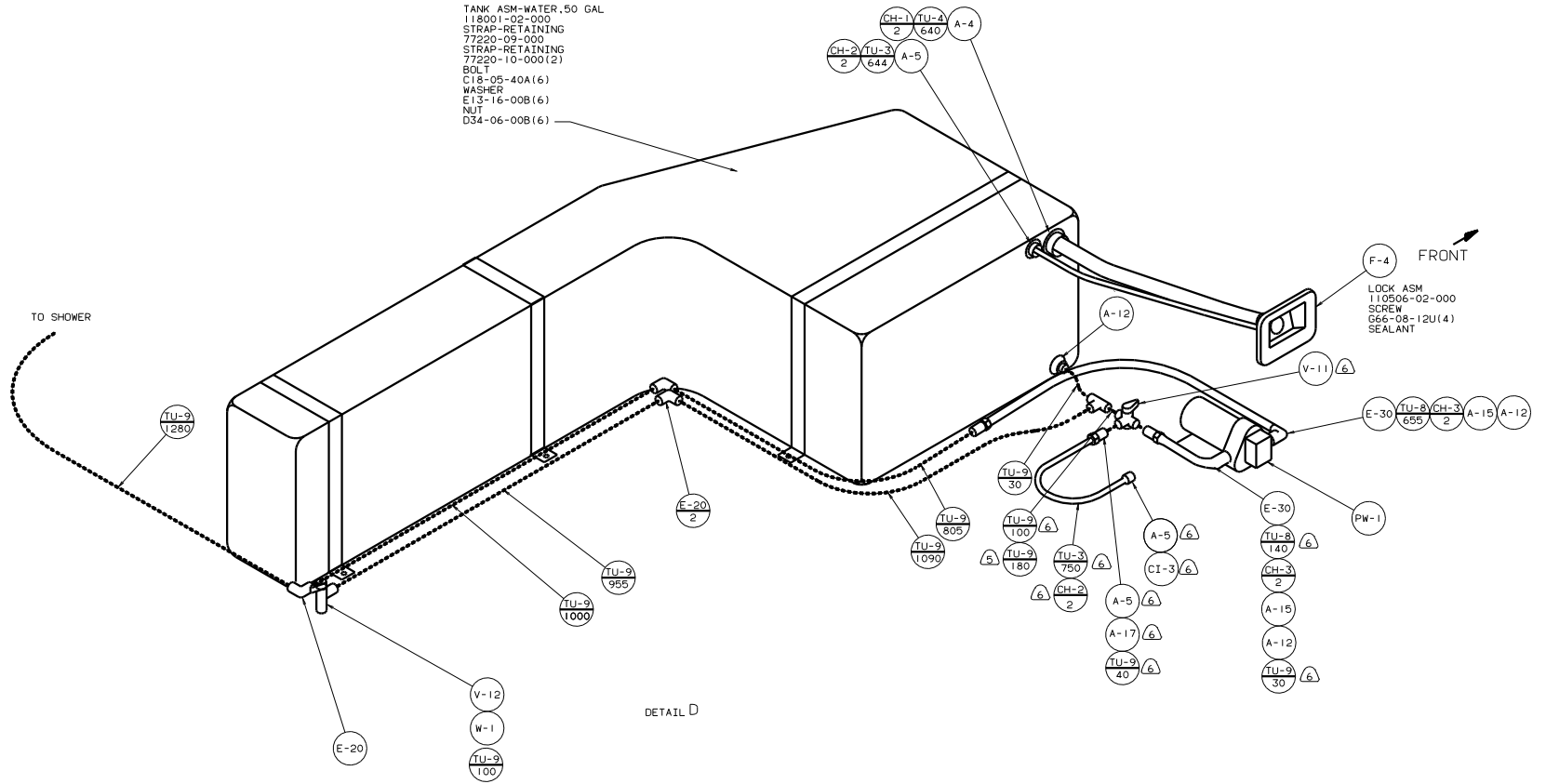
LAYER F28RC TITLE: WATER SYSTEM INSTL  
 124768





TANK ASM-WATER, 50 GAL  
 118001-02-000  
 STRAP-RETAINING  
 77220-09-000  
 STRAP-RETAINING  
 77220-10-000(2)  
 BOLT  
 C18-05-40A (6)  
 WASHER  
 E13-16-00B (6)  
 NUT  
 D34-06-00B (6)

F-4 FRONT  
 LOCK ASM  
 110506-02-000  
 SCREW  
 G66-08-12U(4)  
 SEALANT



DETAIL D

TITLE		WATER SYSTEM INSTL	
30	NO SCALE DRAWING	1	Doc NO
SHEET	4 of 4	1	124768