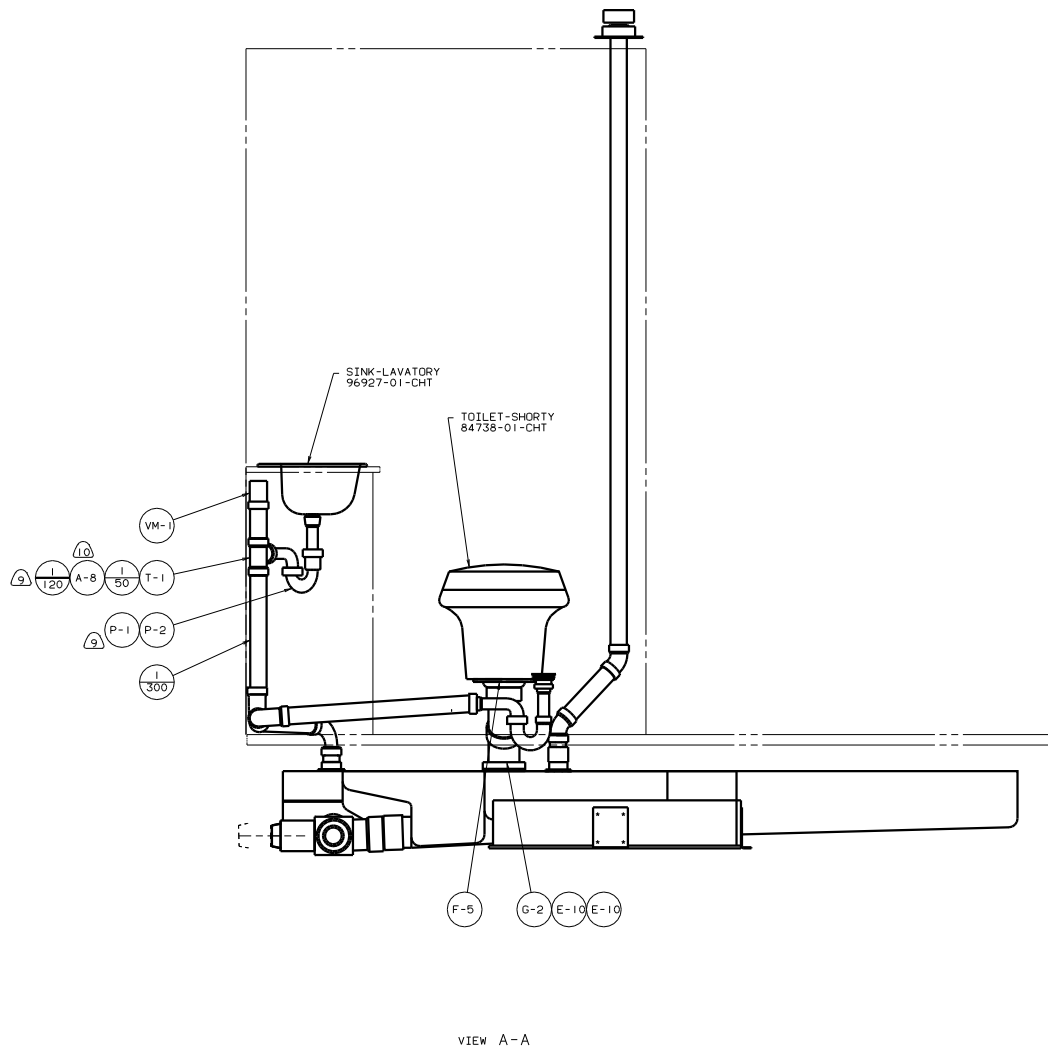


- NOT USED ON CANADIAN UNITS.
- CSA ONLY.
- ALL PIPE TO BE SUPPORTED AT 1200 INTERVALS MAXIMUM.
- SEE DWG 61607-01-000 FOR INSTL OF GROMMET.
- SEAL ALL AROUND SHOWER PAN.
- VENT PIPE MUST PROJECT 51 MM MIN TO 64 MM MAX ABOVE ROOF FOR PROPER FIT AND FUNCTION.
- ALL EXTERIOR OPENINGS AROUND PIPE TO BE SEALED.
- ALL PIPE AND FITTINGS TO BE ASSEMBLED WITH SOLVENT 4020-01-000.
1. SLOPE OF HORIZONTAL PIPING TO BE 6 PER 300 MINIMUM.

FOR DRAINAGE CALLOUTS SEE DWG NO. 116229-01-000					96 D32R0
			LAYOUT D32R06	TITLE: DRAINAGE SYSTEM INSTL	DATE: 120304
<p>DR # _____ SCALE: NONE ALL DIMENSIONS ARE IN MILLIMETERS</p>			<p>SHEET 1 OF 2</p>	<p>PAGE 1 OF 1</p>	<p>DATE: 120304</p>

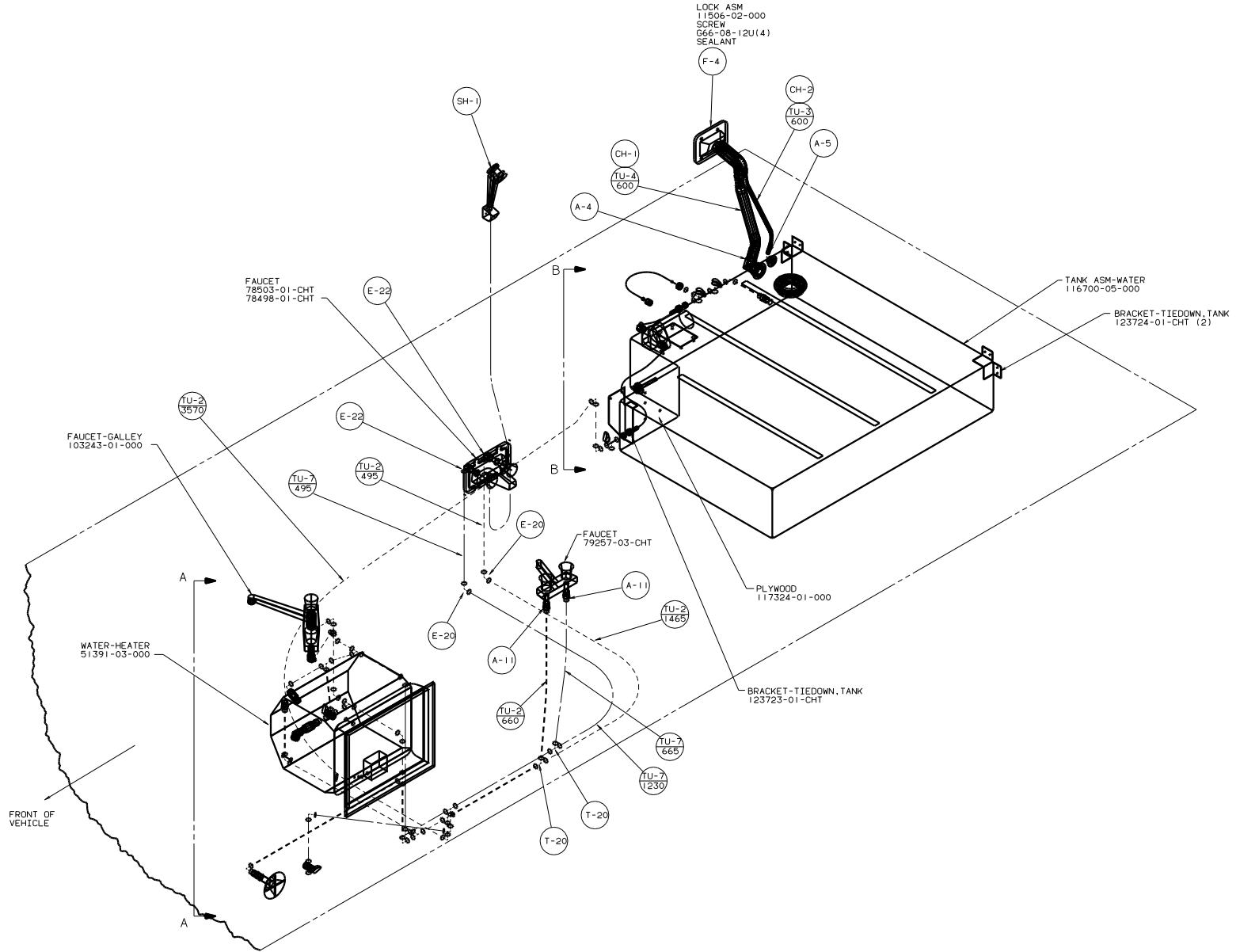
8 7 6 5 4 3 2 1

H
G
F
E
D
C
B
A



TITLE: DRAINAGE SYSTEM INSTL	
DATE: 11/10/05	REV: 1
SHEET: 2 of 2	DWG NO: 120304

8 7 6 5 4 3 2 1

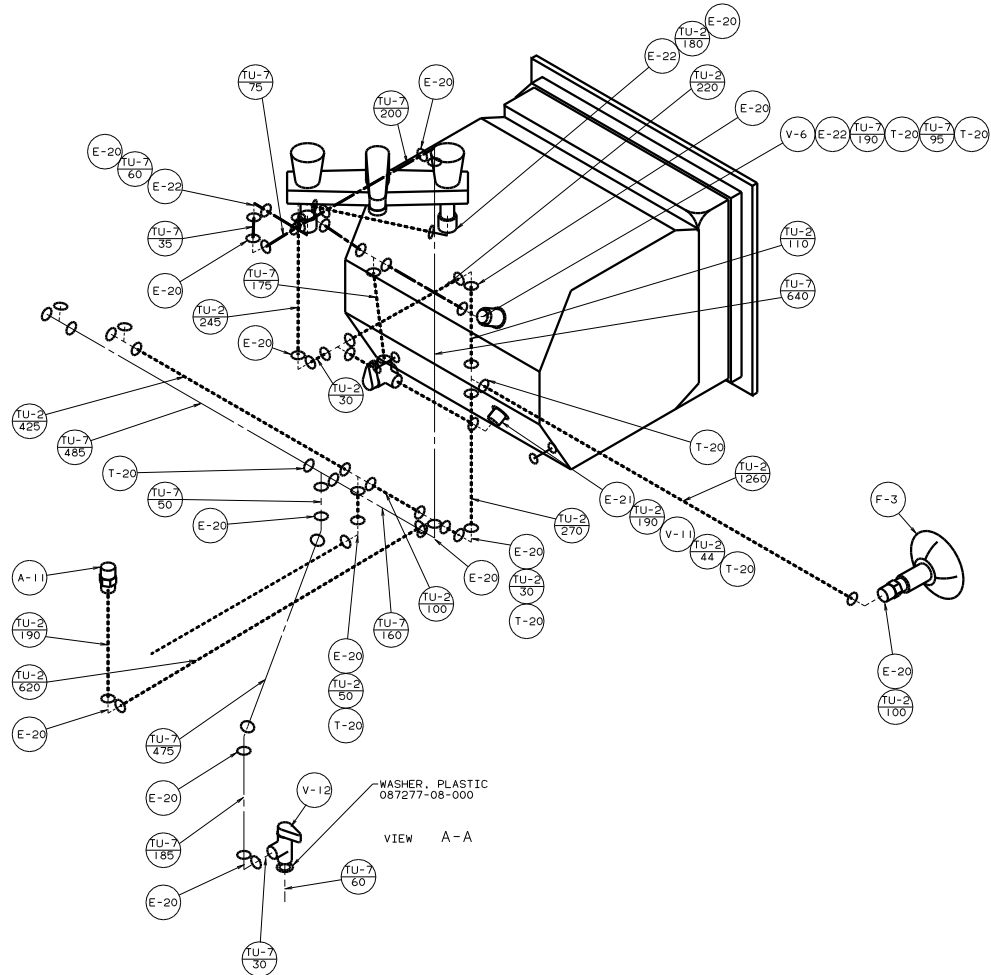


- NOTES:
1. PLASTIC FITTINGS TO BE SEALED WITH SEALANT 84456-01-000.
 2. TUBING TO BE INSTALLED WITH SUFFICIENT SLOPE TO PROVIDE DRAINAGE TO NEAREST VALVE.
 3. ALL TUBING TO BE SECURED AT 1200 INTERVALS MAX WITH CLAMP 10495-01-000 OR CLIP 91951-01-000 AND SCREW G67-10-12B.

X-X FOR WATER CALLOUTS SEE DWG NO. 116230-01-000

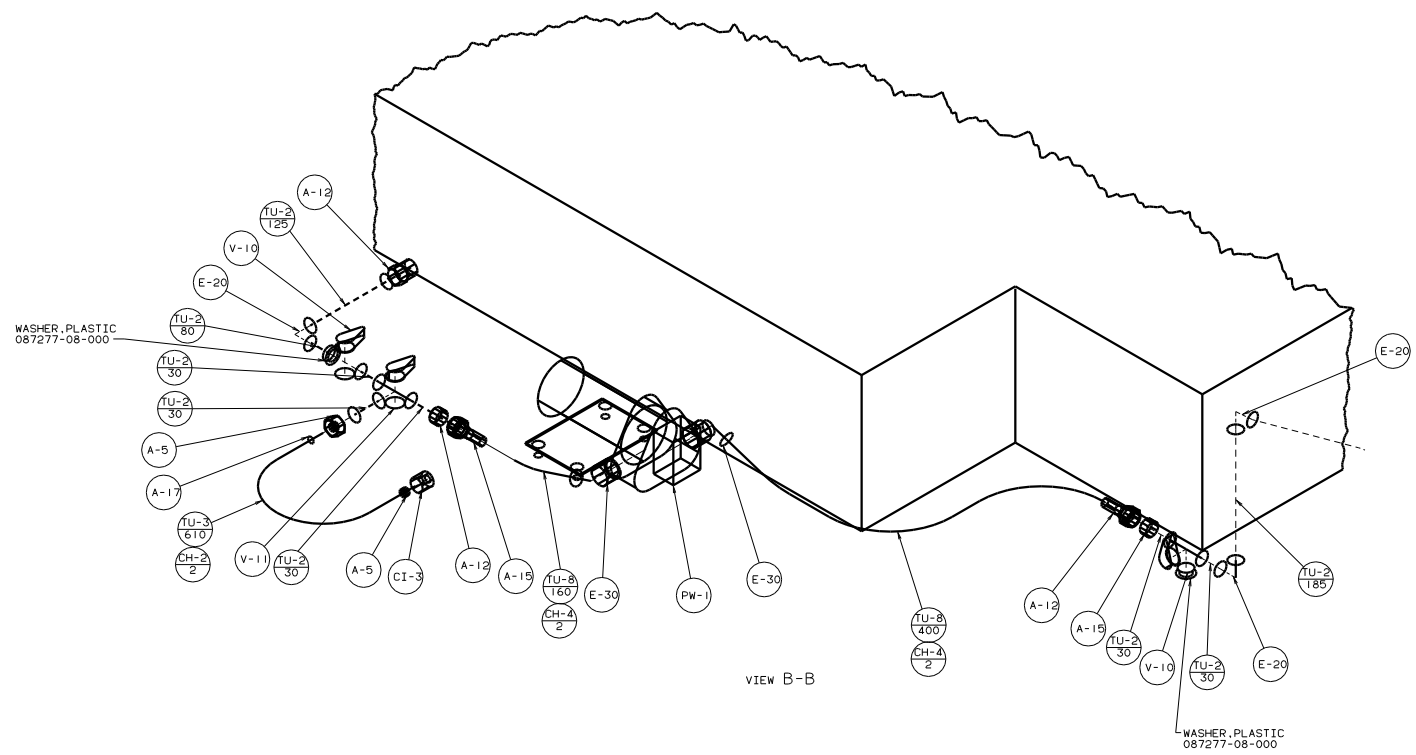
LEGEND	
HOT	----->
COLD	----->

WINNEBAGO		97 D32R0
DPN	DATE	UNDESIGNED TOLERANCES ARE:
DWG	DATE	WHOLE SIZE (1:1) + .7
P.E.	DATE	ONE-HALF SIZE (1:2) + .5
D.V.E.	DATE	TWO-HALF SIZE (1:4) + .5
CONV	DATE	THIRD ANGLE PROJECTION
LAYER NO	D32R06	TITLE: WATER SYSTEM INSTL
SIZE #	SCALE: NONE	NO. OF SHEETS: 3
ALL DIMENSIONS ARE IN MILLIMETERS		SHEET 1 OF 3
REF: 119980		121881



97 D32RQ

TITLE: WATER SYSTEM INSTL	
NO. OF SHEETS	TOTAL SHEETS
SHEET 2 OF 3	16
DATE	121881



VIEW B-B

WASHER, PLASTIC
087277-08-000

97 D32R0

TITLE: WATER SYSTEM INSTL		Doc No	121881
30 THE SCALE LISTING	31	1.6	
SHEET 3 OF 3			