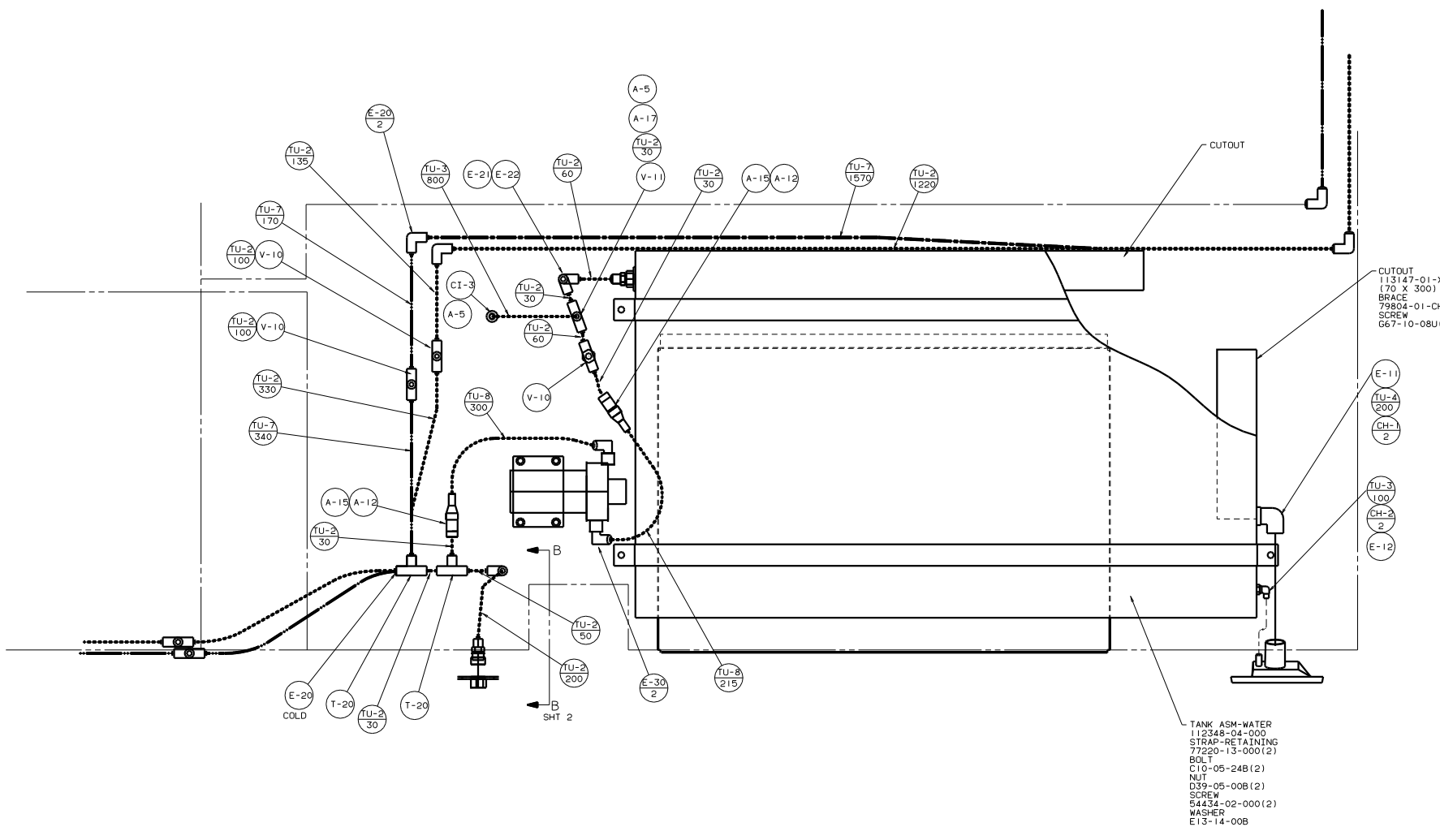


TITLE		121750	
WATER SYSTEM INSTL		121750	
NO. OF SHEETS	SHEET NO.	TITLE	NO.
3	2	WATER SYSTEM INSTL	121750



CUTOUT
 113147-01-XXX
 (70 X 300)
 BRACE
 79804-01-CHT
 SCREW
 G67-10-08U(8)

TANK ASM-WATER
 112348-04-000
 STRAP-RETAINING
 77220-13-000(2)
 BOLT
 C10-05-24B(2)
 NUT
 D39-05-00B(2)
 SCREW
 54434-02-000(2)
 WASHER
 E13-14-00B

DETAIL C

TWIN BED EXCHANGE

TITLE: WATER SYSTEM INSTL		REV	DATE
NO. REV.	SCALE	BY	CHK
3			
SHEET 3 OF 3		FIG. NO.	121750