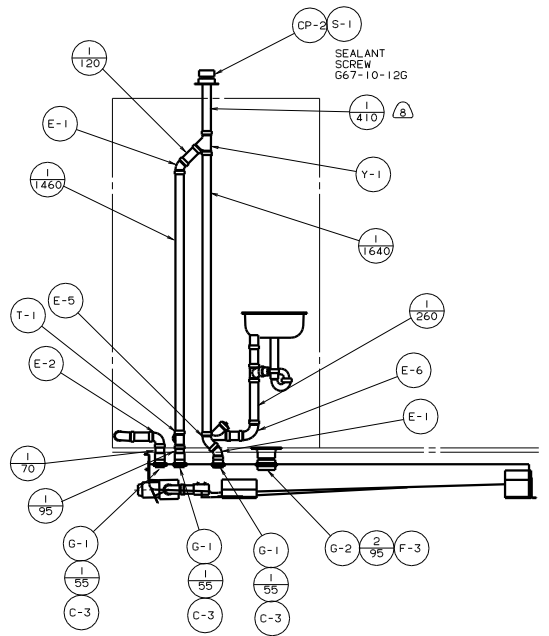
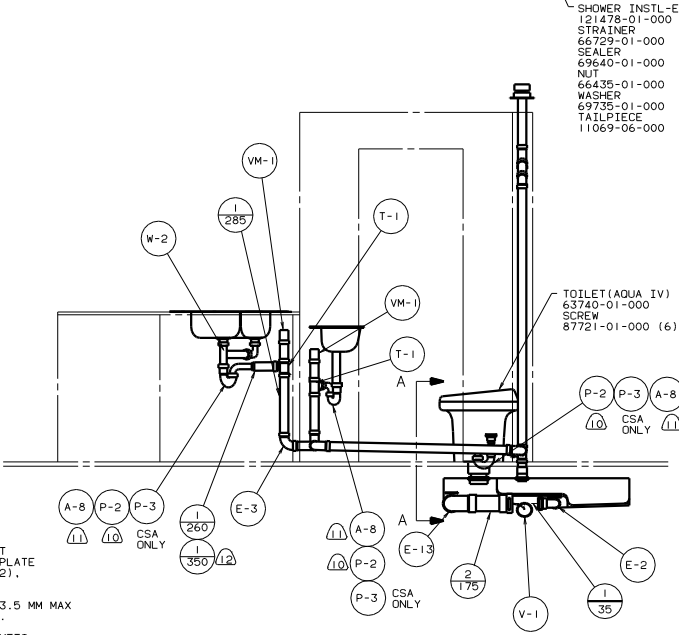


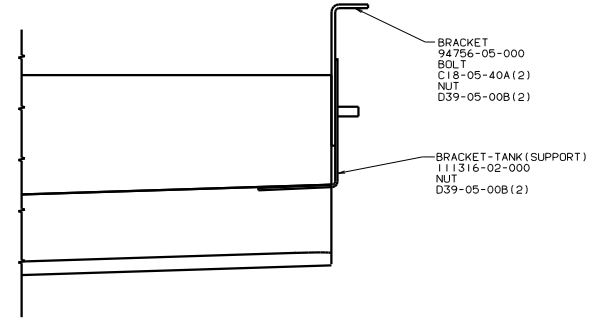
0
 FRONT AXLE



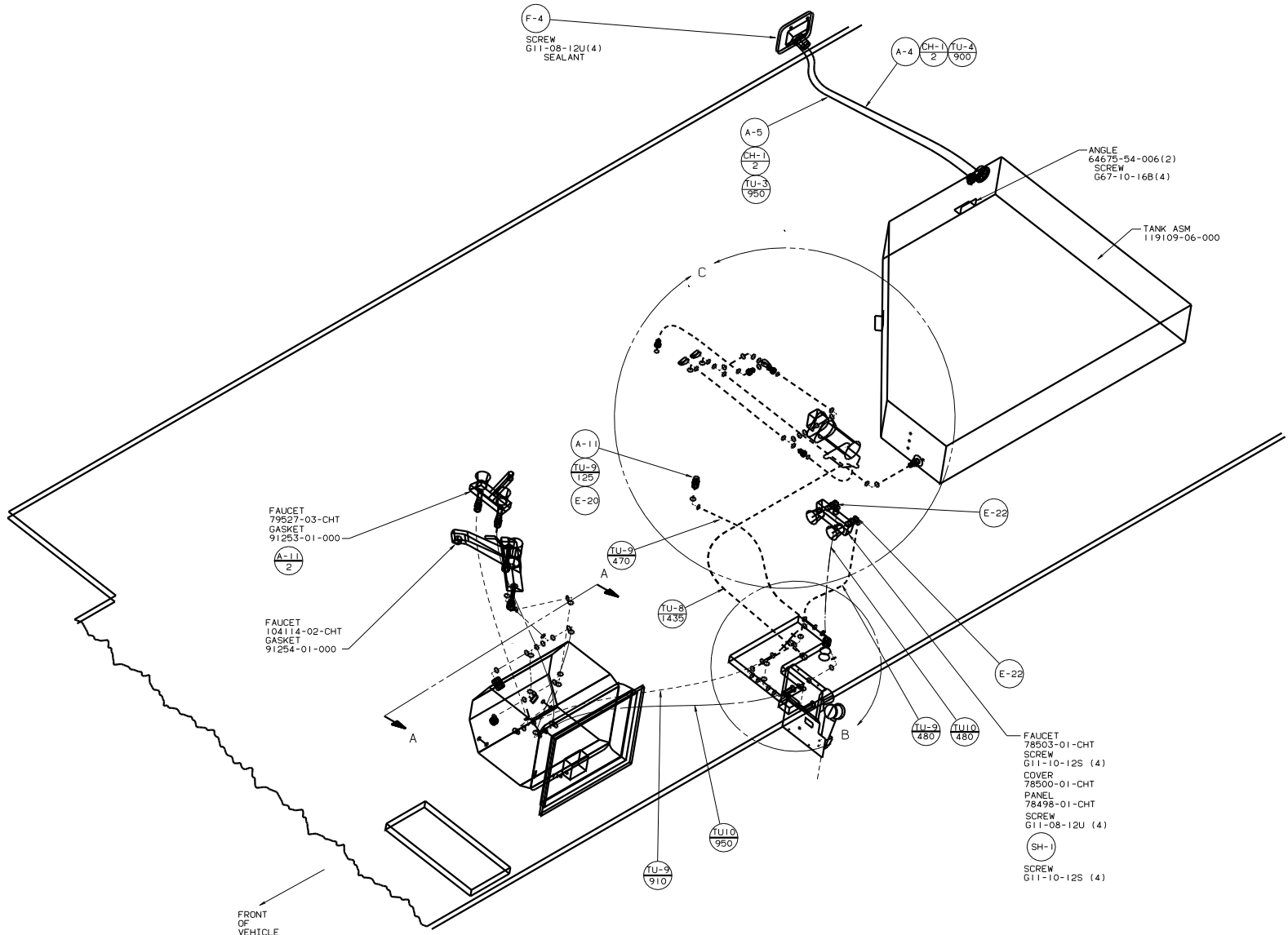
- 12 USE WITH CSA.
 11 NOT USED ON CANADIAN UNITS.
 10 TRIM P-TRAP TO FIT.
- SECURE VENT TUBES TO FLOOR WITH BRACKET 95061-01-000 (2), CLAMP 62401-02-000, PLATE COVER 94346-03-000, SCREW 667-10-12B (2), AND STAPLE 5403-03-000.
 - VENT PIPE MUST PROJECT 51 MM MIN AND 63.5 MM MAX ABOVE ROOF FOR PROPER FIT AND FUNCTION.
 - SEE DWG 61607-01-000 FOR INSTL OF GROMMETS.
 - SEAL ALL AROUND SHOWER WITH SILICONE.
 - FOR CAN UNITS EACH HOLDING TANK SHALL HAVE A CSA APPROVAL STAMPED NEAR THE TAMPO APPROVAL.
 - ALL EXTERIOR OPENINGS AROUND PIPE TO BE SEALED WITH 110744-01-000.
 - ALL PIPE AND FITTINGS TO BE ASSEMBLED WITH SOLVENT 4020-01-000.
 - SLOPE OF TRAP ARM MUST BE 6 PER 305 MINIMUM.
 - SLOPE OF HORIZONTAL PIPING TO BE 6 PER 305 MINIMUM.

X-X FOR DRAINAGE CALLOUTS SEE DWG NO. 116229-01-000

WINNEBAGO 96 431W0			
OF IN	DATE	UNSPECIFIED TOLERANCES ARE:	MATERIAL
CHP	DATE	WHOLE DIM (Ø)	
PIE	DATE	ONE-PLACE (Ø, Ø1)	
D/E	DATE	TWO-PLACE (Ø, Ø1)	
DATE	DATE	ANGLE	
DATE	DATE	THRU HOLE	
DATE	DATE	PROJECTION	
LANST 431W06	TITLE	DRAINAGE SYSTEM INSTL	
SHEET 1 OF 2	SCALE 6:1	NO. THE SCALE DIMENS	DRG NO 121394
ALL DIMENSIONS ARE IN MILLIMETERS			



VIEW A-A



X-X		FOR WATER CALLOUTS SEE DWG NO. 116230-01-000	
WINNEBAGO 97 431W0			
OF IN	DATE	UNSPECIFIED TOLERANCES ARE:	MATERIAL
CHP	DATE	WHOLE DIMS (IN) : ± .1	
DFE	DATE	ONE-PLACE (IN) : .1	
D/E	DATE	TWO-PLACE (IN) : .03	
DATE	DATE	ANGLE	
DATE	DATE	INDUS. WAGLE PRODUCTION	
DATE	DATE		
LAYOUT NO. 431W0	TITLE: WATER SYSTEM INSTL	SHEET 1 OF 2	DWG NO. 123311
REV #	SCALE: 0.2	DATE	DESIGNED BY

LEGEND	
HOT	—————
COLD	—————

- (S) USE WITHOUT MOTOR AID.
- (A) USE WITH MOTOR AID.

3. ALL TUBING TO BE SECURED AT 1200 INTERVALS MAX WITH CLAMP 10495-01-000 OR CLIP 91951-01-000 AND SCREW G67-10-12B.
2. TUBING TO BE INSTALLED WITH SUFFICIENT SLOPE TO PROVIDE DRAINAGE TO NEAREST VALVE.
1. PLASTIC FITTINGS TO BE SEALED WITH SEALANT 84456-01-000.

