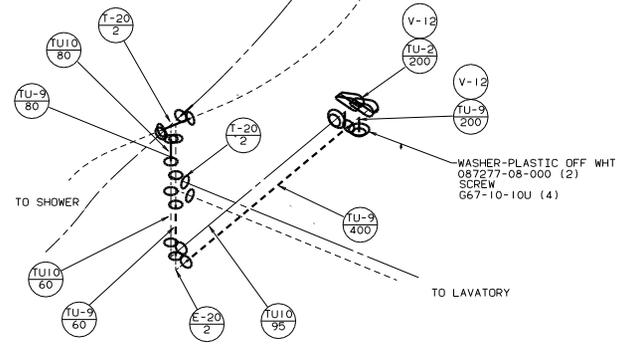
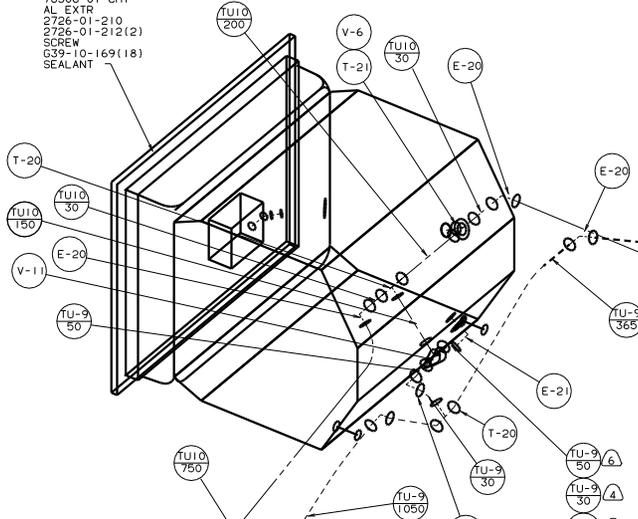
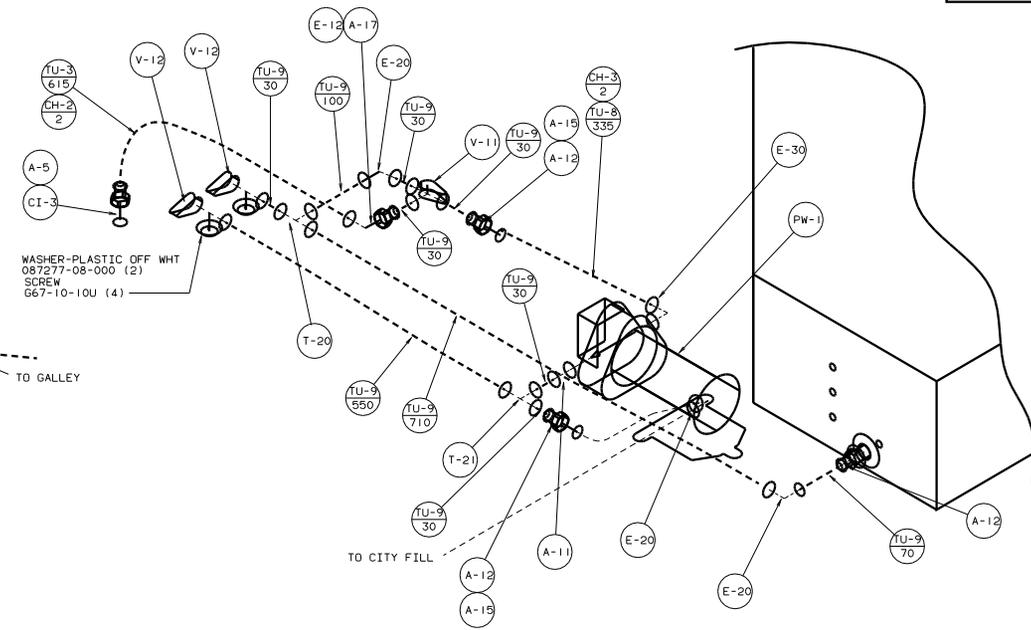


- WATER HEATER
- 51391-01-000
- (MANUAL IGNITION)
- 51391-02-000
- (ELECTRONIC IGNITION)
- 51391-03-000
- (W/MOTOR AID)
- DOOR
- 78506-01-CHT
- AL EXTR
- 2726-01-210
- 2726-01-212(2)
- SCREW
- G39-10-169(18)
- SEALANT



VIEW A-A

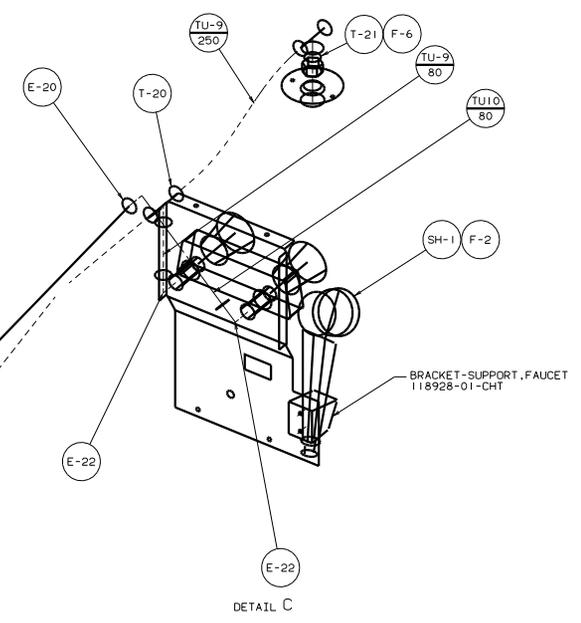


WASHER-PLASTIC OFF WHT
087277-08-000 (2)
SCREW
G67-10-10U (4)

TO GALLEY

TO CITY FILL

DETAIL B



DETAIL C

97 429WU

TITLE		WATER SYSTEM INSTL	
NO	SCALE	REV	DATE
2		1	
SHEET 2 OF 2		123097	