

CADDY-SHOWER  
 105707-01-CHT  
 PANEL-REINF  
 102028-03-000  
 TAPE  
 76322-01-000  
 SCREW  
 611-08-12B (16)  
 COVER  
 78500-01-CHT (16)

SHOWER PAN  
 101435-01-CHT  
 STRAINER  
 66729-01-000  
 SEALER  
 69640-01-000  
 NUT  
 66435-01-000  
 WASHER  
 69735-01-000  
 TAILPIECE  
 11069-06-000

SINK  
 104113-01-000  
 STRAINER  
 66437-01-000 (2)  
 SEALANT  
 69640-01-000  
 RETAINER  
 105497-01-000 (6)  
 SCREW  
 667-10-12G (22)

TANK-HOLDING, 42 GAL  
 102762-05-000  
 CRADLE ASM  
 103227-02-000

TANK-HOLDING, 32 GAL  
 123803-02-000  
 CRADLE ASM  
 103227-08-000

11. NOT USED ON CANADIAN UNITS.
10. TRIM P-TRAP TO FIT.
9. SECURE VENT TUBES TO FLOOR WITH BRACKET 95061-01-000 (2), CLAMP 62401-02-000, PLATE COVER 94346-03-000, SCREW 667-10-12B (2), AND STAPLE 5403-03-000.
8. VENT PIPE MUST PROJECT 51 MIN AND 63.5 MAX ABOVE ROOF FOR PROPER FIT AND FUNCTION.
7. SEE DWG 61607-01-000 FOR INSTL OF GROMMETS.
6. SEAL ALL AROUND SHOWER WITH SILICONE.
5. FOR CAN UNITS EACH HOLDING TANK SHALL HAVE A CSA APPROVAL STAMPED NEAR THE TAMPO APPROVAL.
4. ALL EXTERIOR OPENINGS AROUND PIPE TO BE SEALED WITH 110744-01-000.
3. ALL PIPE AND FITTINGS TO BE ASSEMBLED WITH SOLVENT 4020-01-000.
2. SLOPE OF TRAP ARM MUST BE 6 PER 305 MINIMUM.
1. SLOPE OF HORIZONTAL PIPING TO BE 6 PER 305 MINIMUM.

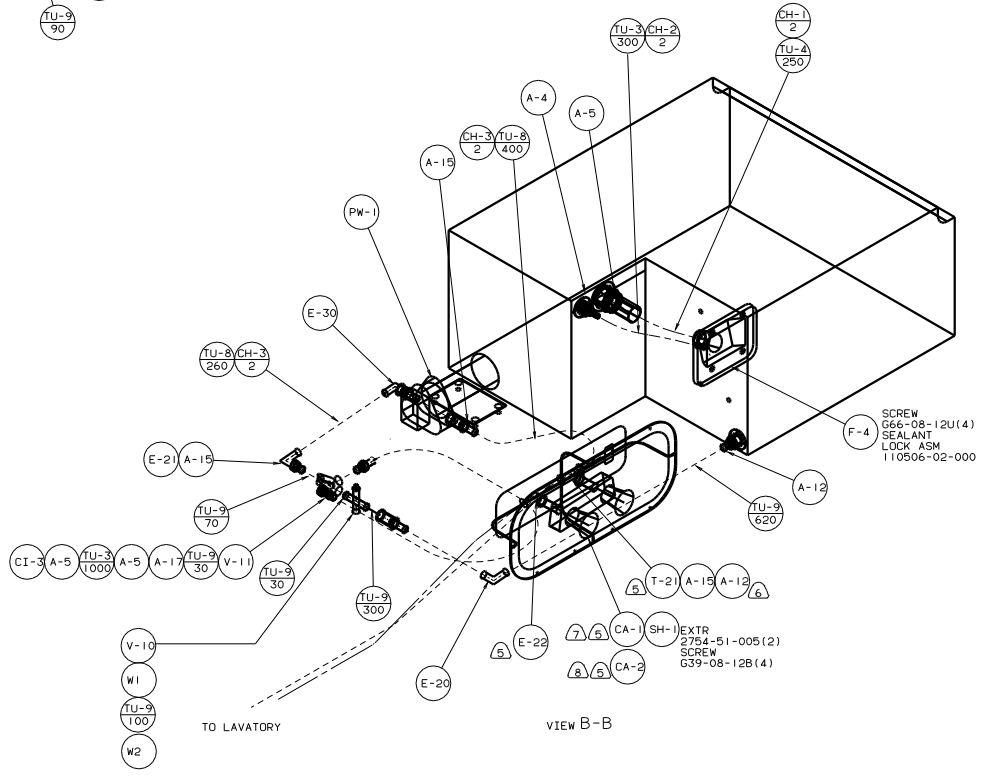
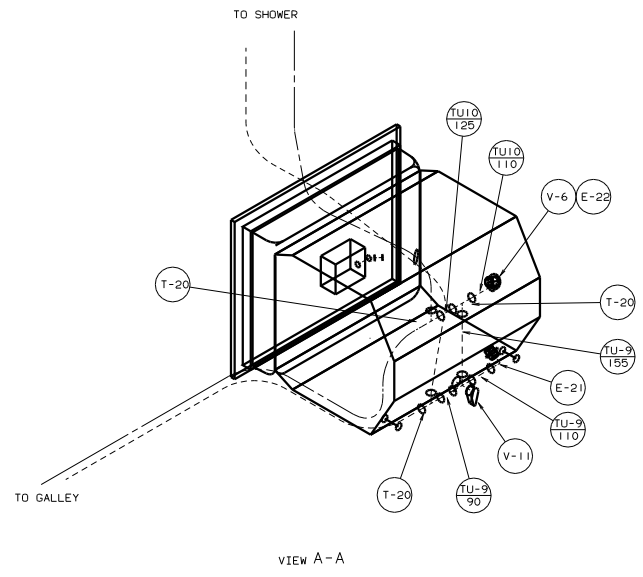
FRONT OF VEHICLE

FOR DRAINAGE CALL OUTS SEE DWG NO. 116229-01-000

WINNEBAGO		97 331WU
DATE	UNDESIGNED TOLERANCES ARE:	MATERIAL:
DATE	WHOLE DIM (1:1)	+
DATE	FRACTIONAL DIM (1:1)	+
DATE	DECIMAL DIM (1:1)	+
DATE	ANGLE	+
DATE	THREAD MAKE	+
DATE	PROJECTION	+
LAYER 331RU	TITLE	DRAINAGE SYSTEM INSTL
DESIGN SCALE: NONE	NO SCALE FOR PIPING	NO
ALL DIMENSIONS ARE IN MILLIMETERS	SHEET 1 OF 2	124256







97 331WU

TITLE		97 331WU	
WATER SYSTEM INSTL		124644	
NO. OF SHEETS	TOTAL SHEETS	DATE	REV.
2	2		1
SHEET	2 OF 2		